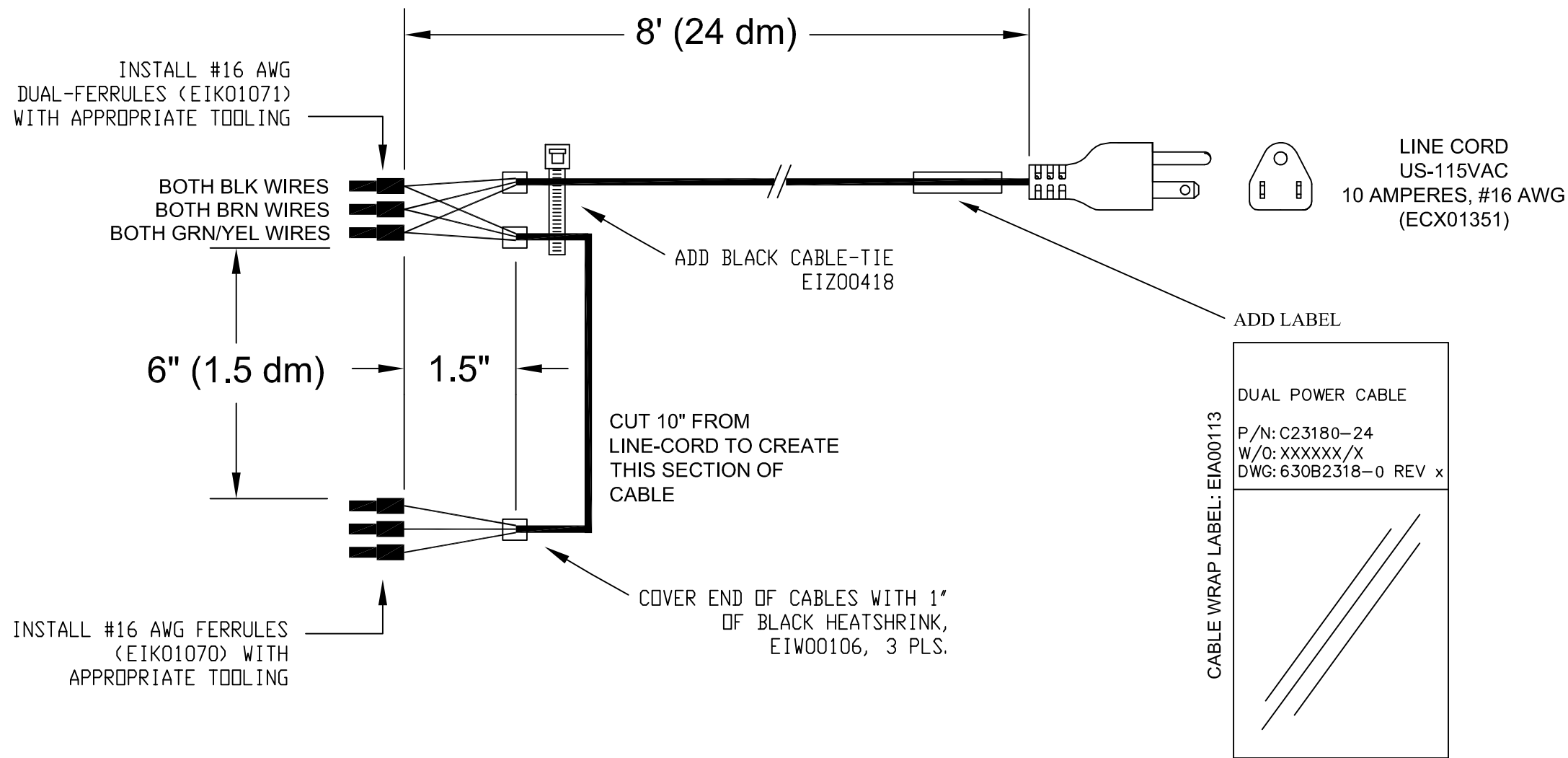


REVISIONS			
REV.	DESCRIPTION	DRAWN	DATE



LINE CORD
US-115VAC
10 AMPERES, #16 AWG
(ECX01351)

ADD LABEL

CABLE WRAP LABEL: EIA00113	DUAL POWER CABLE
	P/N: C23180-24
	W/O: XXXXXX/X
	DWG: 630B2318-0 REV x

PROPRIETARY INFORMATION THIS DRAWING IS THE PROPERTY OF AEROTECH, INC. AND IS SUBMITTED IN CONFIDENCE AND SHALL NOT BE REPRODUCED NOR COPIED NOR DISCLOSED TO OTHERS UNDER PENALTY OF LAW.											
TOLERANCES ON <table border="1"> <thead> <tr> <th>FRACTIONS</th> <th>DECIMALS</th> <th>ANGLES</th> </tr> </thead> <tbody> <tr> <td>0 TO 6 ±1/32</td> <td>.XX ±01</td> <td>± 0-30'</td> </tr> <tr> <td>OVER 6 ±1/16</td> <td>.XXX ±005</td> <td></td> </tr> </tbody> </table>			FRACTIONS	DECIMALS	ANGLES	0 TO 6 ±1/32	.XX ±01	± 0-30'	OVER 6 ±1/16	.XXX ±005	
FRACTIONS	DECIMALS	ANGLES									
0 TO 6 ±1/32	.XX ±01	± 0-30'									
OVER 6 ±1/16	.XXX ±005										
RMS FINISH		EXCEPT AS NOTED									
DRAWN	11/9/2010	JFM									
CHECKED	11/10/2010	AGS									

	AEROTECH, INC. 101 Zeta Drive Pittsburgh, PA. 15238 (412)963-7470 www.aerotech.com	
	DUAL POWER CABLE (6" Split) 115 VAC, 10 Ampere (Control and Bus Power)	

PART CODE		SIZE	630B2318-0	REV. -
C23180-24		B		