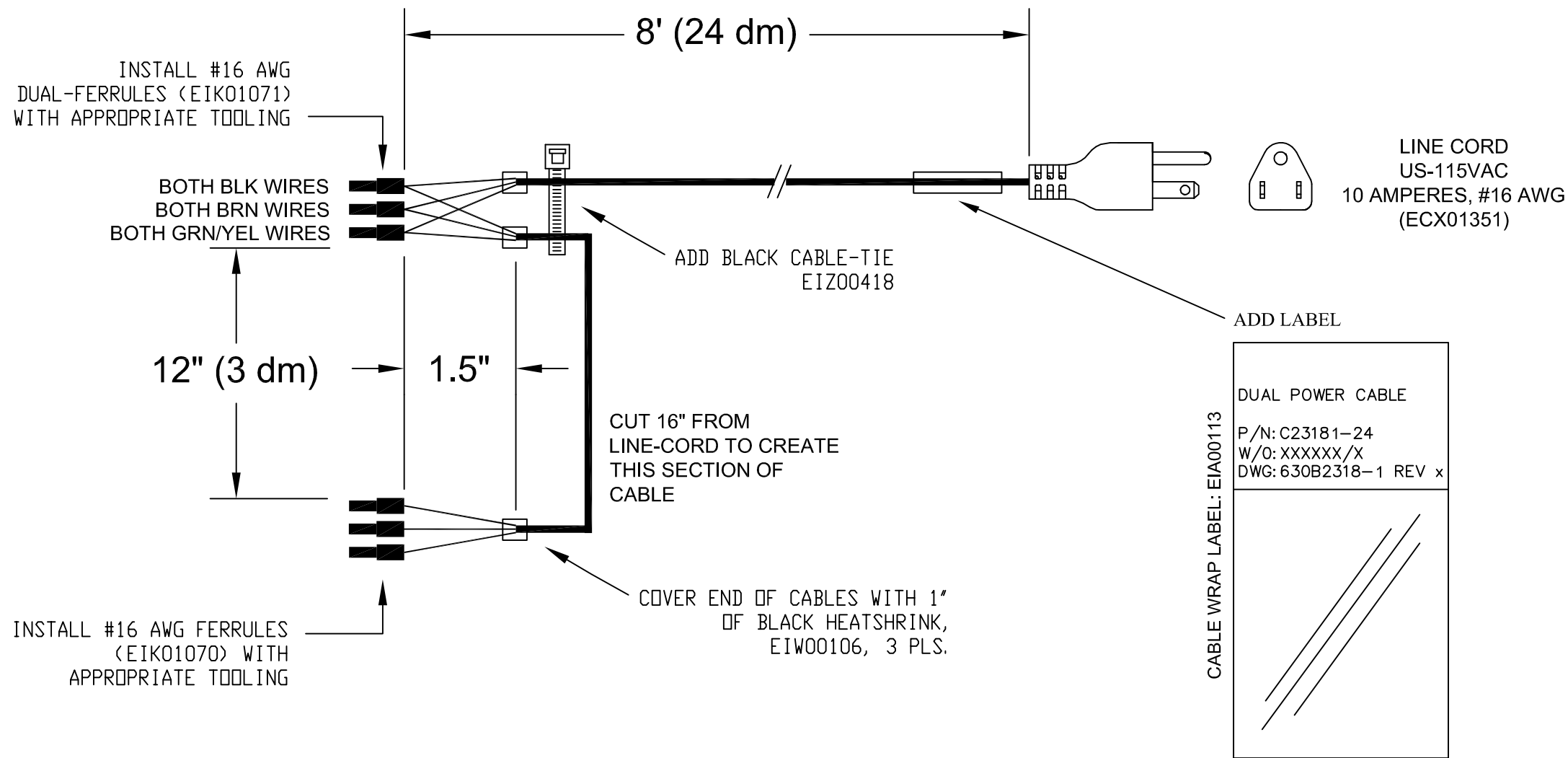


| REVISIONS | | | |
|-----------|-------------|-------|------|
| REV. | DESCRIPTION | DRAWN | DATE |
| | | | |



PROPRIETARY INFORMATION
THIS DRAWING IS THE PROPERTY OF AEROTECH, INC. AND IS SUBMITTED IN CONFIDENCE AND SHALL NOT BE REPRODUCED NOR COPIED NOR DISCLOSED TO OTHERS UNDER PENALTY OF LAW.



AEROTECH, INC. 101 Zeta Drive
Pittsburgh, PA. 15238
(412)963-7470
www.aerotech.com

| TOLERANCES ON | | |
|---------------|-----------|---------|
| FRACTIONS | DECIMALS | ANGLES |
| 0 TO 6 ±1/32 | .XX ±01 | ± 0-30' |
| OVER 6 ±1/16 | .XXX ±005 | |

RMS FINISH EXCEPT AS NOTED

DUAL POWER CABLE (12" Split) 115 VAC, 10 Ampere (Control and Bus Power)

| | | |
|---------|------------|-----|
| DRAWN | 11/9/2010 | JFM |
| CHECKED | 11/10/2010 | AGS |

| | | |
|-------------------|------|------|
| PART CODE | SIZE | REV. |
| C23181-24 | B | - |
| 630B2318-1 | | |