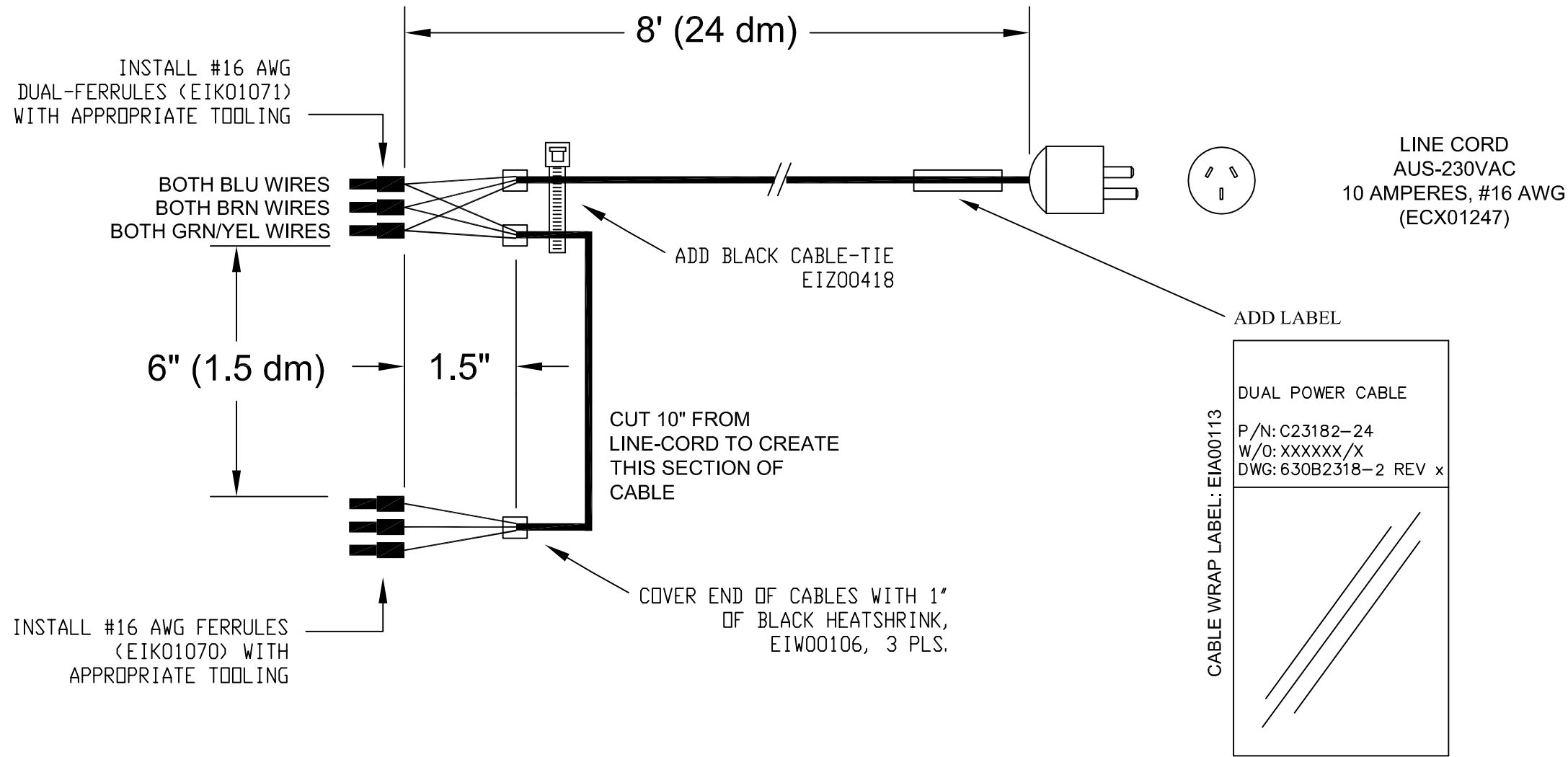


REVISIONS			
REV.	DESCRIPTION	DRAWN	DATE



CABLE WRAP LABEL: EIA00113

DUAL POWER CABLE
P/N: C23182-24
W/O: XXXXXX/X
DWG: 630B2318-2 REV x

PROPRIETARY INFORMATION
THIS DRAWING IS THE PROPERTY
OF AEROTECH, INC. AND IS
SUBMITTED IN CONFIDENCE AND
SHALL NOT BE REPRODUCED NOR
COPIED NOR DISCLOSED TO OTHERS
UNDER PENALTY OF LAW.

AEROTECH®
AEROTECH, INC. 101 Zeta Drive
Pittsburgh, PA. 15238
(412)963-7470
www.aerotech.com

TOLERANCES ON

FRACTIONS	DECIMALS	ANGLES
0 TO 6 ±1/32	.XX ±01	± 0-30'
OVER 6 ±1/16	.XXX ±005	

**DUAL POWER CABLE (6" Split)
230 VAC, 10 Ampere, Australia
(Control and Bus Power)**

RMS FINISH EXCEPT AS NOTED

DRAWN	6/7/2012	JFM
CHECKED	6/7/2012	AGS
APPD.	6/7/2012	JFM

PART CODE	SIZE	REV.
C23182-24	B	-
SCALE ~		FILE NAME 630B2318-201.Dwg
SHEET 1 OF 1		

630B2318-2