

REVISIONS		DATE	APPROVAL
REV.	DESCRIPTION		

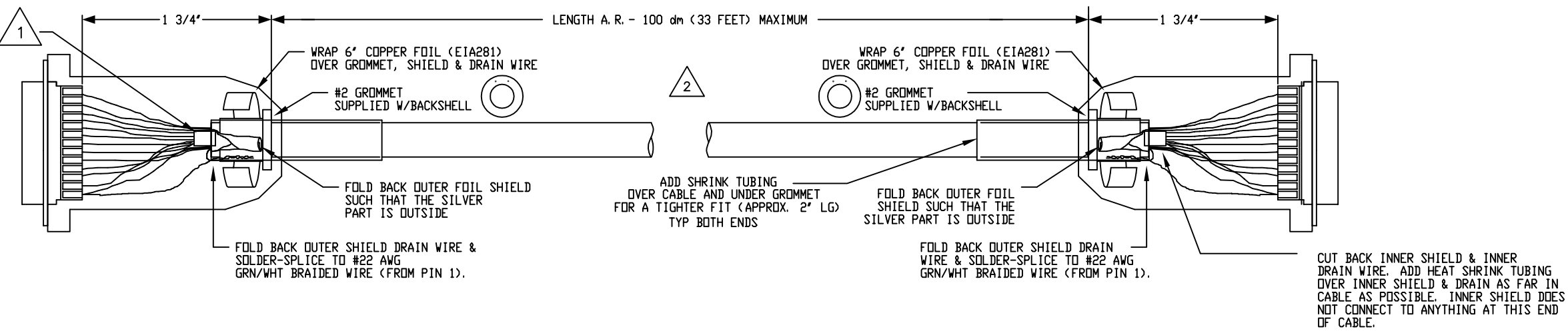
25 PIN MALE D-STYLE, ECK00786  
BACKSHELL, ECK00656

PIN	WIRE	SIGNAL
13	BLU/BLK	BRAKE-
12	WHT	CW/+ LMT
11	GRY/RED	HALL C
10	GRY/BLK	HALL A
9	-	-
8	WHT/ORN	DATA-
7	BRN	CLOCK+
6	WHT/BRN	CLOCK-
5	WHT/GRY	HALL B
4	-	-
3	#22 VIO	ENC +5V
	#22 WHT/VIO	ENC +5V
2	BLK	THERMISTOR
1	#22 GRN/WHT	OUTER SHIELD
14	-	-
15	-	-
16	#24 BLK/ORN	LMT +5V
	#24 RED/ORN	LMT +5V
17	-	-
18	-	-
19	ORN	DATA+
20	#22 RED/BLK	LMT COM
	SHIELD	SHIELD
21	#22 GRN	ENC COM
	#22 WHT/GRN	ENC COM
22	PINK	ID / HM LMT
23	-	-
24	GRY	CCW/- LMT
25	BLU	BRAKE+

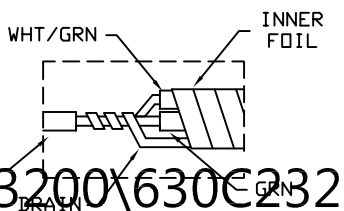
25 PIN FEMALE D-STYLE, ECK00789  
BACKSHELL, ECK00656

SIGNAL	WIRE	SOCKET
OUTER SHIELD	#22 GRN/WHT	1
THERMISTOR	BLK	2
ENC +5V	#22 WHT/VIO	3
ENC +5V	#22 VIO	
-	-	-
HALL B	WHT/GRY	5
CLOCK-	WHT/BRN	6
CLOCK+	BRN	7
DATA-	WHT/ORN	8
-	-	-
HALL A	GRY/BLK	10
HALL C	GRY/RED	11
CW/+ LMT	WHT	12
BRAKE-	BLU/BLK	13
-	-	-
BRAKE+	BLU	25
CCW/- LMT	GRY	24
-	-	-
ID / HM LMT	PINK	22
ENC COM	#22 GRN	21
ENC COM	#22 WHT/GRN	
LMT COM	#22 RED/BLK	20
DATA+	ORN	19
-	-	-
-	-	-
LMT +5V	#24 RED/ORN	16
LMT +5V	#24 BLK/ORN	
-	-	-
-	-	-
INNER SHIELD	INNER SHIELD	N.C.

26 COND., ECX01182  
UNUSED WIRES: RED W/RED,  
YEL, W/YEL, GRN/BLK, YEL/BLK

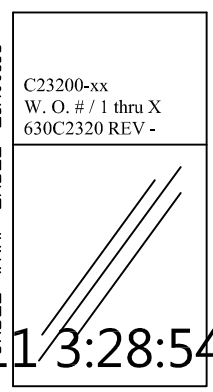


- 3 FOR CRIMP TOOL USE AMP HANDLE ASSY 58074-1, WITH AMP HEAD ASSY 58063-2
- 2 STARTING CABLE LENGTH = 6' LONGER THAN REQUIRED LENGTH.
- 1 UNWRAP INNER FOIL SHIELD AS FAR BACK AS POSSIBLE. SEPARATE GREEN WIRE INSULATION. SOLDER-SPLICE WHT/GRN & INNER DRAIN WIRE TO GREEN WIRE. WRAP INNER FOIL SHIELD OVER SOLDER-SPLICE. COVER INNER BUNDLE, SPLICE & INNER SHIELD WITH SHRINK TUBING AS FAR IN CABLE AS POSSIBLE. CONNECT GREEN WIRE TO PIN 21.



LABELS:  
2 REQUIRED,  
(1 AT EACH END)


CABLE WRAP LABEL: EIA00113



PROPRIETARY INFORMATION  
THIS DRAWING IS THE PROPERTY  
OF AEROTECH, INC. AND IS  
SUBMITTED IN CONFIDENCE AND  
SHALL NOT BE REPRODUCED NOR  
COPIED NOR DISCLOSED TO OTHERS  
UNDER PENALTY OF LAW.

TOLERANCES ON		
FRACTIONS	DECIMALS	ANGLES
0 TO 6 ± 1/32	.XX ± .01	± 0-30'
OVER 6 ± 1/16	.XXX ± .005	

RMS FINISH	✓	EXCEPT AS NOTED
DRAWN	6/8/2011	JFM
CHG. BY	6/9/2011	AGS
APPD.	6/9/2011	JFM



® AEROTECH, INC. 101 Zeta Drive  
Pittsburgh, PA. 15238  
(412) 963-7470 TWX710-795-3125

**ABSOLUTE FEEDBACK CABLE  
(RESOLUTE ENCODER)**

CABLE: ABS FB-25DU-25DU-MAX100DM

PART CODE	SIZE	REV.
C23200	C	-

SCALE NTS	FILE NAME	SHEET
	630C232001.Dwg	1 OF 1