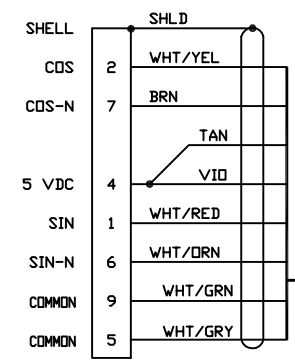


REVISIONS				
SYN.	ZONE	DESCRIPTION	DATE	APPROVAL

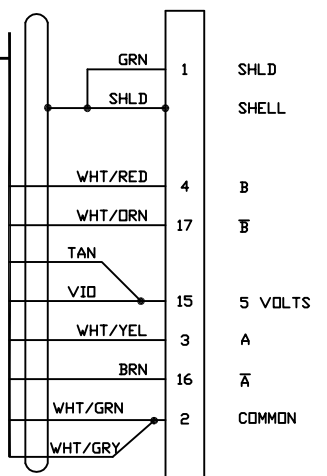
DO NOT REVISE THIS .DWG.
 REVISE 630D2327-001.DWG AND RECREATE -1, -2, -3, -7 AND -8 .DWG'S.
 COPY REVISION LETTER FROM 630D2327-001.DWG TO ALL -1 THRU -7 .DWG'S

TO:
MR CHASSIS
AXIS AUX ENCODER

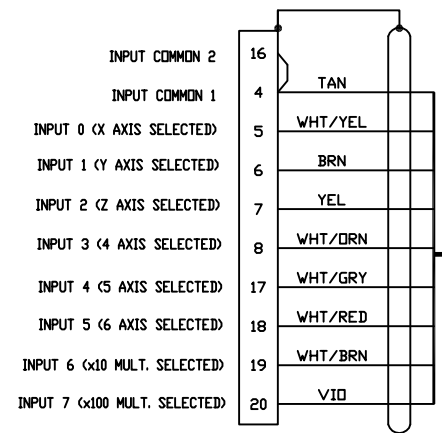


DE-9P MALE SOLDER CUP (ECK00137)
 BACKSHELL+SCREWS (ECK01021)

ECX00428
 10 COND, #22
 30 DM (10 FEET OR A.R.) LENGTH
 UNUSED: WHT/BRN, YEL

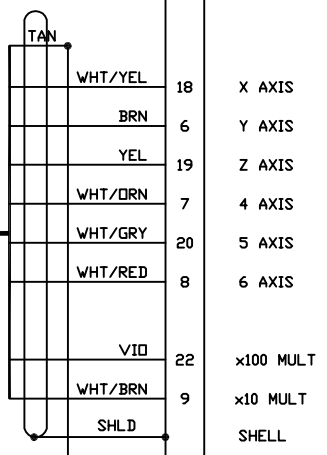


TO:
MR CHASSIS
AXIS
DIGITAL / ANALOG
IO

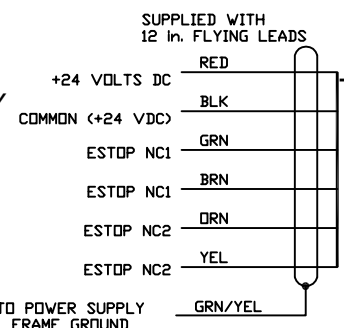


D-25P MALE SOLDER CUP (ECK00101)
 BACKSHELL (ECK00656)

ECX00428
 10 COND, #22
 30 DM (10 FEET OR A.R.) LENGTH

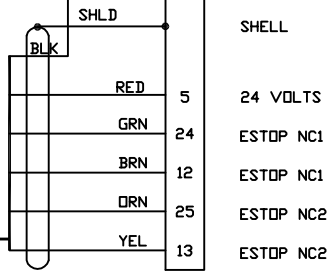


TO POWER SUPPLY
(OPT. BRAKE24-2)
AND
E-STOP RELAY

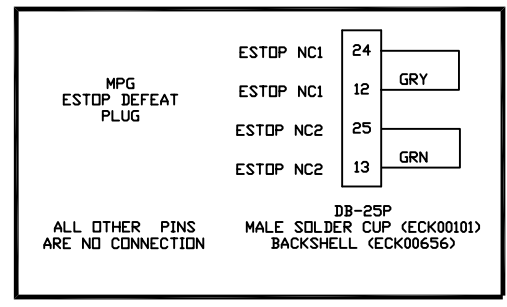


TO POWER SUPPLY
FRAME GROUND

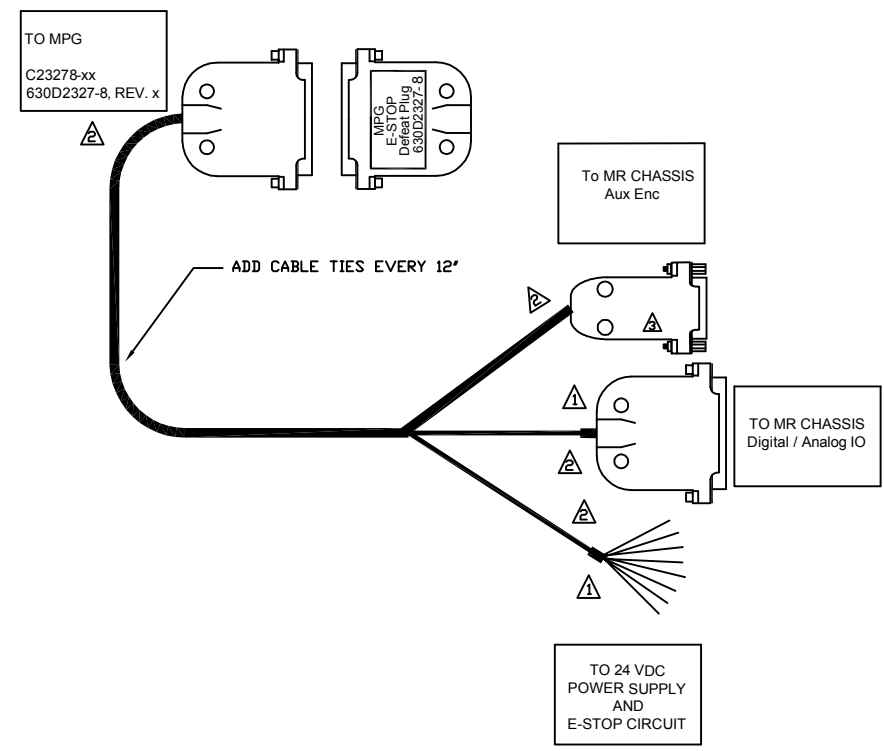
ECX00570
 8 COND, #24
 30 DM (10 FEET) OR A.R. LENGTH
 UNUSED: WHT, BLU



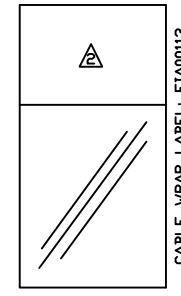
DB-25S FEMALE IDC
 D-STYLE CONNECTOR
 (ECK789)
 BACKSHELL (ECK656)
 JACKS SOCKETS (ECK129)



DB-25P
 MALE SOLDER CUP (ECK00101)
 BACKSHELL (ECK00656)



- ⚠ LABEL CONNECTOR WITH EIA01195
- ⚠ LABEL EACH CABLE PER DEFINED TEXT WITH EIA00113
- ⚠ ADD HEATSHRINK OVER END OF CABLE BUNDLE (2 PLS.)



PROPRIETARY INFORMATION THIS DRAWING IS THE PROPERTY OF AEROTECH, INC. AND IS SUBMITTED IN CONFIDENCE AND SHALL NOT BE REPRODUCED NOR COPIED NOR DISCLOSED TO OTHERS UNDER PENALTY OF LAW.				AEROTECH, INC. 101 Zeta Drive Pittsburgh, PA. 15238-2897, USA (412) 963-7470 HTTP://www.Aerotech.com			
TOLERANCES ON FRACTIONS DECIMALS ANGLES 0 TO 6 ± 1/32 .XX ± .01 ± 0-30' OVER 6 ± 1/16 .XXX ± .005				NPAQMR/EPAQMR PENDANT INTERFACE CABLE			
RMS FINISH	EXCEPT AS NOTED	PART CODE	SIZE	REV.			
DRAWN	2/10/2011	TES	C23278-xx	D	630D2327-8		
CHECKED	2/10/2011	AGS	-				
APPD.	2/10/2011	AGS	SCALE NTS	FILE NAME 630D2327-801.Dwg	SHEET 1 of 1		