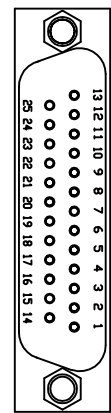
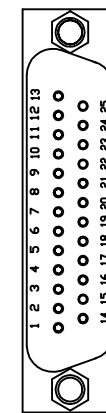
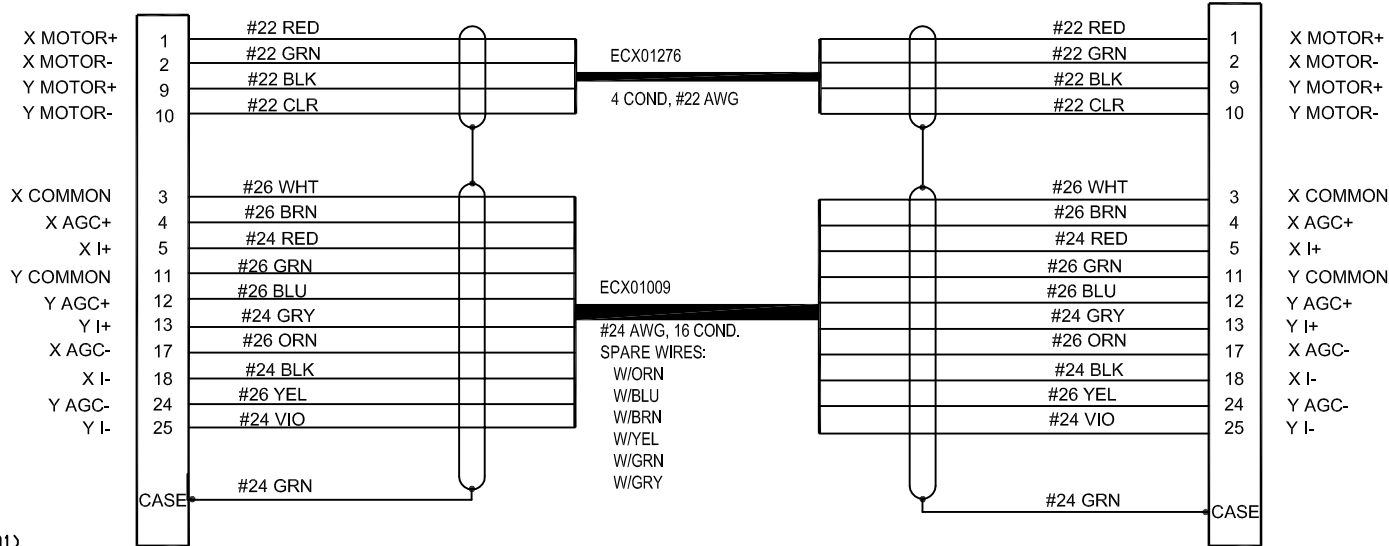


REVISIONS		REV.	DESCRIPTION	DRAWN	DATE



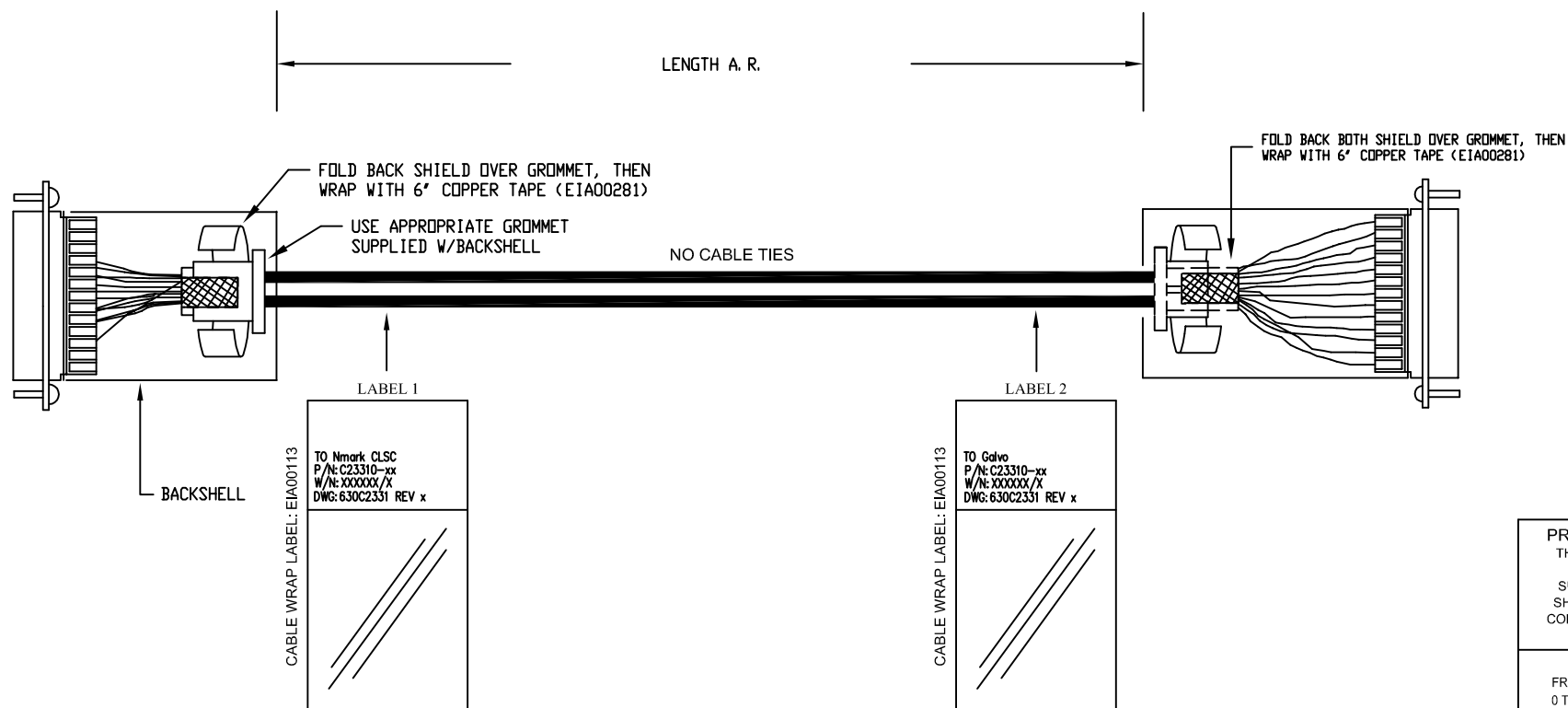
WIRING SIDE VIEW

25 PIN MALE D, DB25P (ECK00101)
BACKSHELL (ECK00656)



WIRING SIDE VIEW

DB25S CONNECTOR (ECK00300)
BACK SHELL (ECK00656)



PROPRIETARY INFORMATION THIS DRAWING IS THE PROPERTY OF AEROTECH, INC. AND IS SUBMITTED IN CONFIDENCE AND SHALL NOT BE REPRODUCED NOR COPIED NOR DISCLOSED TO OTHERS UNDER PENALTY OF LAW.		AEROTECH, INC. 101 Zeta Drive Pittsburgh, PA. 15238 (412)963-7470 www.aerotech.com	
TOLERANCES ON FRACTIONS DECIMALS ANGLES 0 TO 6 ±/32 .XX ±01 ± 0-30° OVER 6 ±1/16 .XXX ±005		CAMBRIDGE LIGHTNING VMPLUS GALVO TO NMARK CLSC CABLE CABLE: GALVO-25DU-25DU-MAX tbd DM	
RMS FINISH	EXCEPT AS NOTED	PART CODE	SIZE
DRAWN	4/26/2011 JFM	C23310-XX	C
CHECKED	4/26/2011 ARW	630C2331	
APPD.	4/26/2011 JFM	SCALE	FILE NAME
		NTS	630C233101.Dwg
		SHEET	1 of 1