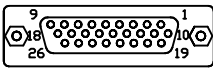


REVISIONS				
REV.	ZONE	DESCRIPTION	DATE	DRAWN

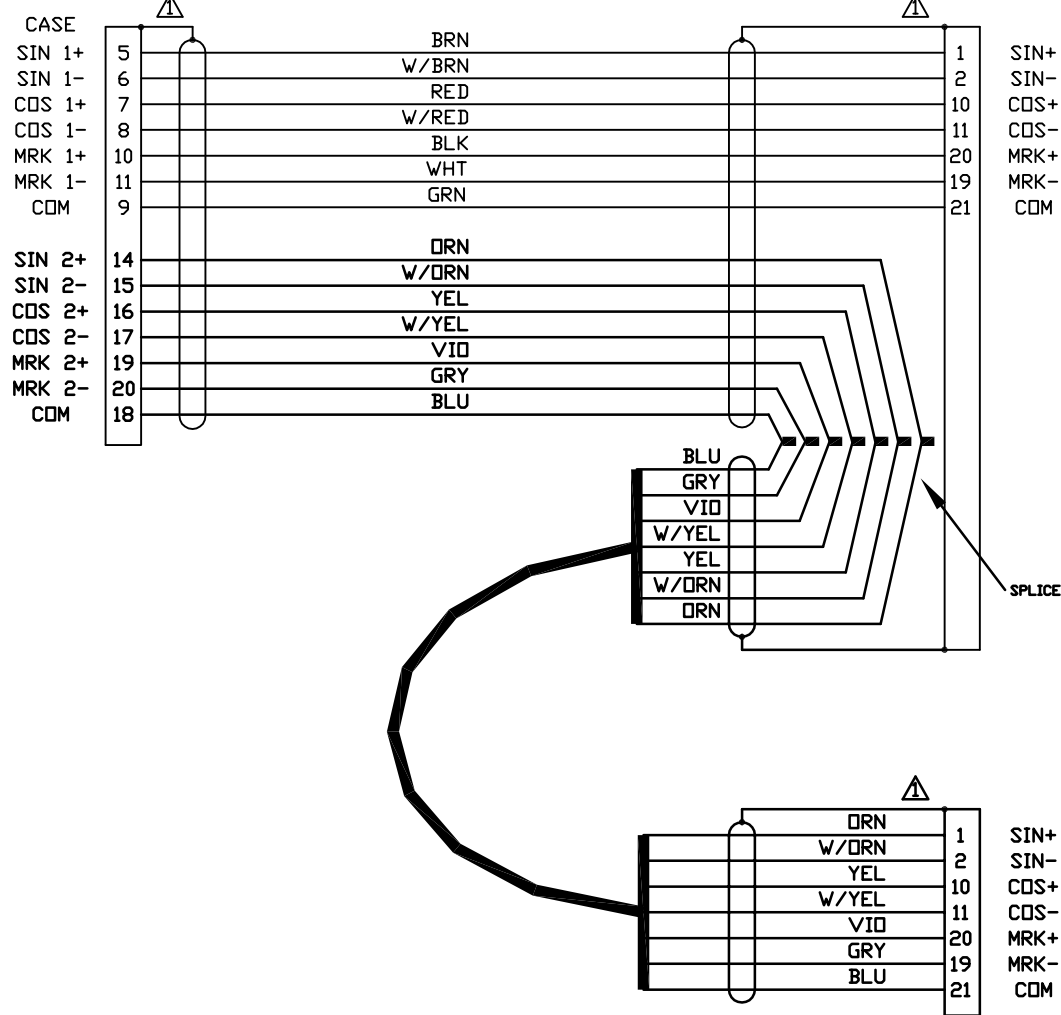
ECX01338  
14 COND. #28  
LENGTH A.R. SEE NOTE 3.

TO  
SENSOR FUSION  
SF-ENC-01 Card

WIRE SIDE VIEW

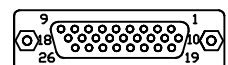


26 HD MALE, ECK01259  
45° BACKSHELL, ECK01173



TO  
CP/CL/HPE/HLE drive  
Aux I/O  
J104

WIRE SIDE VIEW



26 HD MALE, ECK01259  
BACKSHELL, ECK01022

TO  
CP/CL/HPE/HLE drive  
Aux I/O  
J104

**SHIELD TERMINATION**

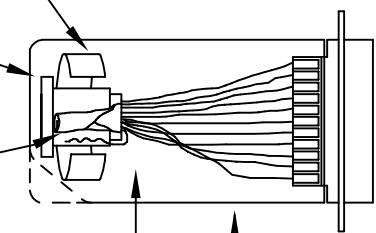
WRAP 6" COPPER FOIL (EIA281)  
OVER GROMMET, SHIELD & DRAIN WIRE

USE APPROPRIATE GROMMET  
SUPPLIED W/BACKSHELL

FOLD BACK FOIL SHIELD  
SUCH THAT THE SILVER  
PART IS OUTSIDE

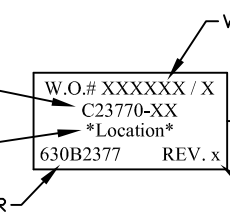
TWIST & FOLD BACK  
SHIELD DRAIN WIRE

BACKSHELL



**LABELS**

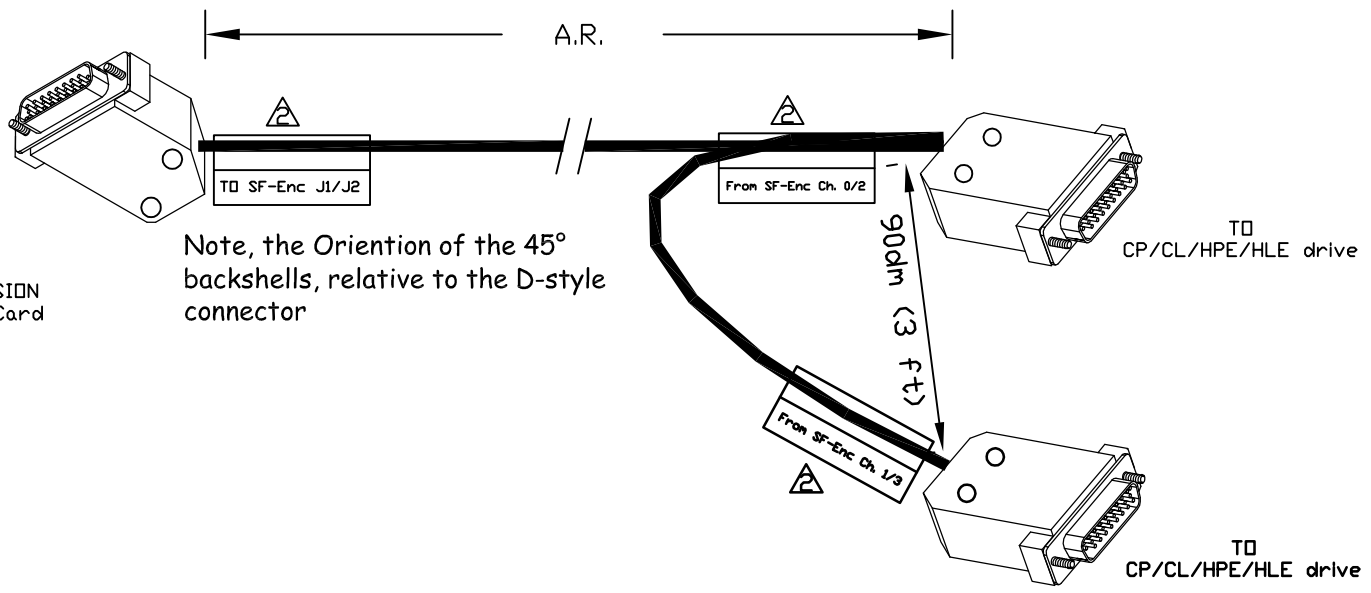
CABLE NAME AND LENGTH  
IN DECIMETERS (XX)  
XX = 1 TO xx  
SEE ASSY VIEW FOR  
\*Location\* TEXT  
DRAWING NUMBER



WORK ORDER #  
PART #: EIA00113  
TEXT STYLE:  
PRESTIGE PICA 10pt  
CURRENT  
REVISION  
LEVEL x

**LENGTH**

CAUTION, CABLE LENGTHS (XX) ARE IN DECIMETERS  
EXAMPLE: C23770-3  
3 = 3 DECIMETERS (300mm) = 1FT.



PROPRIETARY INFORMATION  
THIS DRAWING IS THE PROPERTY  
OF AEROTECH, INC. AND IS  
SUBMITTED IN CONFIDENCE AND  
SHALL NOT BE REPRODUCED NOR  
COPIED NOR DISCLOSED TO OTHERS  
UNDER PENALTY OF LAW.



AEROTECH, INC. 101 Zeta Drive  
Pittsburgh, PA. 15238  
(412)963-7470  
www.aerotech.com

TOLERANCES ON		
FRACTIONS	DECIMALS	ANGLES
0 TO 6 ± 1/32	.XX ± .01	± 0-30'
OVER 6 ± 1/16	.XXX ± .005	

RMS FINISH  EXCEPT AS NOTED

**SENSOR FUSION CABLE**  
**2 ENCODERS FROM 2 CL/CP/HLe/HPe's**  
**SF FB-26HD-26HD-26HD-MAX100DM**

DRAWN	JFM	6/5/2012
CHECKED	AGS	6/5/2012
APPD.	JFM	6/5/2012

PART CODE	SIZE	REV.
C23770	B	-
630B2377		
SCALE NTS	FILE NAME	SHEET
	630B237701.Dwg	1 OF 1