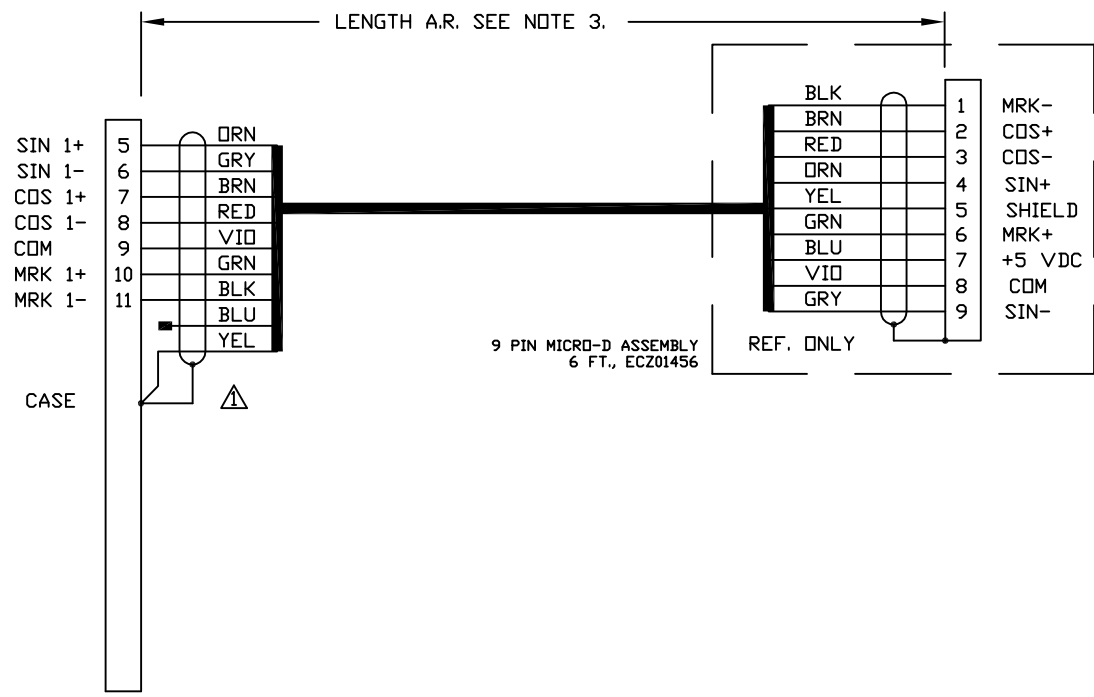
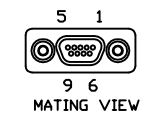


REVISIONS				
REV.	ZONE	DESCRIPTION	DATE	DRAWN

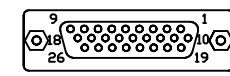


TO
ML/MP drive
Aux Encoder
J201



TO
SENSOR FUSION
SF-ENC-01 Card

WIRE SIDE VIEW



26 HD MALE, ECK01259
45° BACKSHELL, ECK01173

⚠ SHIELD TERMINATION

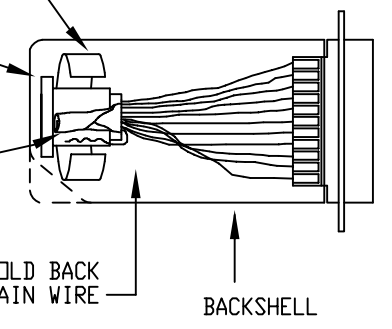
WRAP 6" COPPER FOIL (EIA281)
OVER GROMMET, SHIELD & DRAIN WIRE

USE APPROPRIATE GROMMET
SUPPLIED W/BACKSHELL

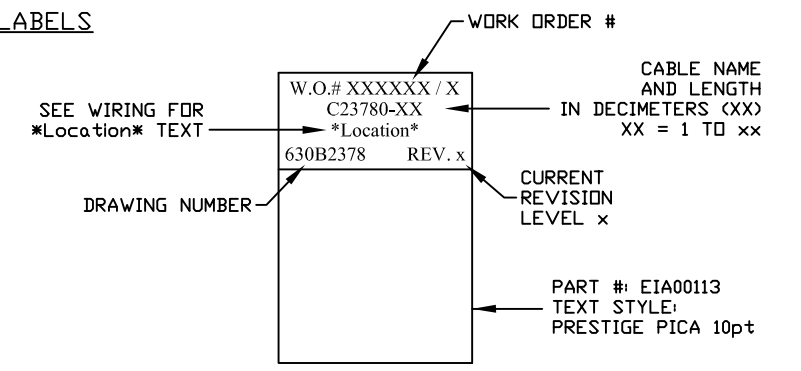
FOLD BACK FOIL SHIELD
SUCH THAT THE SILVER
PART IS OUTSIDE

TWIST & FOLD BACK
SHIELD DRAIN WIRE

BACKSHELL



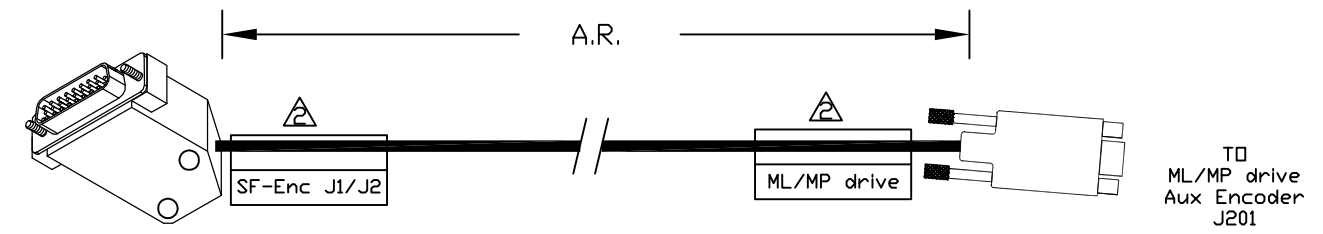
⚠ LABELS



⚠ LENGTH

CAUTION, CABLE LENGTHS (XX) ARE IN DECIMETERS
EXAMPLE: C23780-3
3 = 3 DECIMETERS (300mm) = 1FT.

Note, the Orientation of the 45°
backshell, relative to the D-style
connector



TO
SENSOR FUSION
SF-ENC-01 Card

PROPRIETARY INFORMATION
THIS DRAWING IS THE PROPERTY
OF AEROTECH, INC. AND IS
SUBMITTED IN CONFIDENCE AND
SHALL NOT BE REPRODUCED NOR
COPIED NOR DISCLOSED TO OTHERS
UNDER PENALTY OF LAW.



AEROTECH, INC. 101 Zeta Drive
Pittsburgh, PA. 15238
(412)963-7470
www.aerotech.com

TOLERANCES ON		
FRACTIONS	DECIMALS	ANGLES
0 TO 6 ± 1/32	.XX ± .01	± 0-30'
OVER 6 ± 1/16	.XXX ± .005	

RMS FINISH EXCEPT AS NOTED

SENSOR FUSION CABLE
SINGLE ENCODER INPUT FROM ML / MP
SF FB-26HD-9MD-MAX18DM

DRAWN	JFM	6/5/2012
CHECKED	AGS	6/5/2012
APPD.	JFM	6/5/2012

PART CODE	SIZE	REV.
C23780	B	-
SCALE NTS	FILE NAME	SHEET
	630B237801.Dwg	1 OF 1

630B2378