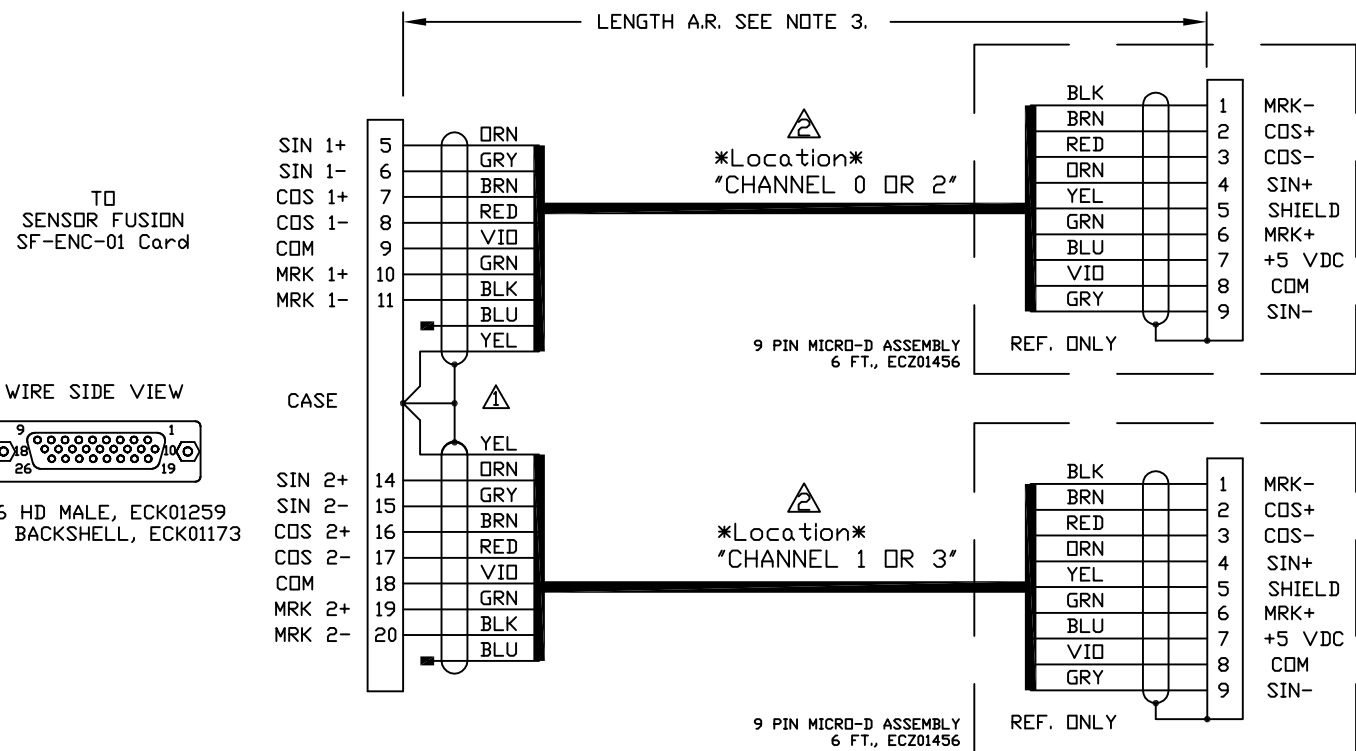


REVISIONS				
REV.	ZONE	DESCRIPTION	DATE	DRAWN



SHIELD TERMINATION

WRAP 6" COPPER FOIL (EIA281)
OVER GROMMET, SHIELD & DRAIN WIRE

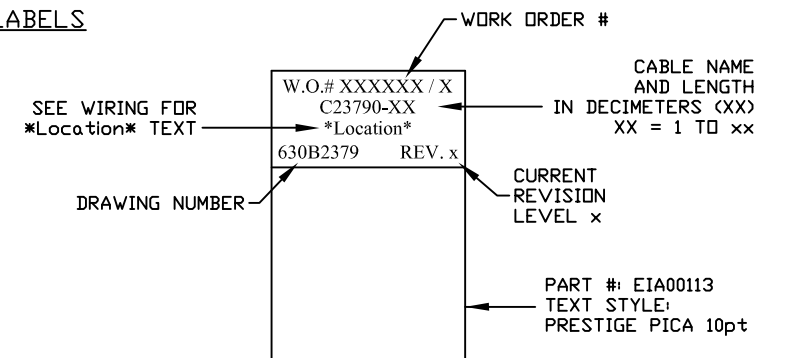
USE APPROPRIATE GROMMET
SUPPLIED W/BACKSHELL

FOLD BACK FOIL SHIELD
SUCH THAT THE SILVER
PART IS OUTSIDE

TWIST & FOLD BACK
SHIELD DRAIN WIRE

BACKSHELL

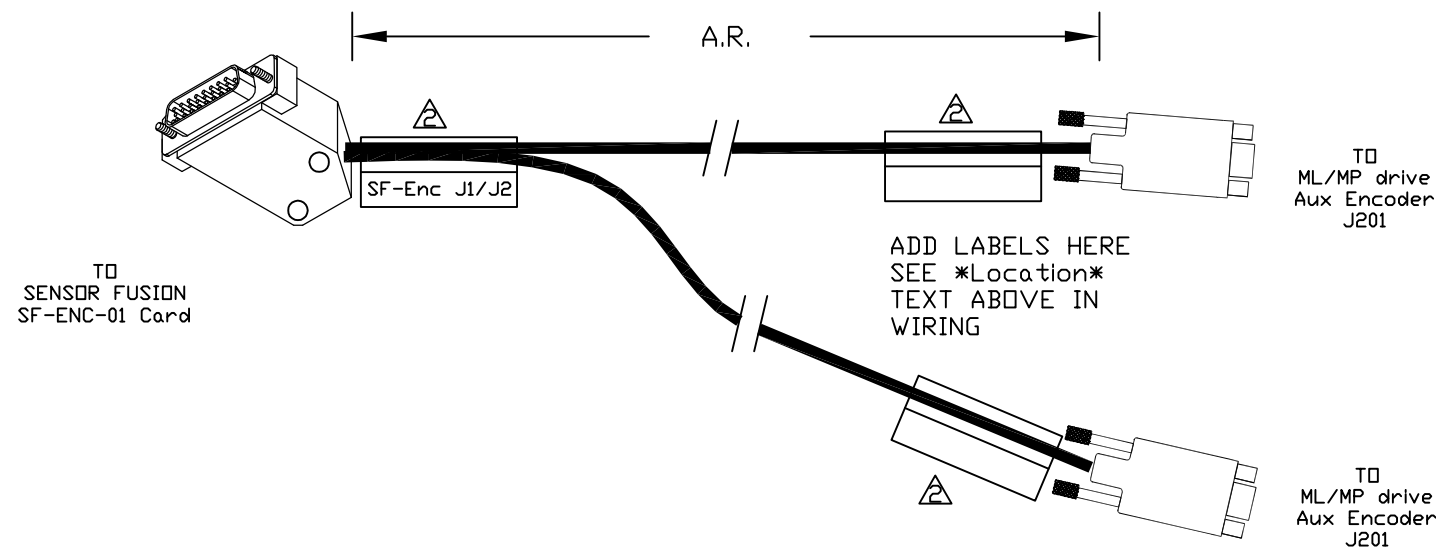
LABELS



LENGTH

CAUTION, CABLE LENGTHS (XX) ARE IN DECIMETERS
EXAMPLE: C23790-3
3 = 3 DECIMETERS (300mm) = 1FT.

Note, the Orientation of the 45°
backshell, relative to the D-style
connector



PROPRIETARY INFORMATION
THIS DRAWING IS THE PROPERTY
OF AEROTECH, INC. AND IS
SUBMITTED IN CONFIDENCE AND
SHALL NOT BE REPRODUCED NOR
COPIED NOR DISCLOSED TO OTHERS
UNDER PENALTY OF LAW.



AEROTECH, INC. 101 Zeta Drive
Pittsburgh, PA. 15238
(412)963-7470
www.aerotech.com

TOLERANCES ON		
FRACTIONS	DECIMALS	ANGLES
0 TO 6 ± 1/32	.XX ± .01	± 0-30'
OVER 6 ± 1/16	.XXX ± .005	

RMS FINISH EXCEPT AS NOTED

**SENSOR FUSION CABLE
DUAL ENCODER INPUT FROM ML / MP
SF FB-26HD-9MD-9MD-MAX18DM**

DRAWN	JFM	6/5/2012
CHECKED	AGS	6/5/2012
APPD.	JFM	6/5/2012

PART CODE	SIZE	REV.
C23790	B	-
SCALE NTS		FILE NAME 630B237901.Dwg
SHEET 1 OF 1		

630B2379