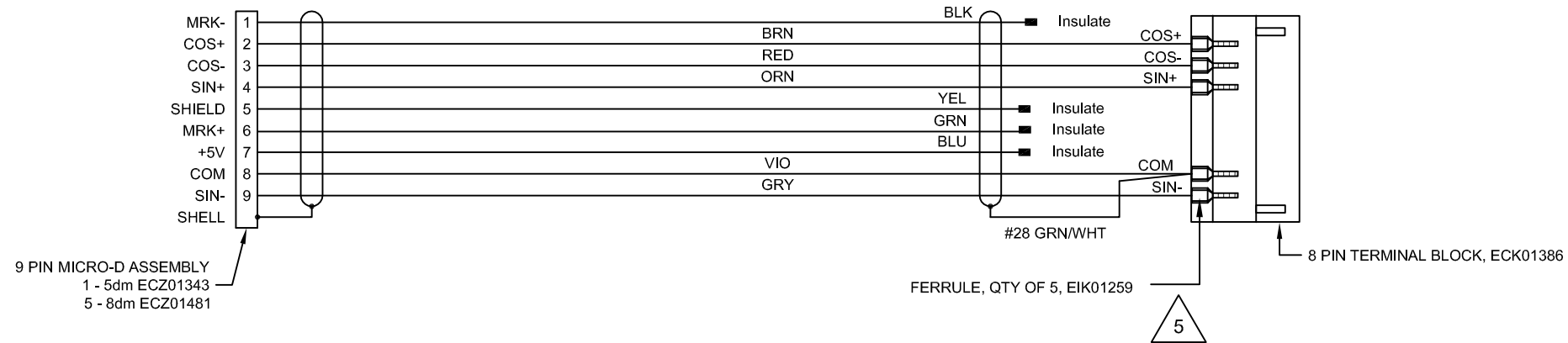


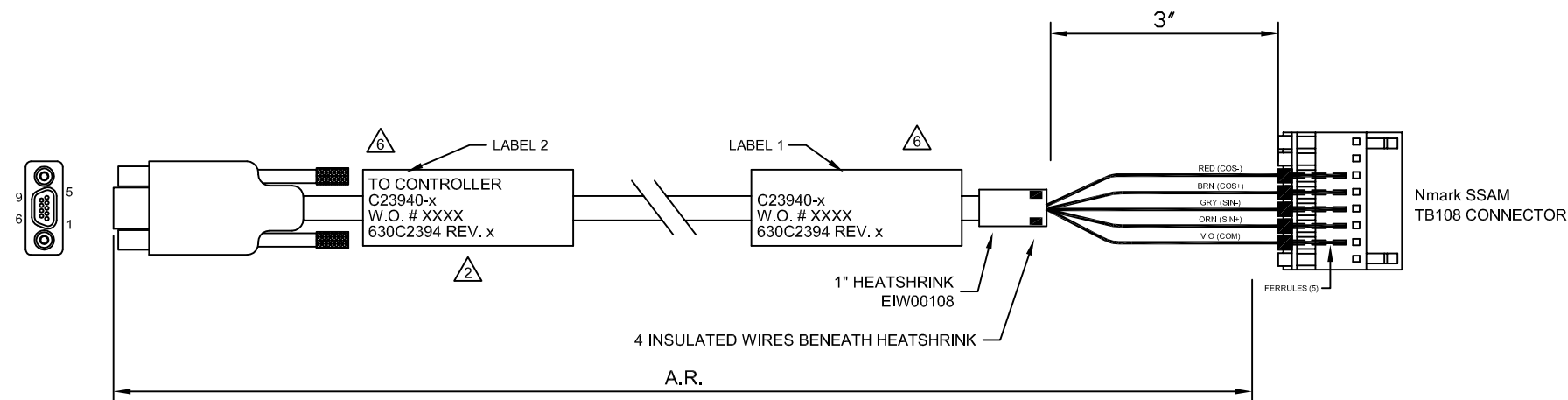
REVISIONS			
REV.	DESCRIPTION	DATE	DRAWN



9 PIN MICRO-D ASSEMBLY
1 - 5dm ECZ01343
5 - 8dm ECZ01481

FERRULE, QTY OF 5, EIK01259

8 PIN TERMINAL BLOCK, ECK01386



5 FERRULE CRIMP TOOL
USE PHOENIX CONTACT CRIMPER "CRIMPFOX 6T-F"

4 CABLE LENGTH
CAUTION, CABLE LENGTHS (XX) ARE IN DECIMETERS
EXAMPLE: C23940-3
3 = 3 DECIMETERS (300mm) = 1 FT. (11.81")

3 SOLDER CONNECTION, COVER WITH HEATSHRINK (EIW00100)
AFTER SOLDERING WIRE TO PIN.

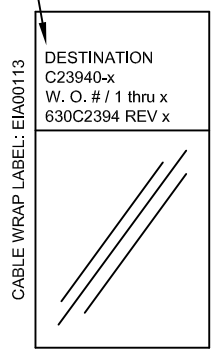
2 STARTING CABLE LENGTH = 6"
LONGER THAN REQUIRED LENGTH.

1 USE CORRECT SIZE GROMMET
WHICH IS SUPPLIED W/BACKSHELL

6 CABLE LABELS
LABEL CABLES PER ASSEMBLY VIEW BELOW

SEE LABEL 2 ONLY
FOR DESTINATION

LABELS:
2 REQUIRED,
(1 AT EACH END)



PROPRIETARY INFORMATION
THIS DRAWING IS THE PROPERTY
OF AEROTECH, INC. AND IS
SUBMITTED IN CONFIDENCE AND
SHALL NOT BE REPRODUCED NOR
COPIED NOR DISCLOSED TO OTHERS
UNDER PENALTY OF LAW.



AEROTECH, INC. 101 Zeta Drive
Pittsburgh, PA. 15238
(412)963-7470
www.aerotech.com

TOLERANCES ON
FRACTIONS DECIMALS ANGLES
0 TO 6 ±1/32 .XX ±01 ± 0-30'
OVER 6 ±1/16 .XXX ±005

RMS FINISH ✓ EXCEPT AS NOTED

MP Drive Aux Encoder (J201) to 8TS (TB108)
(Aux Encoder to Nmark SSAM)
CABLE: ENC FB-9MDT-8TS-MAX8DM

DRAWN	JFM	1/15/2013
CHECKED	AGS	1/15/2013
APPD.	JFM	1/15/2013

PART CODE	SIZE	REV.
C23940	C	-
630C2394		
SCALE	NTS	FILE NAME
		630C2394.dwg
SHEET	1 OF 1	