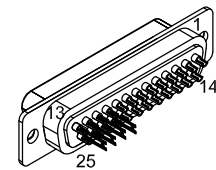


REVISIONS			
REV.	DESCRIPTION	DRAWN	DATE



25 PIN MALE D-STYLE, ECK00101
BACKSHELL, ECK0656

ADD GOLD JUMPER
EIK00351, 4 PLS.

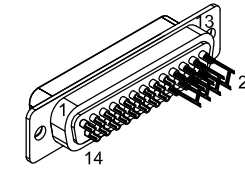
PIN	WIRE	SIGNAL
13	#22 W/GRN	MTR ØC
12	#22 W/VIO	MTR ØB
11	#22 RED/BLK	MTR ØA
10	#24 RED/ORN	MTR RETURN
9	GRY/RED	HALL C
8	GRY/BLK	HALL A
7	GRY	CCW-LMT
6	BLU/BLK	LMT COM
5	#22 GRN	LMT COM
5	INNER SHIELD	INNER SHIELD
4	GRN/BLK	ENC COM
4	WHT/BRN	MKR-N
3	WHT/ORN	SIN-N
2	WHT/RED	COS-N
1	REMOVE PIN	REMOVE PIN
CASE	OUTER SHIELD	OUTER SHIELD
14	RED	COS
15	ORN	SIN
16	BRN	MKR
17	#22 VIO	ENC +5V
17	YEL/BLK	ENC +5V
18	PNK	ID
19	WHT	CW+LMT
20	WHT/YEL	THERMISTOR
21	WHT/GRY	HALL B
22	#24 BLK/ORN	RETURN
23	BLK	MTR ØA
24	YEL	MTR ØB
25	BLU	MTR ØC

ECX01182
26 COND., #22x5, #24x2, #26x13, #26x3Pair
ALL #26, UNLESS NOTED OTHERWISE

SIGNAL	WIRE	PIN
MTR ØC	#22 W/GRN	13
MTR ØB	#22 W/VIO	12
MTR ØA	#22 RED/BLK	11
FRAME	#24 RED/ORN	10
HALL C	GRY/RED	9
HALL A	GRY/BLK	8
CCW-LMT	GRY	7
LMT COM	BLU/BLK	6
LMT COM	#22 GRN	6
INNER SHIELD	INNER SHIELD	5
ENC COM	GRN/BLK	5
MKR-N	WHT/BRN	4
SIN-N	WHT/ORN	3
COS-N	WHT/RED	2
KEY	KEY	1
OUTER SHIELD	OUTER SHIELD	CASE
COS	RED	14
SIN	ORN	15
MKR	BRN	16
ENC +5V	#22 VIO	17
ENC +5V	YEL/BLK	17
ID	PNK	18
CW+LMT	WHT	19
THERMISTOR	WHT/YEL	20
HALL B	WHT/GRY	21
FRAME	#24 BLK/ORN	22
MTR ØA	BLK	23
MTR ØB	YEL	24
MTR ØC	BLU	25



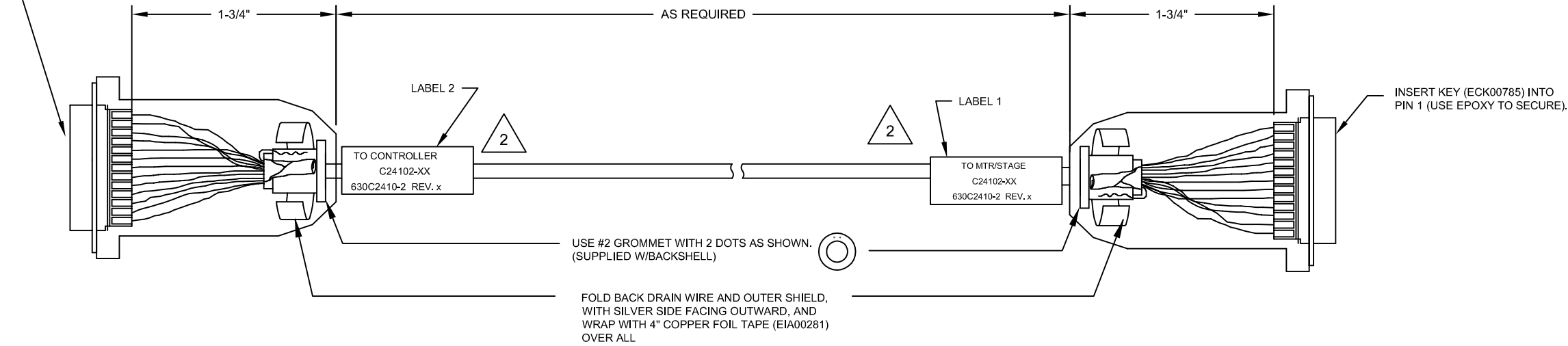
INSERT KEY (ECK00785) INTO
PIN 1 (USE EPOXY TO SECURE).



25 PIN FEMALE D-STYLE, ECK00300
BACKSHELL, ECK0656

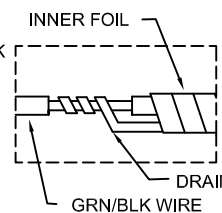
ADD GOLD JUMPER
EIK00351, 4 PLS.

REMOVE PIN 1



INNER SHIELD TERMINATION
UNWRAP INNER FOIL SHIELD AS FAR BACK AS POSSIBLE. SEPARATE GRN/BLK WIRE INSULATION. SOLDER-SPLICE INNER DRAIN WIRE TO GRN/BLK WIRE. WRAP INNER FOIL SHIELD OVER SOLDER-SPLICE. COVER INNER BUNDLE, SPLICE & INNER SHIELD WITH SHRINK TUBING AS FAR IN CABLE AS POSSIBLE. CONNECT GRN/BLK WIRE TO PIN 5.

NOTE: INNER SHIELD MUST NOT TOUCH OUTER SHIELD OR BACKSHELL.



LABEL EACH END OF CABLE, EIA00113



STARTING CABLE LENGTH SHOULD BE 5 IN LONGER THAN TOTAL LENGTH OF CABLE. LENGTH OF CABLE IS DESIGNATED BY THE (XX) IN CABLE NAME.

PROPRIETARY INFORMATION
THIS DRAWING IS THE PROPERTY OF AEROTECH, INC. AND IS SUBMITTED IN CONFIDENCE AND SHALL NOT BE REPRODUCED NOR COPIED NOR DISCLOSED TO OTHERS UNDER PENALTY OF LAW.



AEROTECH, INC., 101 Zeta Drive
Pittsburgh, PA. 15238-2897, USA
HTTP://www.aerotech.com

TOLERANCES ON		
FRACTIONS	DECIMALS	ANGLES
0 TO 6 1/32	.XX ±01	± 0-30°
OVER 6 1/16	.XXX ±005	

RMS FINISH EXCEPT AS NOTED

DRAWN	JFM	7/18/18
CHECKED	JAB	7/18/18
APPD.	JFM	7/18/18

C24102-xx
CABLE: BL MTR + FB-25D-25D-3ARMS-MAX90DM

PART CODE	SIZE	REV.
C24102	C	-
SCALE	FILE NAME	SHEET
NTS	630C2410-2.Dwg	1 OF 1