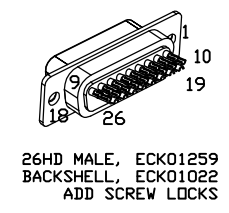


REVISIONS			
REV.	DESCRIPTION	DRAWN	DATE

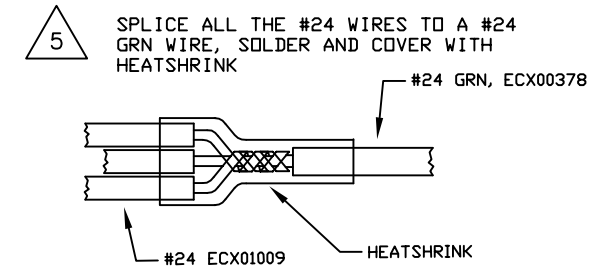
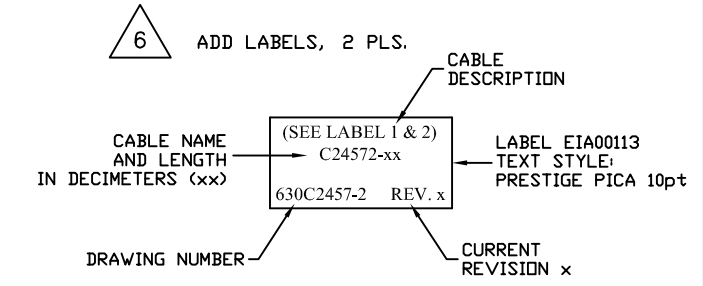
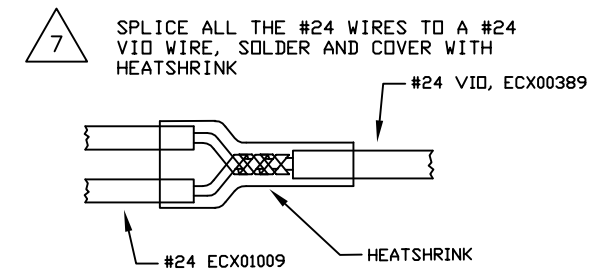
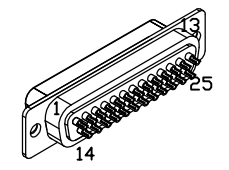
PIN	WIRE	SIGNAL
13	-	-
12	RED	+5V
11	VIO	+5V
10	W/YEL	COS-N
9	YEL	COS
8	-	-
7	-	-
6	-	-
5	-	-
4	-	-
3	-	-
2	W/BLU	SIN-N
1	BLU	SIN
CASE	SHIELD	SHIELD
14	-	-
15	-	-
16	-	-
17	-	-
18	-	-
19	W/ORN	MKR-N
20	ORN	MKR
21	GRY	LMT COM
21	BRN	ENC COM
21	BLK	ENC COM
22	-	-
23	-	-
24	-	-
25	-	-
26	-	-



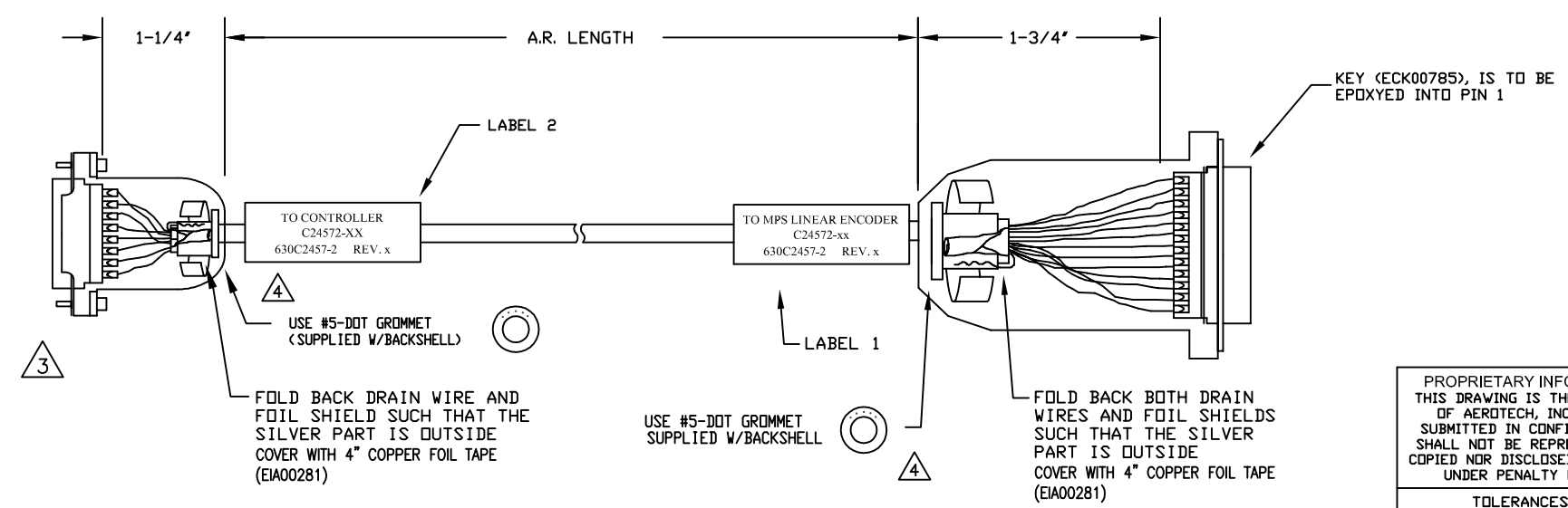
ECX01009
#24 x16

UNUSED WIRES:
WHT, GRN,
W/GRN,
W/GRY, W/BRN

SIGNAL	WIRE	PIN
-	-	13
-	-	12
-	-	11
-	-	10
-	-	9
-	-	8
-	-	7
LMT COM	GRY	6
ENC COM	BRN	5
ENC COM	BLK	5
MKR-N	W/ORN	4
SIN-N	W/BLU	3
COS-N	W/YEL	2
KEY	KEY	1
SHIELD	SHIELD	CASE
COS	YEL	14
SIN	BLU	15
MKR	ORN	16
+5V	VIO	17
+5V	RED	17
-	-	18
-	-	19
-	-	20
-	-	21
-	-	22
-	-	23
-	-	24
-	-	25



- 4 VERIFY GROMMET IS SECURED TIGHTLY AROUND CABLE. IF NECESSARY BUILD UP WITH SHRINK TUBING.
- 3 FOR CRIMP TOOL USE AMP HANDLE ASSY 58074-1 WITH AMP HEAD ASSY 58063-2
- 1 STARTING CABLE LENGTH SHOULD BE 5 IN LONGER THAN TOTAL LENGTH OF CABLE. LENGTH OF CABLE IS DESIGNATED BY THE (XX) IN CABLE NAME.



PROPRIETARY INFORMATION THIS DRAWING IS THE PROPERTY OF AEROTECH, INC. AND IS SUBMITTED IN CONFIDENCE AND SHALL NOT BE REPRODUCED NOR COPIED NOR DISCLOSED TO OTHERS UNDER PENALTY OF LAW.		AEROTECH, INC. 101 Zeta Drive Pittsburgh, PA. 15238 (412)963-7470 www.aerotech.com	
TOLERANCES ON FRACTIONS DECIMALS ANGLES 0 TO 6 ± 1/32 .XX ± .01 ± 0-30' OVER 6 ± 1/16 .XXX ± .005			
RMS FINISH <input checked="" type="checkbox"/> EXCEPT AS NOTED		MPS SERIES STAGE LINEAR ENCODER FEEDBACK DC FB-26HD 25DU-MAX100DM	
DRAWN	JFM	12/16/2013	REV. -
CHECKED	TES	12/16/2013	
APPD.	JFM	12/16/2013	
PART CODE		SIZE	REV.
C24572-XX		C	-
SCALE NTS		FILE NAME	SHEET
		630C2457-201.Dwg	1 OF 1