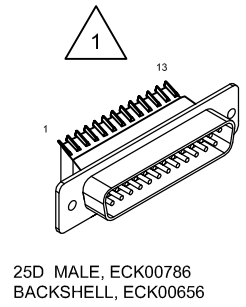


REVISIONS			
REV.	DESCRIPTION	DATE	DRAWN



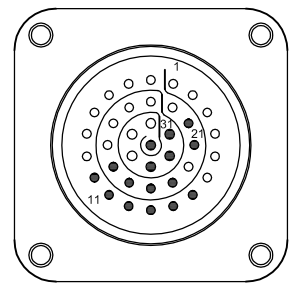
25D MALE, ECK00786  
BACKSHELL, ECK00656

PIN	WIRE	SIGNAL
11	GRY/RED	HALL C
10	GRY/BLK	HALL A
8	WHT/ORN	DATA-N
7	BRN	CLK
6	WHT/BRN	CLK-N
5	WHT/GRY	HALL B
4	PNK	ID
3	#22 VIO	ENCODER +5V
	#22 WHT/VIO	
	#22 RED/BLK	
	#24 RED/ORN	
2	BLK	THERMISTOR
CASE	SHIELD	OUTER SHIELD
16	RED	HALL +5V
19	ORN	DATA
20	GRY	HALL COM
	#22 WHT/GRN	ENCODER COM
	GRN/BLK	THERMISTOR COM
21	#22 GRN	ENCODER COM
	#24 BLK/ORN	
	INNER SHIELD	

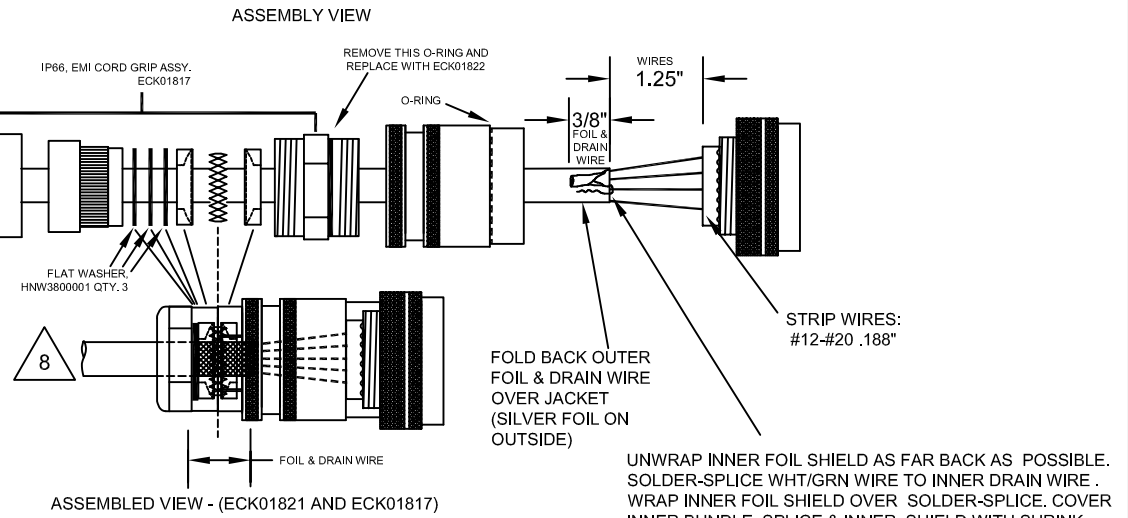
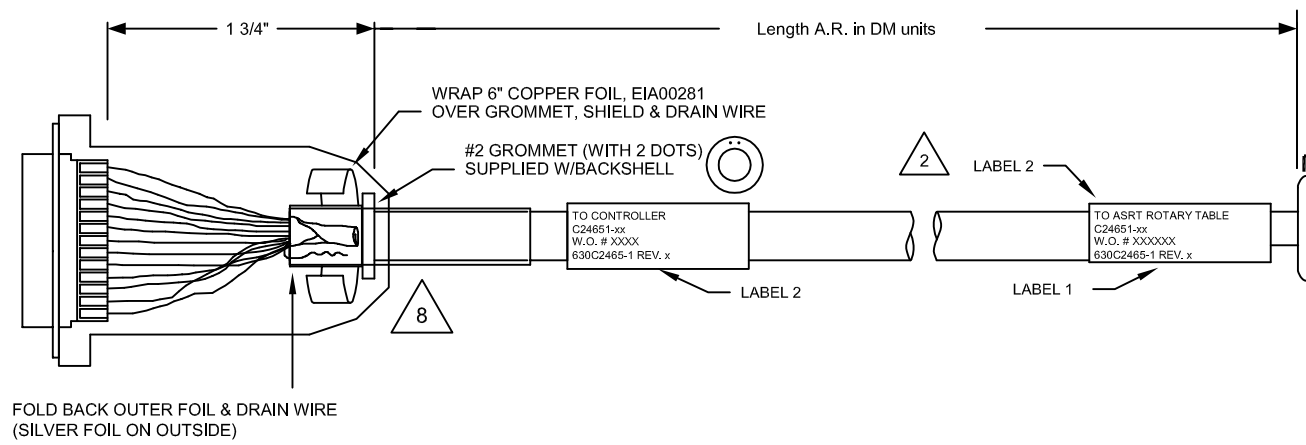
ECX01182, 26 COND.,  
ALL #26 UNLESS NOTED

SPARE WIRES:  
BLU/BLK, BLU, W/RED, YEL,  
W/YEL, YEL/BLK, WHT

SIGNAL	WIRE	SKT
DATA	ORN	7
DATA-N	WHT/ORN	8
HALL A	GRY/BLK	9
HALL B	WHT/GRY	10
HALL C	GRY/RED	11
THERMISTOR	BLK	12
ENCODER +5V	#22 VIO	20
	#24 RED/ORN	
ENCODER COM	#22 GRN	21
	#24 BLK/ORN	
INNER SHIELD	INNER SHIELD	22
CLK	BRN	23
HALL COM	GRY	24
HALL +5V	RED	25
THERMISTOR COM	GRN/BLK	26
ENCODER +5V	#22 WHT/VIO	31
ENCODER COM	#22 RED/BLK	32
CLK-N	WHT/BRN	33
ID	PNK	37

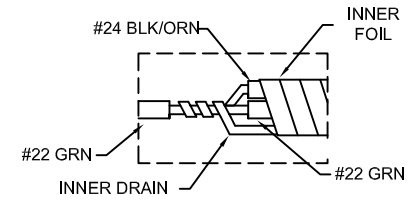


WIRE SIDE VIEW  
INSERT PINS IN ALL CONTACT POSITIONS  
(PIN NUMBERS SEQUENTIALLY SPIRAL INWARD CW)  
USE:  
CRIMPER M22520/2-01  
HEAD M22520/2-06

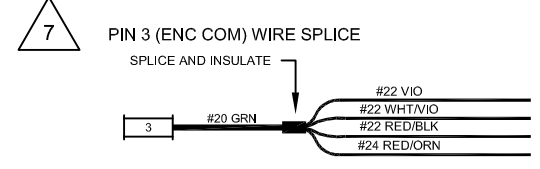


- 6 PIN 20 (ENC +5V) WIRE SPLICE  
SPLICE AND INSULATE
- 5 PIN 21 (ENC COM) WIRE SPLICE  
SPLICE AND INSULATE
- 4 FILL ALL CONTACT POSITIONS
- 3 WIRE MUST BE VISIBLE THRU INSPECTION HOLE BEFORE AND AFTER CRIMPING PIN.
- 2 STARTING CABLE LENGTH 6" LONGER THAN REQUIRED LENGTH.
- 1 FOR CRIMP TOOL USE AMP HANDLE ASSY 58074-1 WITH AMP HEAD ASSY 58063-2

9 ON 25D-SUB END OF CABLE, UNWRAP INNER FOIL SHIELD AS FAR BACK AS POSSIBLE. SEPARATE GREEN WIRE INSULATION. SOLDER-SPLICE WHT/GRN & INNER DRAIN WIRE TO GREEN WIRE. WRAP INNER FOIL SHIELD OVER SOLDER-SPLICE. COVER INNER BUNDLE, SPLICE & INNER SHIELD WITH SHRINK TUBING AS FAR IN CABLE AS POSSIBLE. CONNECT GREEN WIRE TO PIN 21.  
NOTE: INNER SHIELD MUST NOT TOUCH OUTER SHIELD OR BACKSHELL.



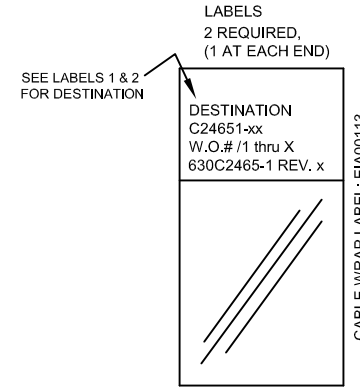
8 BE SURE CABLE CAN NOT BE PULLED OR TWISTED FREE FROM CORD GRIP.



ASSEMBLED VIEW - (ECK01821 AND ECK01817)  
TIGHTEN CONNECTOR ASSEMBLY TO 15 IN/LBS (WITH SPRING AND COMPRESSION WASHERS CONTACTING FOIL & DRAIN WIRE)

UNWRAP INNER FOIL SHIELD AS FAR BACK AS POSSIBLE. SOLDER-SPLICE WHT/GRN WIRE TO INNER DRAIN WIRE. WRAP INNER FOIL SHIELD OVER SOLDER-SPLICE. COVER INNER BUNDLE, SPLICE & INNER SHIELD WITH SHRINK TUBING AS FAR IN CABLE AS POSSIBLE. CONNECT GREEN WIRE TO PIN 22.  
NOTE: INNER SHIELD MUST NOT TOUCH OUTER SHIELD OR BACKSHELL.

Note: This cable assembly is IP66 rated.



PROPRIETARY INFORMATION THIS DRAWING IS THE PROPERTY OF AEROTECH, INC. AND IS SUBMITTED IN CONFIDENCE AND SHALL NOT BE REPRODUCED NOR COPIED NOR DISCLOSED TO OTHERS UNDER PENALTY OF LAW.		
TOLERANCES ON FRACTIONS DECIMALS ANGLES 0 TO 6 ±1/32 .XX ±.01 ± 0-30' OVER 6 ±1/16 .XXX ±.005		
RMS FINISH	EXCEPT AS NOTED	
DRAWN	8/13/2018	JFM
CHECKED	8/13/2018	JAB
APPD.	8/13/2018	JFM

AEROTECH, INC. 101 Zeta Drive  
Pittsburgh, PA, 15238  
(412) 963-7470  
www.aerotech.com

**CABLE: WATER-PROOF IP66  
BRUSHLESS ABS FEEDBACK  
BL ABS-25D-37MS-IP66-MAX171DM**

PART CODE	SIZE	REV.
<b>C24651</b>	<b>C</b>	-
SCALE	FILE NAME	SHEET
N/A	630C2465-1.Dwg	1 OF 1