

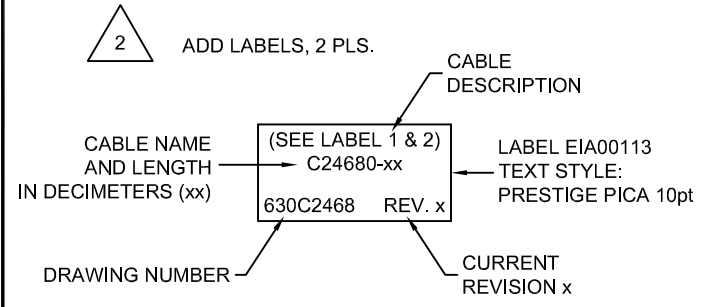
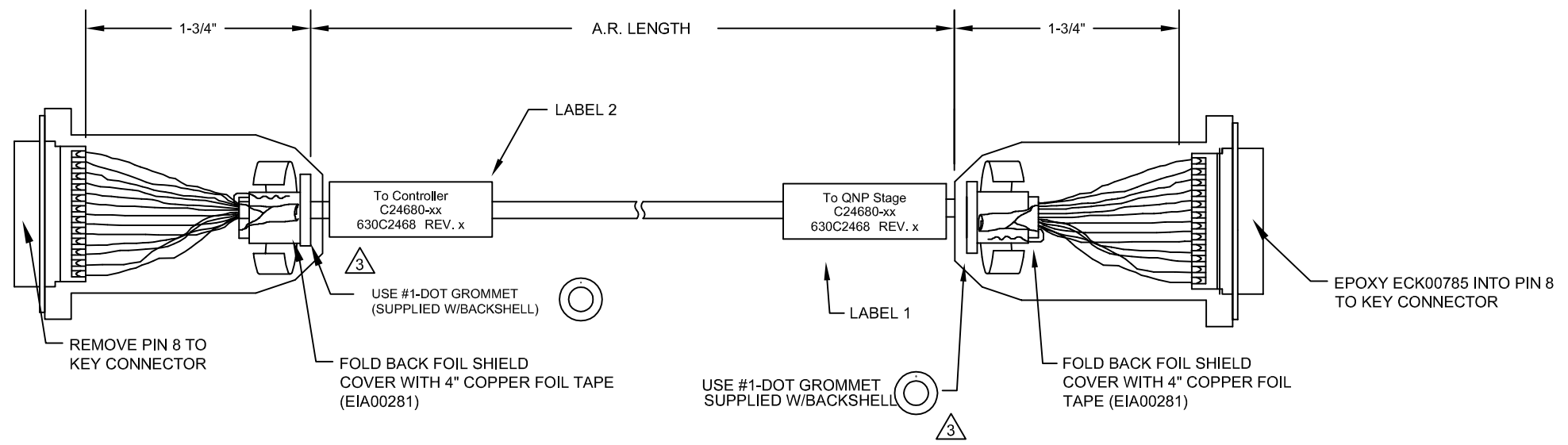
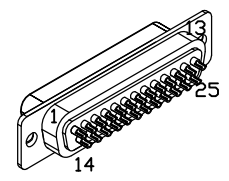
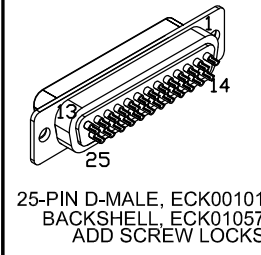
REVISIONS			
REV.	DESCRIPTION	DRAWN	DATE

PIN	WIRE	SIGNAL
13	W/BRN	PIEZO+
12	GRN/YEL	FRM
11	BRN	COM
10	GRN	COM
9	-	-
8	REMOVE PIN	KEY
7	-	-
6	WHT	STAGE ID
5	-	GAIN 1
4	-	GAIN 3
3	-	-
2	BLK	COM
1	(YEL) SHIELD	REF SHIELD
CASE	SHIELD	OUTER SHIELD
14	YEL COAX	REF
15	W/BLK	COM
16	ORN	+3.3 VDC
17	-	-
18	YEL	-12 VDC
19	RED	+12 VDC
20	RED COAX	BIAS
21	(RED) SHIELD	BIAS SHIELD
22	BLU COAX	FDBK
23	(BLU) SHIELD	FDBK SHIELD
24	-	-
25	W/GRY	PIEZO-

SIGNAL	WIRE	PIN
PIEZO+	W/BRN	13
FRM	GRN/YEL	12
COM	BRN	11
COM	GRN	10
-	-	9
KEY	EPOXY ECK00785	8
-	-	7
STAGE ID	WHT	6
GAIN 1	-	5
GAIN 3	-	4
-	-	3
COM	BLK	2
REF SHIELD	(YEL) SHIELD	1
SHIELD	OUTER SHIELD	CASE
REF	YEL COAX	14
COM	W/BLK	15
+3.3 VDC	ORN	16
-	-	17
-12 VDC	YEL	18
+12 VDC	RED	19
BIAS	RED COAX	20
BIAS SHIELD	(RED) SHIELD	21
FDBK	BLU COAX	22
FDBK SHIELD	(BLU) SHIELD	23
-	-	24
PIEZO-	W/GRY	25

ECX01405  
#24 AWG x11,  
Coax x3

UNUSED WIRES:  
None



2 ADD LABELS, 2 PLS.

1 STARTING CABLE LENGTH SHOULD BE 5 IN LONGER THAN TOTAL LENGTH OF CABLE. LENGTH OF CABLE IS DESIGNATED BY THE (XX) IN CABLE NAME.

4 There are 3 coax cables. Terminate each coax and its shield where indicated.

3 VERIFY GROMMET IS SECURED TIGHTLY AROUND CABLE. IF NECESSARY BUILD UP WITH SHRINK TUBING.

PROPRIETARY INFORMATION THIS DRAWING IS THE PROPERTY OF AEROTECH, INC. AND IS SUBMITTED IN CONFIDENCE AND SHALL NOT BE REPRODUCED NOR COPIED NOR DISCLOSED TO OTHERS UNDER PENALTY OF LAW.		AEROTECH, INC. 101 Zeta Drive Pittsburgh, PA. 15238 (412)963-7470 www.aerotech.com	
TOLERANCES ON FRACTIONS DECIMALS ANGLES 0 TO 6 ±1/32 .XX ±01 ± 0-30' OVER 6 ±1/16 .XXX ±005		<b>QNP Piezo Stage</b> <b>Extension Cable</b> <b>PZ MTR &amp; FB-25DU-25D-HF60-MAX100DM</b>	
RMS FINISH	EXCEPT AS NOTED	PART CODE	SIZE
DRAWN	JFM 5/29/2014	C24680	C
CHECKED	ARW 5/29/2014	<b>630C2468</b>	
APPD.	JFM 5/29/2014	SCALE	NTS
FILE NAME		630C2468.Dwg	SHEET 1 OF 1