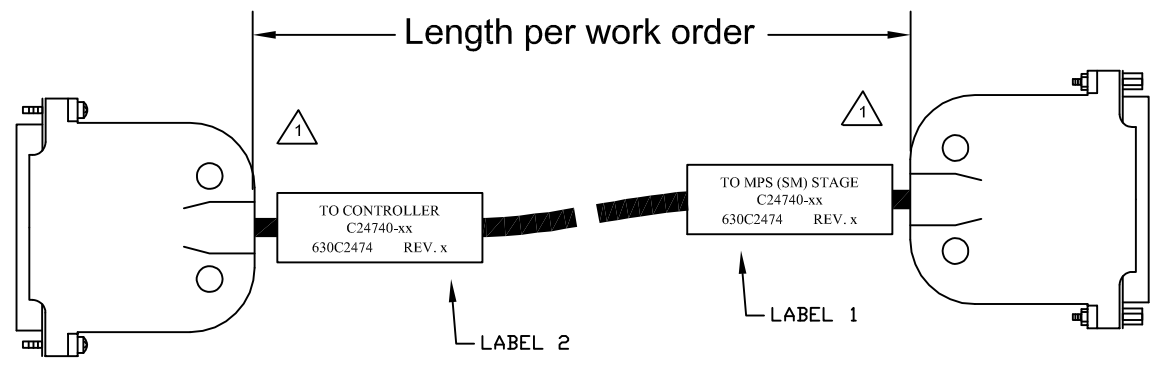
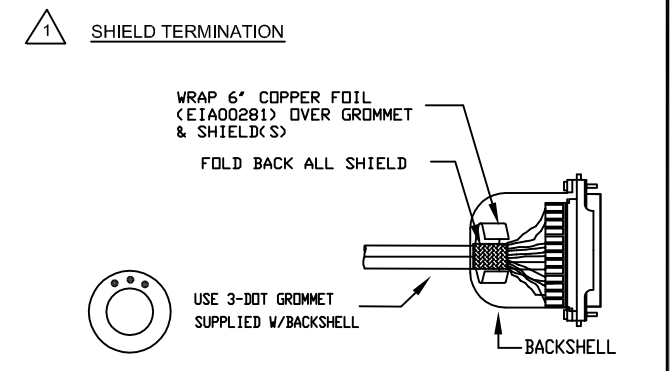
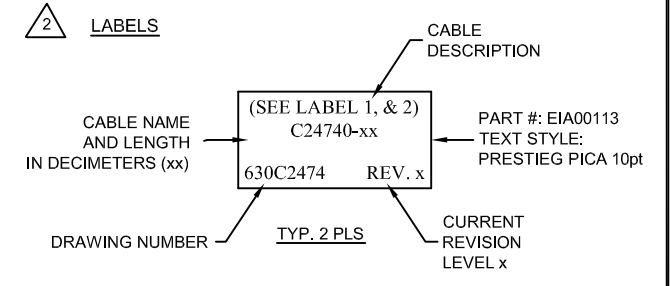
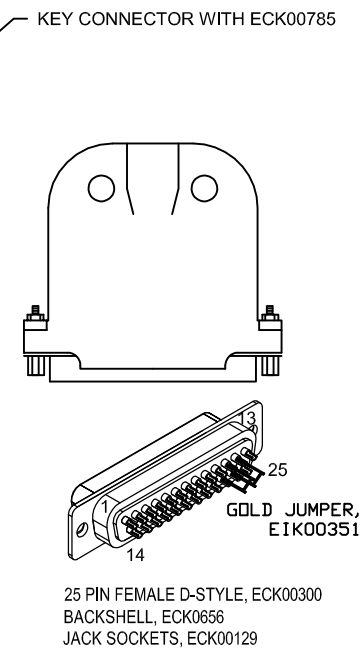
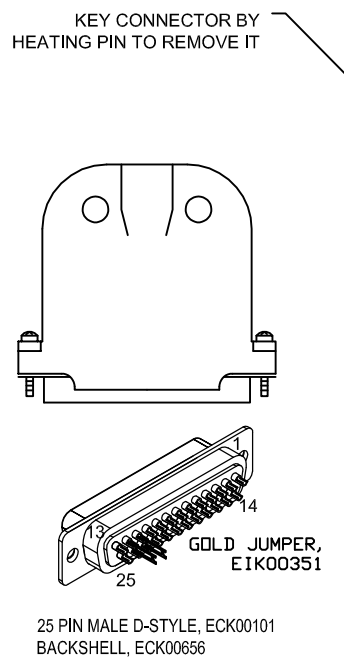
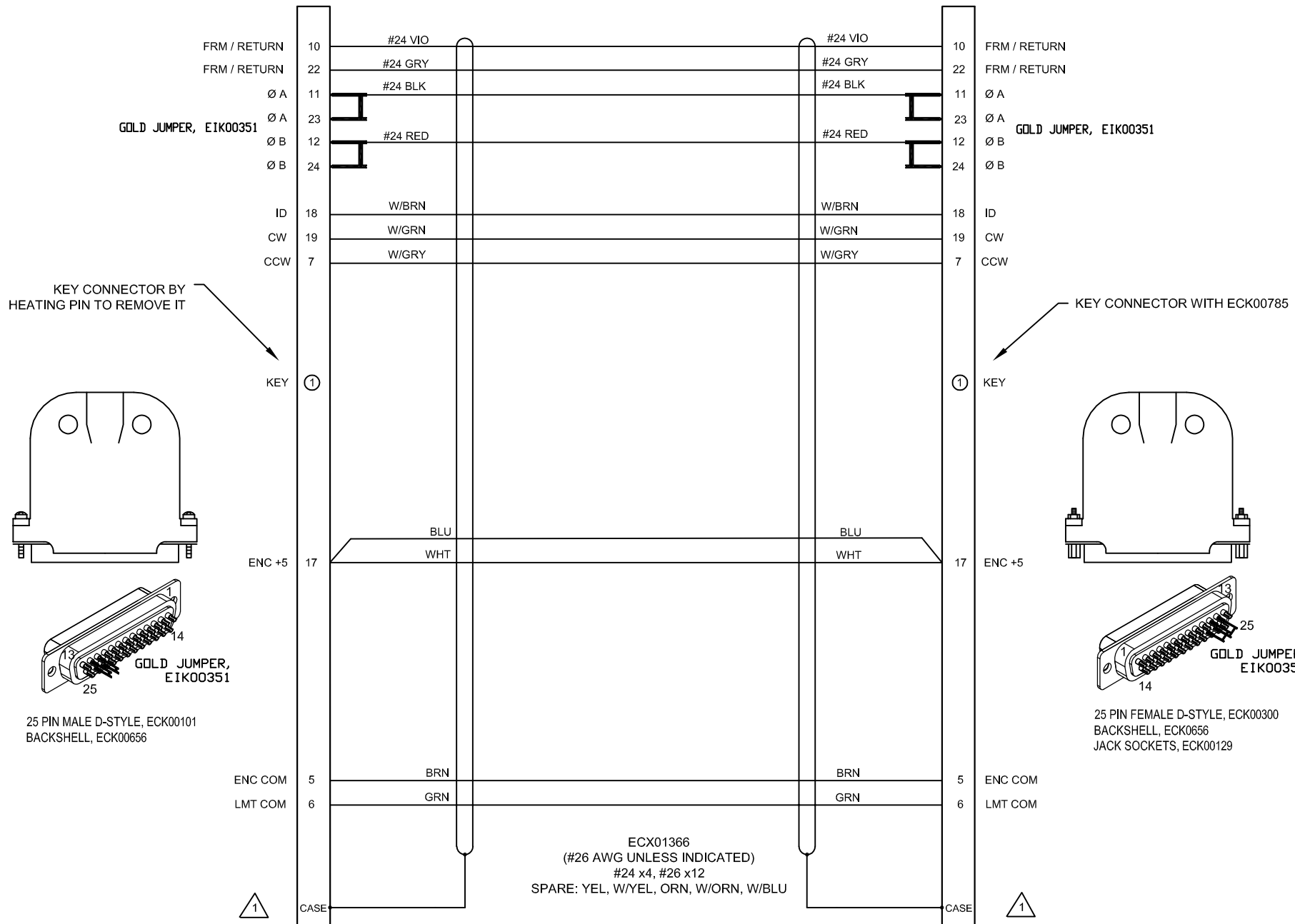


REVISIONS			
REV.	DESCRIPTION	DRAWN	DATE



PROPRIETARY INFORMATION THIS DRAWING IS THE PROPERTY OF AEROTECH, INC. AND IS SUBMITTED IN CONFIDENCE AND SHALL NOT BE REPRODUCED NOR COPIED NOR DISCLOSED TO OTHERS UNDER PENALTY OF LAW.			AEROTECH, INC. 101 Zeta Drive Pittsburgh, PA. 15238 (412)963-7470 http://www.aerotech.com		
TOLERANCES ON FRACTIONS DECIMALS ANGLES 0 TO 6 1/32 .XX ±01 ± 0-30° OVER 6 1/16 .XXX ±005			C24740-xx MPS Stepper Ext. Cable to Lab Controller SM EXT MTR 25DU-25DU-MAX75DM		
RMS FINISH	✓	EXCEPT AS NOTED	PART CODE	SIZE	REV.
DRAWN	8/11/2014	JFM	C24740-xx	C	630C2474
CHECKED	8/12/2014	AGS	SCALE	FILE NAME	SHEET
APPD.	8/12/2014	JFM	NTS	630C247401.Dwg	1 OF 1