

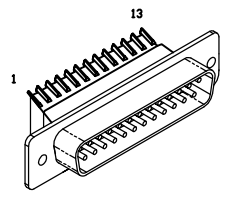
REV. DESCRIPTION		REVISIONS	DRAWN	DATE

PIN	WIRE	SIGNAL
13	-	-
12	WHT	CW/+LMT
11	-	-
10	-	-
9	-	-
8	-	-
7	-	-
6	-	-
5	-	-
4	BLU	ID
3	RED	ENC +5V
2	ORN	THERMISTOR
1	-	-
CASE	SHIELD	SHIELD
14	-	-
15	-	-
16	-	-
17	-	-
18	-	-
19	-	-
20	GRN	LMT COM
21	BLK	ENC COM
22	-	-
23	-	-
24	WHT/BLK	CCW/-LMT
25	-	-

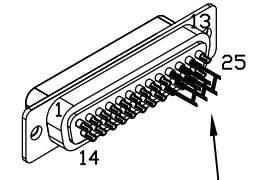
SIGNAL	WIRE	PIN
-	-	13
ØB	JMP TO PIN 24	12
ØA	JMP TO PIN 23	11
ØA, ØB RETURN	JMP TO PIN 22	10
-	-	9
-	-	8
CCW/-LMT	WHT/BLK	7
LMT COM	GRN	6
ENC COM	BLK	5
-	-	4
-	-	3
-	-	2
KEY	KEY	1
FRAME GND.	SHIELDS, & #22 GRN/YEL	CASE
-	-	14
-	-	15
-	-	16
ENC +5V	RED	17
ID	BLU	18
CW/+LMT	WHT	19
THERMISTOR	ORN	20
-	-	21
ØA, ØB RETURN	#22 WHT	22
ØA	#22 BLK	23
ØB	#22 RED	24
-	-	25

PIN	FERRULE	WIRE	SIGNAL
4	EIK01085	#22 WHT	MTR Ø C
3	EIK01085	#22 RED	MTR Ø B
2	EIK01085	#22 BLK	MTR Ø A
1	EIK01001	#22 GRN/YEL	SHIELD / FRM GND

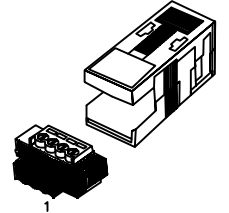
25-PIN D, MALE, ECK00786  
BACKSHELL, ECK00656  
ADD SCREWLOCKS



25-PIN D, FEMALE, ECK00300  
BACKSHELL, ECK00656  
JACKSOCKETS, ECK00129



CABLE HOUSING (ECK1520)

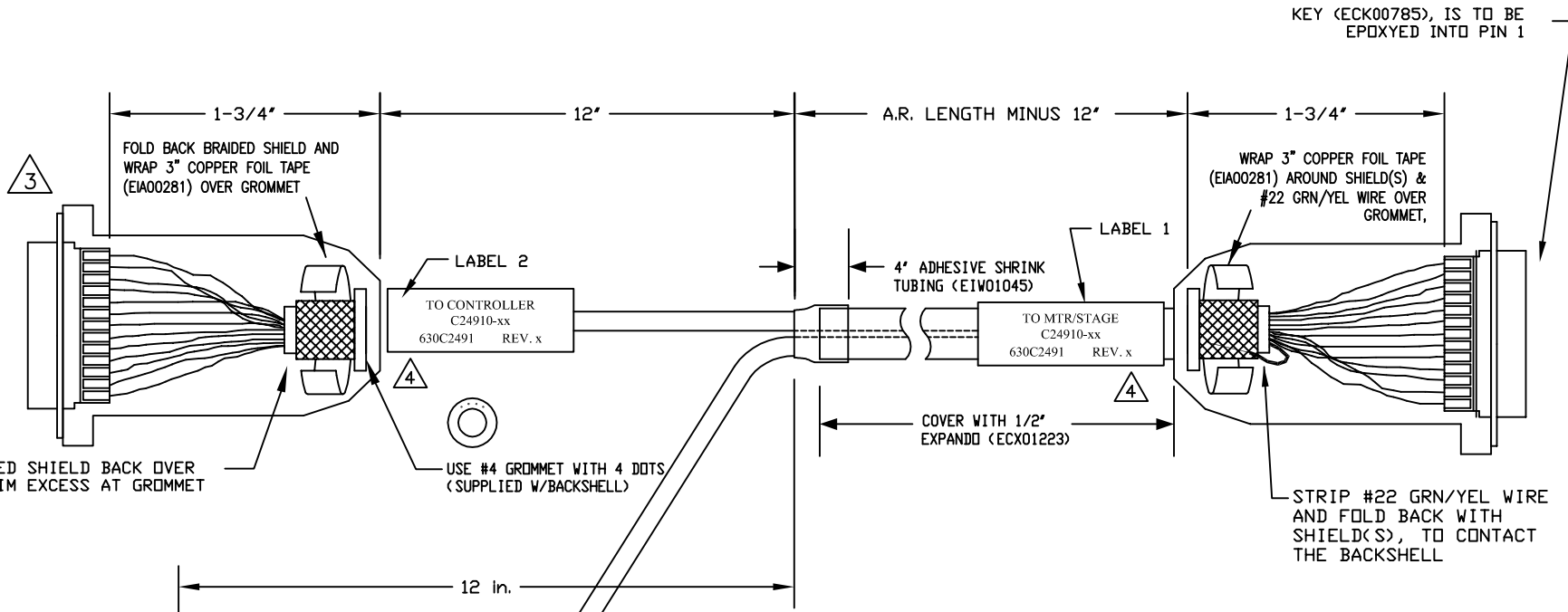


4 PIN PLUG W/SCREWS (ECK1523)

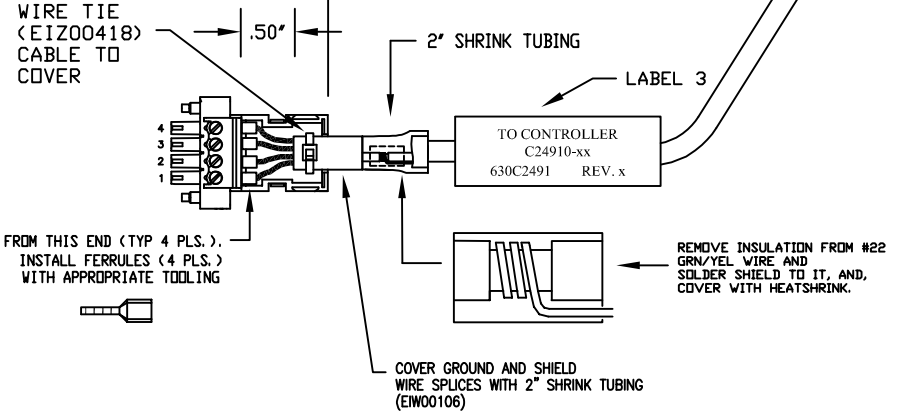
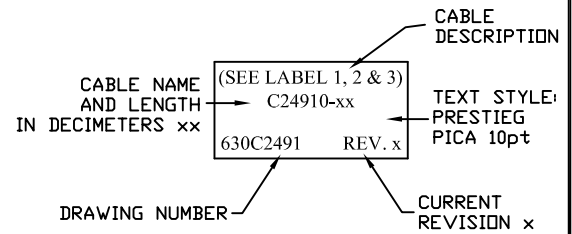
ECX01125  
8 COND., #26

UNUSED WIRES:  
None

ECX01124  
4 COND., #22



- 5 ADD THREE CABLE LABELS, EIA00113
- 4 VERIFY GROMMET IS SECURED TIGHTLY AROUND CABLE. IF NECESSARY BUILD UP WITH SHRINK TUBING.
- 3 FOR CRIMP TOOL USE AMP HANDLE ASSY 58074-1 WITH AMP HEAD ASSY 58063-2
- 1 STARTING CABLE LENGTH SHOULD BE 5 IN LONGER THAN TOTAL LENGTH OF CABLE. LENGTH OF CABLE IS DESIGNATED BY THE (XX) IN CABLE NAME.



PROPRIETARY INFORMATION THIS DRAWING IS THE PROPERTY OF AEROTECH, INC. AND IS SUBMITTED IN CONFIDENCE AND SHALL NOT BE REPRODUCED NOR COPIED NOR DISCLOSED TO OTHERS UNDER PENALTY OF LAW.		AEROTECH, INC. 101 Zeta Drive Pittsburgh, PA. 15238 (412)963-7470 www.aerotech.com	
TOLERANCES ON FRACTIONS DECIMALS ANGLES 0 TO 6 ± 1/32 .XX ± .01 ± 0-30' OVER 6 ± 1/16 .XX ± .005		<b>MPS SERIES STEPPER TO Epaq          FEEDBACK &amp; MOTOR CABLE          SM MTR &amp; FB-25DU 4TS-25DU-HF-MAX135M</b>	
RMS FINISH	EXCEPT AS NOTED	PART CODE	SIZE
DRAWN	11/5/2014 JFM	C24910-xx	C
CHECKED	11/5/2014 TES	<b>630C2491</b>	
APPD.	11/5/2014 JFM	SCALE NTS	FILE NAME 630C249101.Dwg
		SHEET	1 OF 1