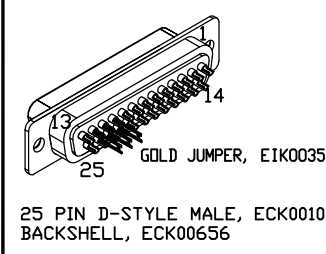


REVISIONS		REV.	DESCRIPTION	DRAWN	DATE



PIN	WIRE	SIGNAL
13	-	-
12	#24 RED	MTR ØB
11	#24 BLK	MTR ØA
10	#24 GRY	MTR RETURN
9	-	-
8	-	-
7	W/GRY	CCW/-LMT
6	GRN	LMT COM
5	WHT/GRN	ENC COM
4	W/ORN	MRK-N
3	W/BLU	SIN-N
2	W/YEL	COS-N
1	REMOVE PIN	KEY
CASE	SHIELD	SHIELD
14	YEL	COS
15	BLU	SIN
16	ORN	MRK
17	BRN/WHT #24 VIO	ENC +5V
18	WHT/BRN	ID
19	WHT	CW/+LMT
20	-	-
21	-	-
22	Jumper	MTR RETURN
23	Jumper	MTR ØA
24	Jumper	MTR ØB
25	-	-

3
#26 AVG UNLESS OTHERWISE NOTED
ECX01126
26 COND.
#24 x4, #26 x12

UNUSED WIRES:
None

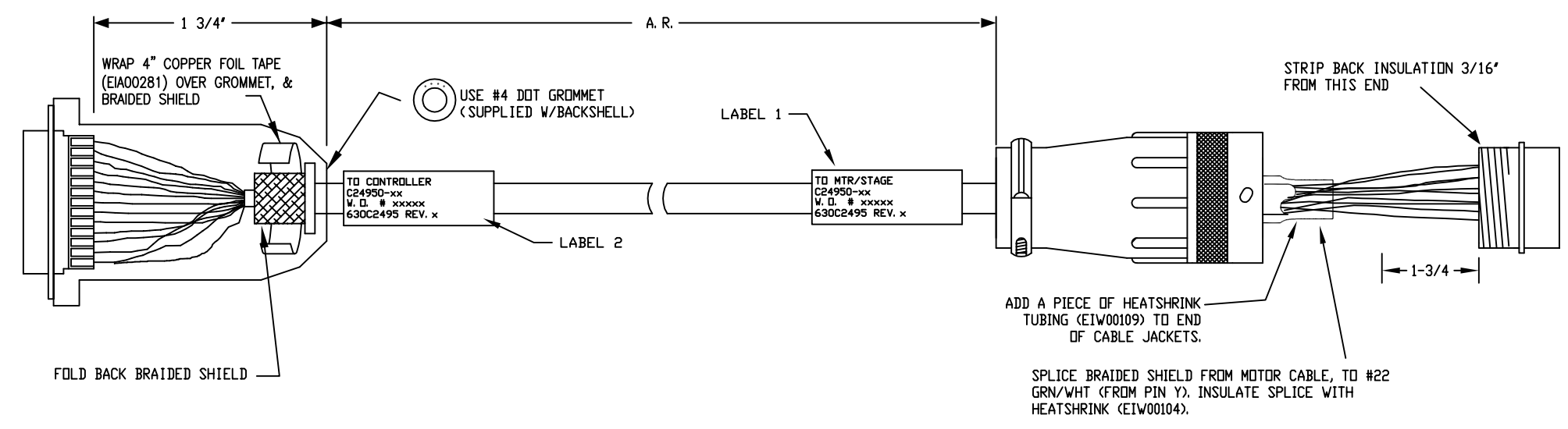
SIGNAL	WIRE	PIN
SIN-N	BLU/WHT	H
-	-	J
SIN	BLU	G
Stage ID	WHT/BRN	K
-	-	W
CCW/- LMT	WHT/GRY	V
CW/+LMT	WHT	U
COS-N	YEL/WHT	F
MKR	ORN	L
MKR-N	ORN/WHT	X
-	-	Z
-	-	T
COS	YEL	E
ENC +5V	#24 VIO	M
LMT +5V	BRN/WHT	M
SHIELD	#24 GRN/WHT	Y
MTR A	#24 BLK	R
FRM GND	#24 Grn/W Jmpr	S
LMT COM	GRN	D
ENC COM	W/GRN	D
MTR B	#24 RED	N
-	-	P
MTR B-N	#24 GRY	A
-	-	B
MTR A-N	#24 Gry Jmpr	C



WIRE SIDE VIEW
BURNDY PLUG ECK00135
CLAMP BURNDY ECK00617
#28-22 SOCKETS BURNDY ECK00402
CRIMP TOOL:
BURNDY HANDLE W/HEAD ASSY
N20RT-29
OR
BURNDY CRIMPER
MODEL UTM-2R W/HEAD ASSY CM11G1R

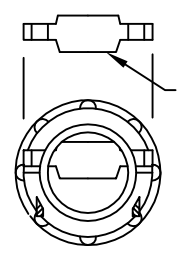
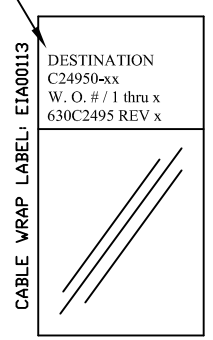
ADD JUMPERS WHERE SHOWN

ADD GOLD JUMPER
EIK00351, 3 PLS.



- 2 USE 2" LENGTHS OF THICK WALL HEATSHRINK TUBING TO BUILD UP CABLE DIAMETER FOR PROPER STRAIN RELIEFING. STRAIN RELIEFING MUST WITHSTAND 35 LB. PULL.
- CUT THICK WALL HEATSHRINK TUBING WITH CABLE CUTTER SUCH THAT ENDS ARE PERPENDICULAR TO CABLE AND CUT IS SMOOTH.
- THICK WALL HEATSHRINK TUBING:
EIW00112 MAX INSIDE DIA = .750" (EXPANDED),
MIN INSIDE DIA = .220" (RECOVERED)
EIW00113 MAX INSIDE DIA = .400" (EXPANDED),
MIN INSIDE DIA = .150" (RECOVERED)
- 1 STARTING CABLE LENGTH = A. R. LENGTH + 17 IN.

LABELS:
2 REQUIRED,
(1 AT EACH END)
SEE LABELS 1 & 2
FOR DESTINATION



BACKSHELL
ECK00617

INSERT STRAIN RELIEF WITH APPROPRIATE SIDE FACING CABLE TO PROPERLY STRAIN RELIEF CABLE

PROPRIETARY INFORMATION THIS DRAWING IS THE PROPERTY OF AEROTECH, INC. AND IS SUBMITTED IN CONFIDENCE AND SHALL NOT BE REPRODUCED NOR COPIED NOR DISCLOSED TO OTHERS UNDER PENALTY OF LAW.		
TOLERANCES ON FRACTIONS DECIMALS ANGLES 0 TO 6 ± 1/32 .XX ± .01 ± 0-30' OVER 6 ± 1/16 .XXX ± .005		
RMS FINISH	EXCEPT AS NOTED	
DRAWN	11/10/2014	JFM
CHECKED	11/10/2014	AGS
APPD.	11/10/2014	JFM

AEROTECH, INC. 101 Zeta Drive
Pittsburgh, PA. 15238
(412)963-7470
www.aerotech.com

STEPPER MOTOR CABLE
To Lab Controller
CABLE: SM MTR & FB-25DU-23B-HF-MAX95DM

PART CODE	SIZE	REV.
C24950-XX	C	-
630C2495		
SCALE NTS	FILE NAME	SHEET
	630C249501.Dwg	1 OF 1