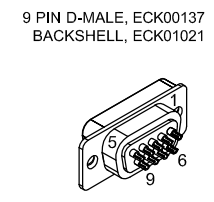


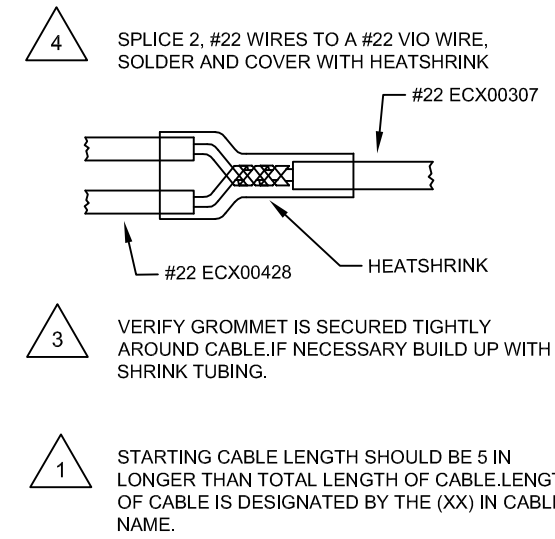
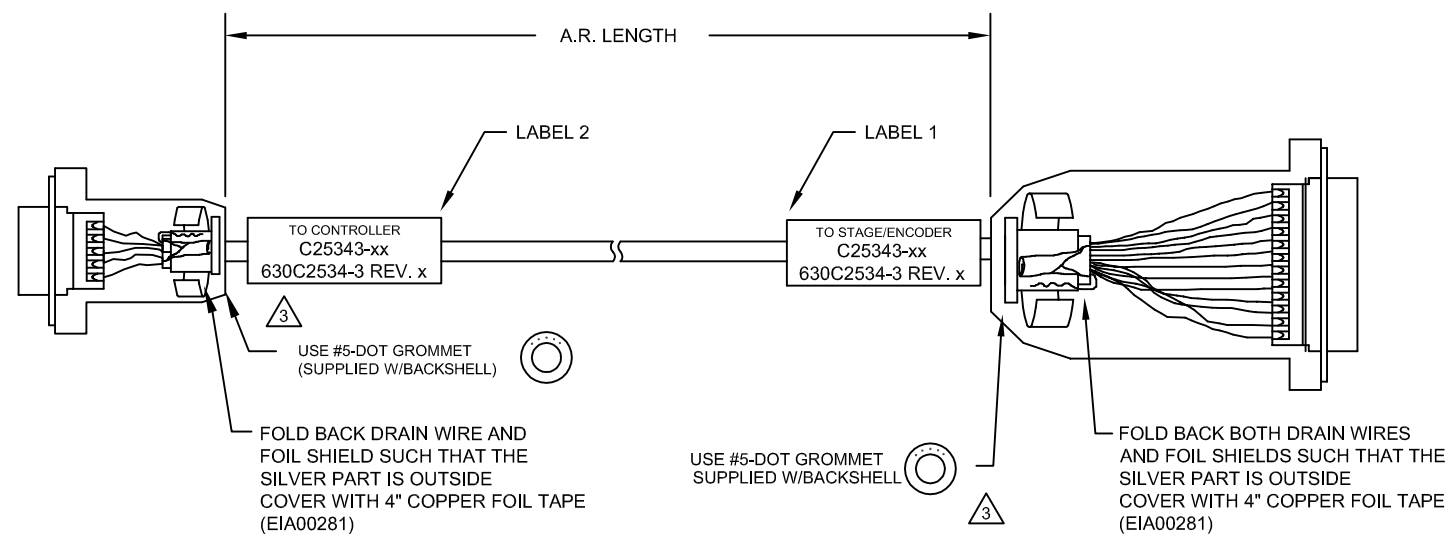
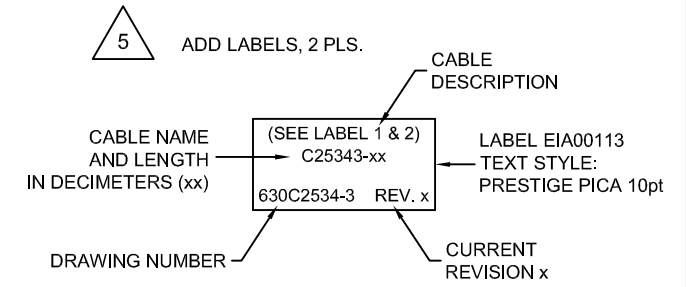
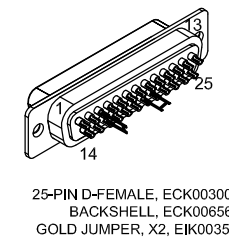
REVISIONS			
REV.	DESCRIPTION	DRAWN	DATE



PIN	WIRE	SIGNAL
7	BRN	COM
4	VIO	ENC +5V
	YEL	
5	WHT/GRY	MRK
8	W/RED	COS
1	W/YEL	SIN
CASE	SHIELD	SHIELD
6	W/GRN	SIN-N
3	W/ORN	COS-N
9	WHT/BRN	MRK-N
2	TAN	COM

ECX00428, #22 AWG X10
UNUSED WIRES:
NONE

SIGNAL	WIRE	PIN
-	-	13
-	-	12
-	-	11
-	-	10
-	-	9
-	-	8
MRK	WHT/GRY	7
MRK-N	WHT/BRN	6
-	-	5
-	-	4
ENC +5V	VIO	3
-	-	2
-	-	1
SHIELD	SHIELD	CASE
COS	W/RED	14
COS-N	W/ORN	15
ENC +5V	YEL	16
SIN	W/YEL	17
SIN-N	W/GRN	18
-	-	19
ENC COM	BRN	20
ENC COM	TAN	21
-	-	22
-	-	23
-	-	24
-	-	25



PROPRIETARY INFORMATION
THIS DRAWING IS THE PROPERTY OF AEROTECH, INC. AND IS SUBMITTED IN CONFIDENCE AND SHALL NOT BE REPRODUCED NOR COPIED NOR DISCLOSED TO OTHERS UNDER PENALTY OF LAW.

AEROTECH[®]
AEROTECH, INC. 101 Zeta Drive
Pittsburgh, PA. 15238
(412)963-7470
www.aerotech.com

TOLERANCES ON
FRACTIONS DECIMALS ANGLES
0 TO 6 ±1/32 .XX ±.01 ± 0-30'
OVER 6 ±1/16 .XXX ±.005

RMS FINISH EXCEPT AS NOTED

XR3/XR6 Secondary Feedback Cable
to 25D
ENC FB-9D-25D-MAX116DM

DRAWN	1/17/2018	JFM	PART CODE	SIZE	REV.
CHECKED	1/17/2018	EJB	C25343	C	-
APPD.	1/17/2018	JFM	630C2534-3		

SCALE NTS FILE NAME 630C2534-3.Dwg SHEET 1 OF 1