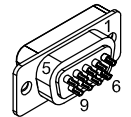


REVISIONS			
REV.	DESCRIPTION	DRAWN	DATE

9D-MALE, ECK00137
BACKSHELL, ECK01021

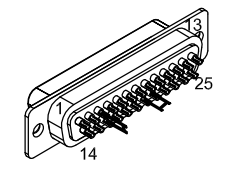


PIN	WIRE	SIGNAL
7	BRN	COM
4	VIO	ENC +5V
	YEL	
5	WHT/GRY	MRK
8	W/RED	COS
1	W/YEL	SIN
CASE	SHIELD	SHIELD
6	W/GRN	SIN-N
3	W/ORN	COS-N
9	WHT/BRN	MRK-N
2	TAN	COM

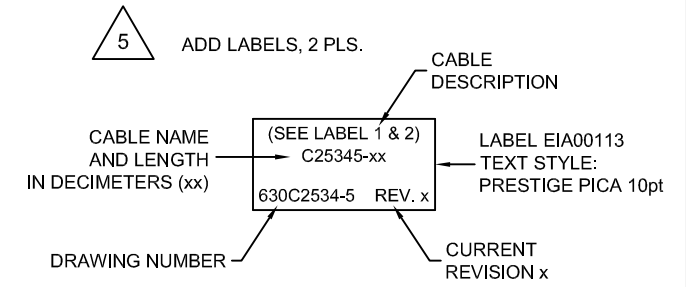
ECX00428, #22 AWG X10

UNUSED WIRES:
NONE

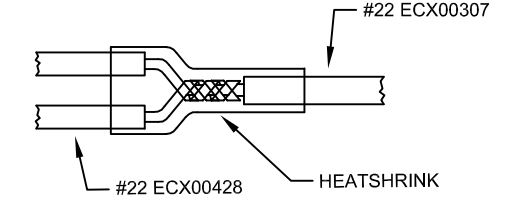
SIGNAL	WIRE	PIN
-	-	13
-	-	12
-	-	11
-	-	10
-	-	9
-	-	8
MRK	WHT/GRY	7
MRK-N	WHT/BRN	6
-	-	5
-	-	4
ENC +5V	VIO	3
-	-	2
-	-	1
SHIELD	SHIELD	CASE
COS	W/RED	14
COS-N	W/ORN	15
ENC +5V	YEL	16
SIN	W/YEL	17
SIN-N	W/GRN	18
-	-	19
ENC COM	BRN	20
ENC COM	TAN	21
-	-	22
-	-	23
-	-	24
-	-	25



25D FEMALE, ECK00300
BACKSHELL, ECK00656
JACK SOCKETS, ECK00129
GOLD JUMPER, X2, EIK00351

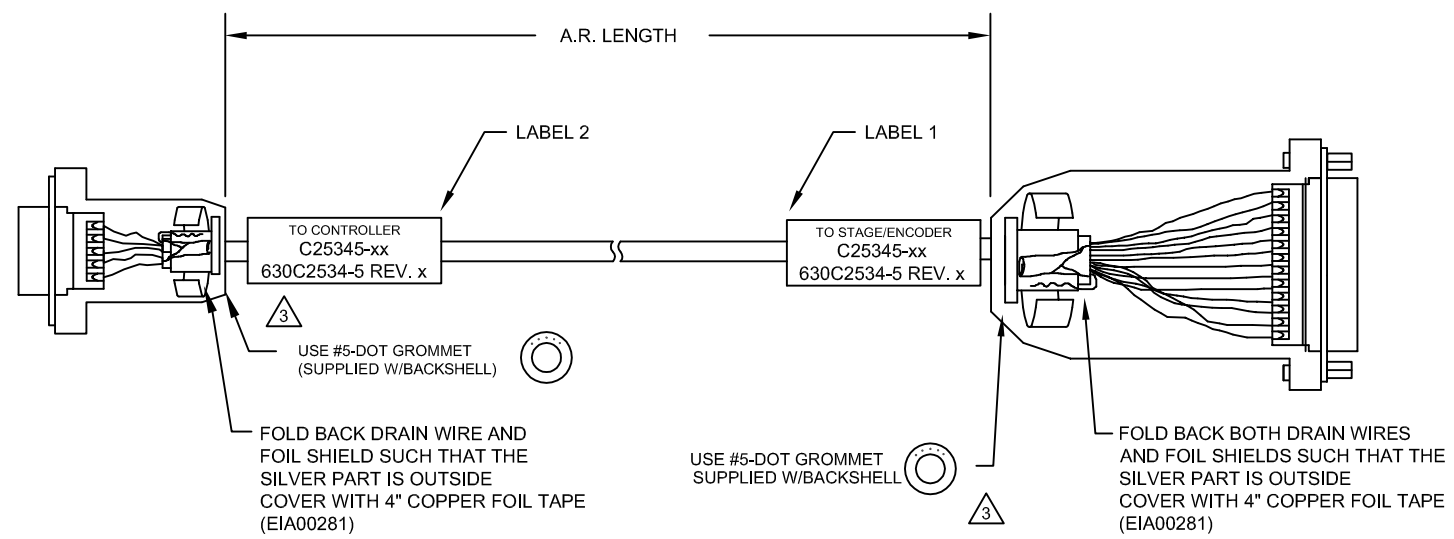


4 SPLICE 2, #22 WIRES TO A #22 VIO WIRE, SOLDER AND COVER WITH HEATSHRINK



3 VERIFY GROMMET IS SECURED TIGHTLY AROUND CABLE. IF NECESSARY BUILD UP WITH SHRINK TUBING.

1 STARTING CABLE LENGTH SHOULD BE 5 IN LONGER THAN TOTAL LENGTH OF CABLE. LENGTH OF CABLE IS DESIGNATED BY THE (XX) IN CABLE NAME.



PROPRIETARY INFORMATION
THIS DRAWING IS THE PROPERTY OF AEROTECH, INC. AND IS SUBMITTED IN CONFIDENCE AND SHALL NOT BE REPRODUCED NOR COPIED NOR DISCLOSED TO OTHERS UNDER PENALTY OF LAW.

AEROTECH
AEROTECH, INC. 101 Zeta Drive
Pittsburgh, PA. 15238
(412)963-7470
www.aerotech.com

FRACTIONS	DECIMALS	ANGLES
0 TO 6 ±1/32	.XX ±.01	± 0-30'
OVER 6 ±1/16	.XXX ±.005	

XR3/XR6 Secondary Feedback Cable to 25DJS
ENC FB-9D-25DJS-MAX116DM

RMS FINISH EXCEPT AS NOTED

DRAWN	1/17/2018	JFM
CHECKED	1/17/2018	JAB
APPD.	1/17/2018	JFM

PART CODE	SIZE	REV.
C25345	C	-
630C2534-5		
SCALE	NTS	FILE NAME
		630C2534-5.Dwg
SHEET	1 OF 1	