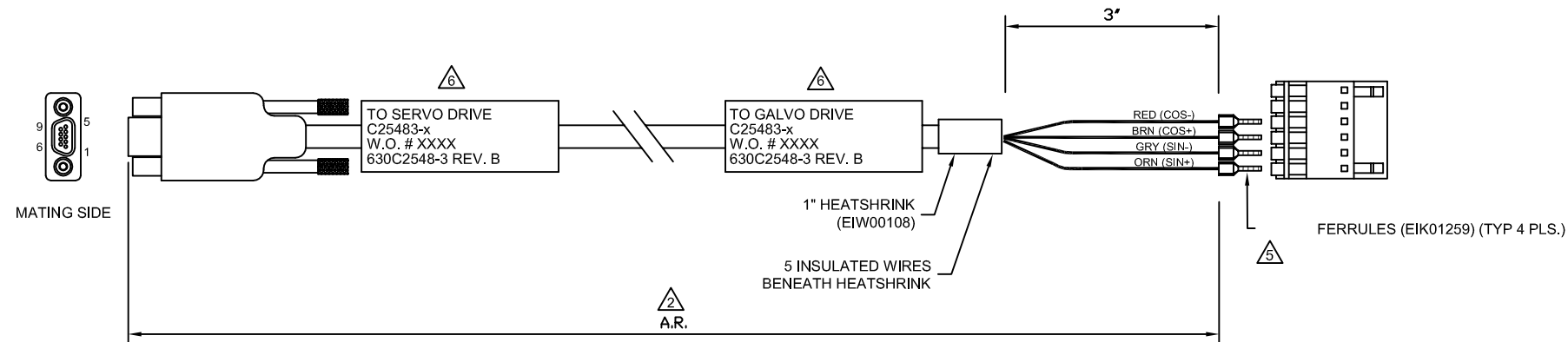
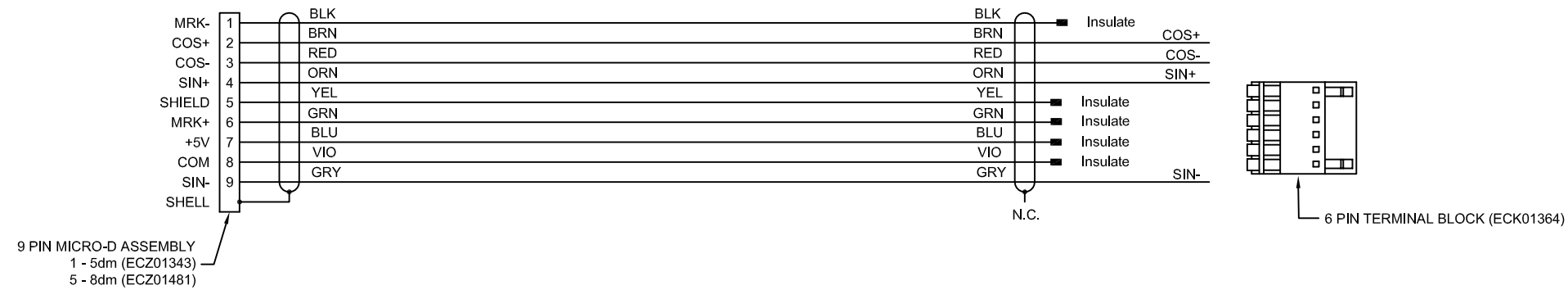


REVISIONS				
REV.	ZONE	DESCRIPTION	DATE	DRAWN
A		ADDED ECN17908	12/16	ZGKENNELLY
B		ADDED ECO0002668	01/19	AFORREST

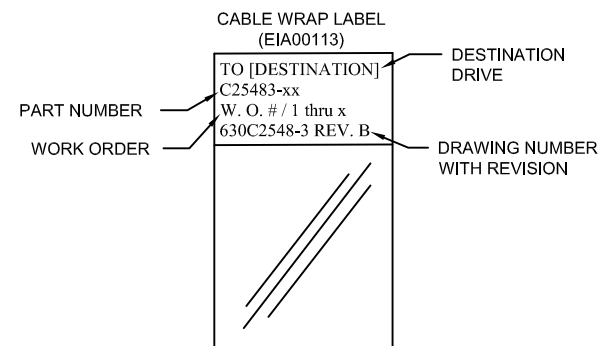


⚠ FERRULE CRIMP TOOL
USE PHOENIX CONTACT CRIMPER "CRIMPFOX 6T-F"

⚠ CABLE LENGTH
CAUTION, CABLE LENGTHS (XX) ARE IN DECIMETERS
EXAMPLE: C25483-3
3 = 3 DECIMETERS (300mm) = 1 FT. (11.81")

⚠ STARTING CABLE LENGTH = 6"
LONGER THAN REQUIRED LENGTH.

⚠ LABELS FOR C25483 CABLES:
2 REQUIRED, (1 AT EACH END)



PROPRIETARY INFORMATION
THIS DRAWING IS THE PROPERTY
OF AEROTECH, INC. AND IS
SUBMITTED IN CONFIDENCE AND
SHALL NOT BE REPRODUCED NOR
COPIED NOR DISCLOSED TO OTHERS
UNDER PENALTY OF LAW.



AEROTECH, INC. 101 Zeta Drive
Pittsburgh, PA. 15238
(412)963-7470
www.aerotech.com

TOLERANCES ON
FRACTIONS DECIMALS ANGLES
0 TO 6 ± 1/32 .XX ± .01 ± 0-30°
OVER 6 ± 1/16 .XXX ± .005

RMS FINISH EXCEPT AS NOTED

DRAWN	JFM	1/18/2016
CHECKED	AGS	1/18/2016
APPD.	JFM	1/18/2016

ML/MP/XC2 AUX ENCODER TO GCL/GL4
CABLE: ENC FB-9MDT-6TS-MAX8DM

PART CODE	SIZE	REV.
C25483-xx	C	B
630C2548-3		
SCALE	FILE NAME	SHEET
NTS	630C2548-3.dwg	1 OF 1