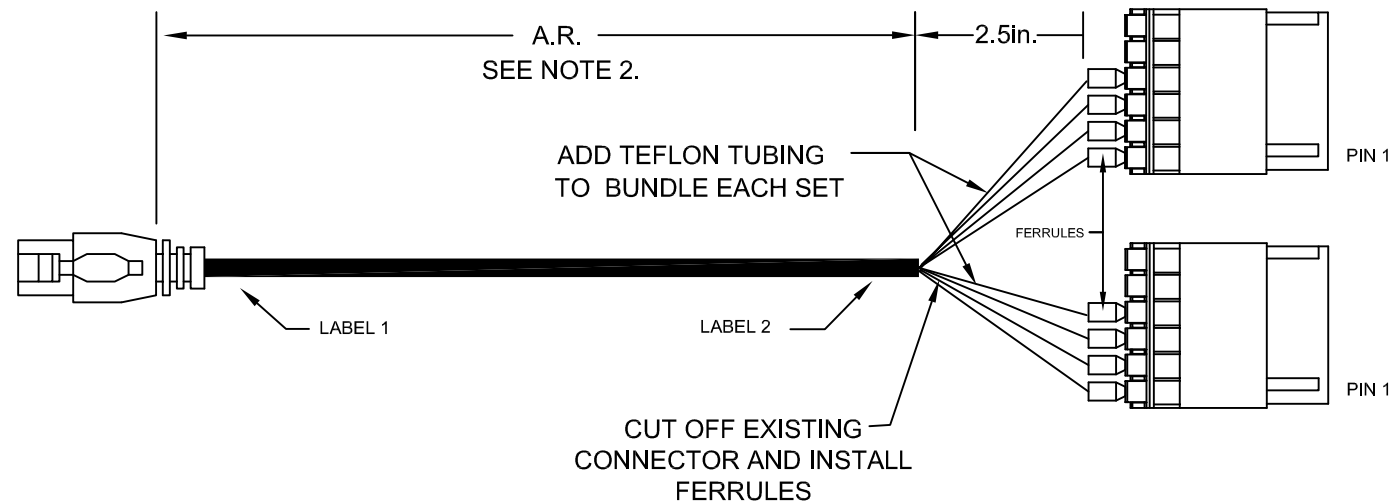
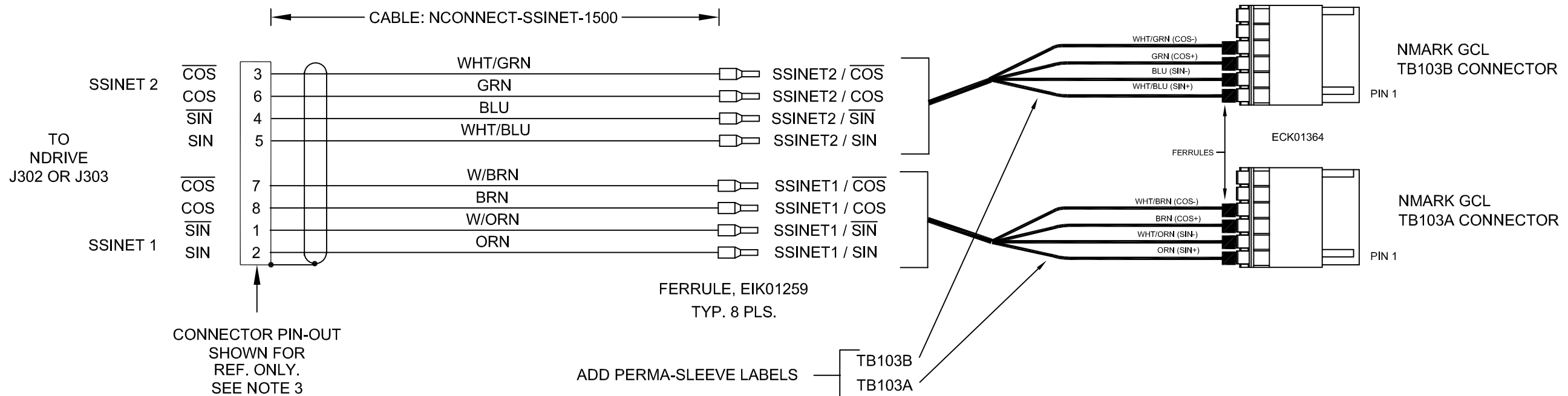
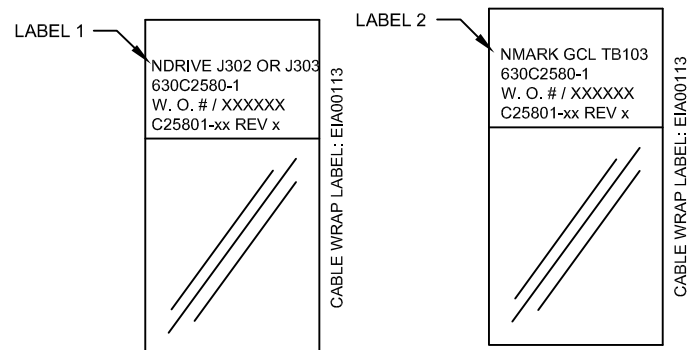


REVISIONS		DATE	DRAWN
REV.	DESCRIPTION		
A	ADDED ECN 17909	12/16	ZGKENNELLY



**1. CABLE LABELS**

2 REQUIRED, 1 AT EACH END



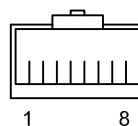
**2. CABLE LENGTH**


CABLE LENGTHS xx ARE IN DECIMETERS  
EXAMPLE: C25801-1

3 = 3 DECIMETERS (300mm) = 1FT.

**3. RJ-45 CONNECTOR**

VIEW LOOKING INTO CONNECTOR



PROPRIETARY INFORMATION THIS DRAWING IS THE PROPERTY OF AEROTECH, INC. AND IS SUBMITTED IN CONFIDENCE AND SHALL NOT BE REPRODUCED NOR COPIED NOR DISCLOSED TO OTHERS UNDER PENALTY OF LAW.			 AEROTECH, INC. 101 Zeta Drive Pittsburgh, PA. 15238 (412)963-7470 www.aerotech.com	
TOLERANCES ON FRACTIONS DECIMALS ANGLES 0 TO 6 ±1/32 .XX ±01 ± 0-30' OVER 6 ±1/16 .XXX ±005			<b>C25801</b> <b>CABLE: SSINET-6TS-MAX50DM</b> <b>NDRIVE SSI TO NMARK GCL TB103 A/B</b>	
RMS FINISH	✓	EXCEPT AS NOTED	PART CODE	SIZE
DRAWN	JFM	10/21/2016	C25801	C
CHECKED	RR	10/21/2016	<b>630C2580-1</b>	
APPD.	JFM	10/21/2016	SCALE NTS	REV. A
FILE NAME 630C2580-1.Dwg			SHEET 1 OF 1	