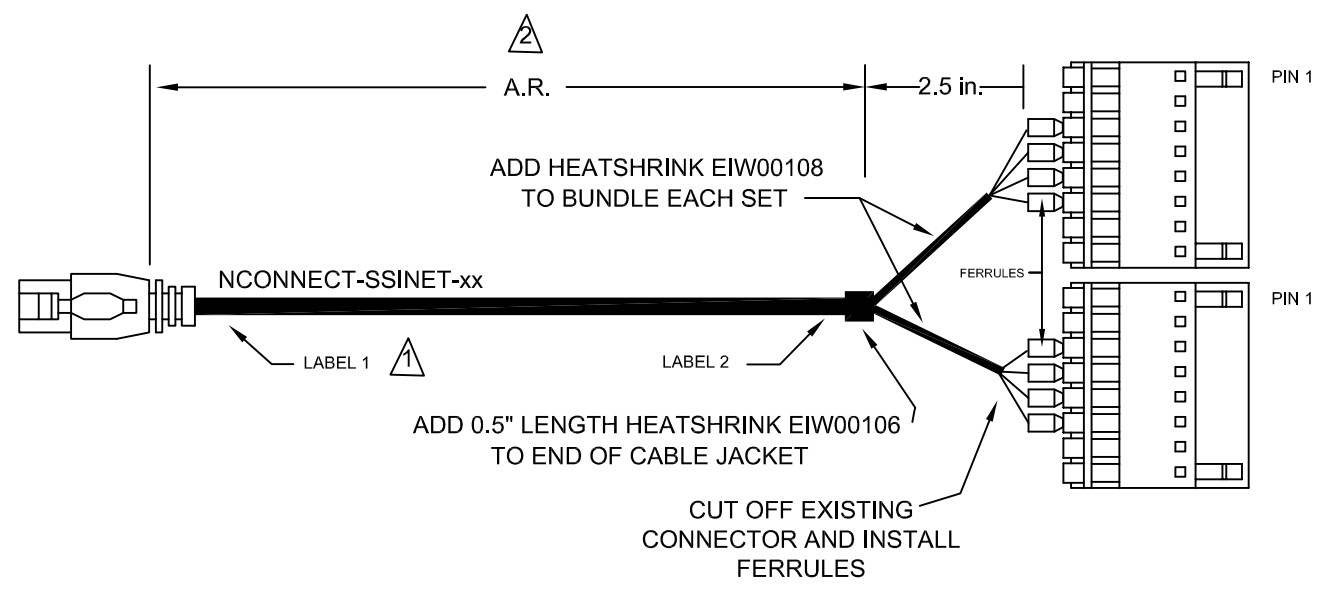
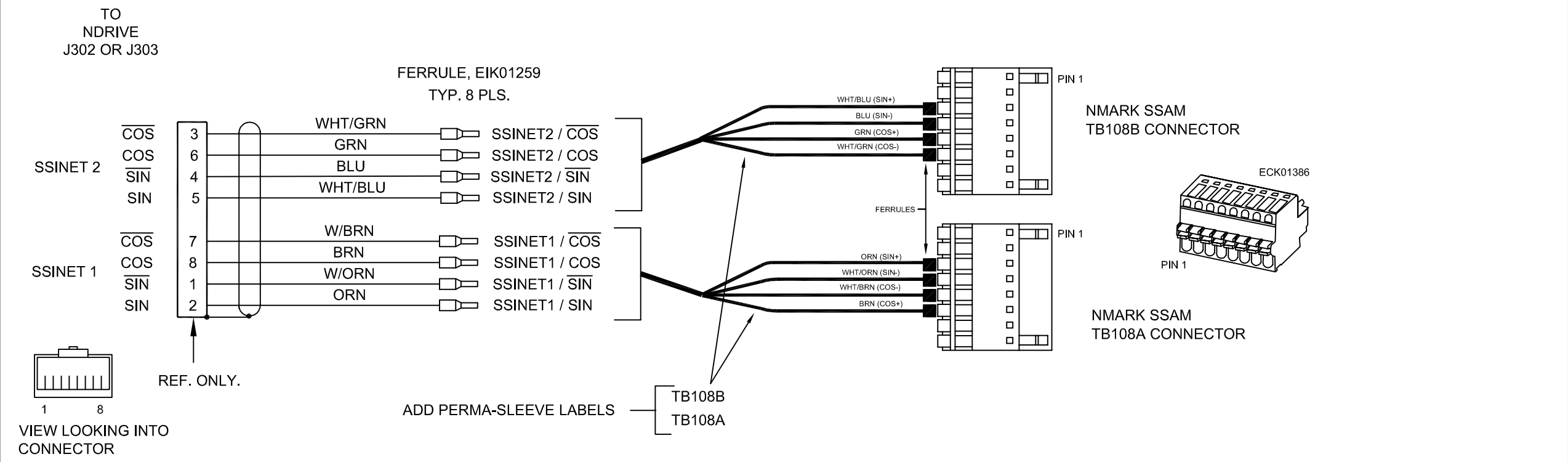
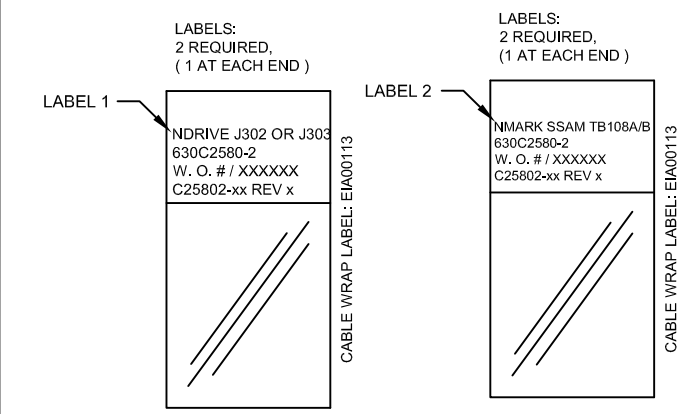


REVISIONS			
REV.	DESCRIPTION	DATE	DRAWN



CABLE LABELS



CABLE LENGTH

CABLE LENGTHS xx ARE IN DECIMETERS
EXAMPLE: C25802-3
3 = 3 DECIMETERS

PROPRIETARY INFORMATION THIS DRAWING IS THE PROPERTY OF AEROTECH, INC. AND IS SUBMITTED IN CONFIDENCE AND SHALL NOT BE REPRODUCED NOR COPIED NOR DISCLOSED TO OTHERS UNDER PENALTY OF LAW.		AEROTECH, INC. 101 Zeta Drive Pittsburgh, PA. 15238 (412)963-7470 www.aerotech.com	
TOLERANCES ON FRACTIONS 0 TO 6 ±1/32 DECIMALS .XX ±01 ANGLES ± 0-30' OVER 6 ±1/16 .XXX ±005		C25802 CABLE: SSINET-8TS-MAX28DM NDRIVE SSI TO NMARK SSAM TB108 A/B	
RMS FINISH	EXCEPT AS NOTED	PART CODE	SIZE
DRAWN	JFM 10/30/2017	C25802	C
CHECKED	JAB 10/30/2017	630C2580-2	
APPD.	JFM 10/30/2017	SCALE NTS	FILE NAME 630C2580-2.Dwg
		SHEET 1 OF 1	