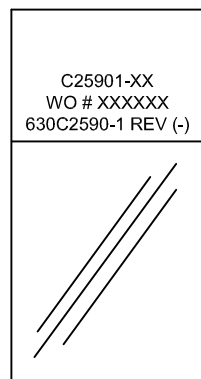
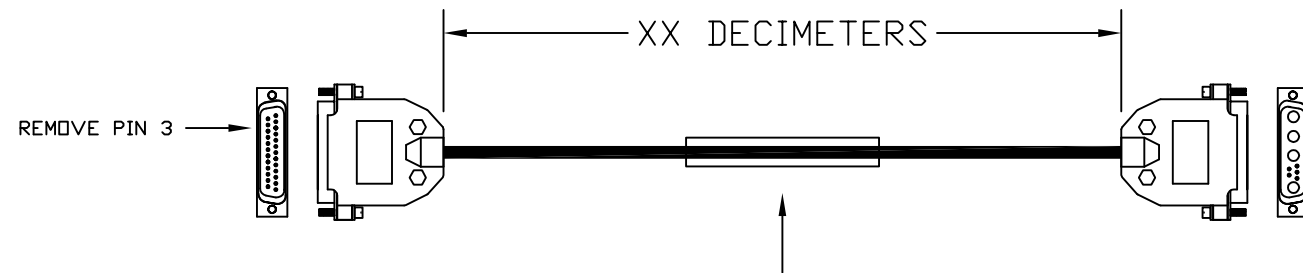
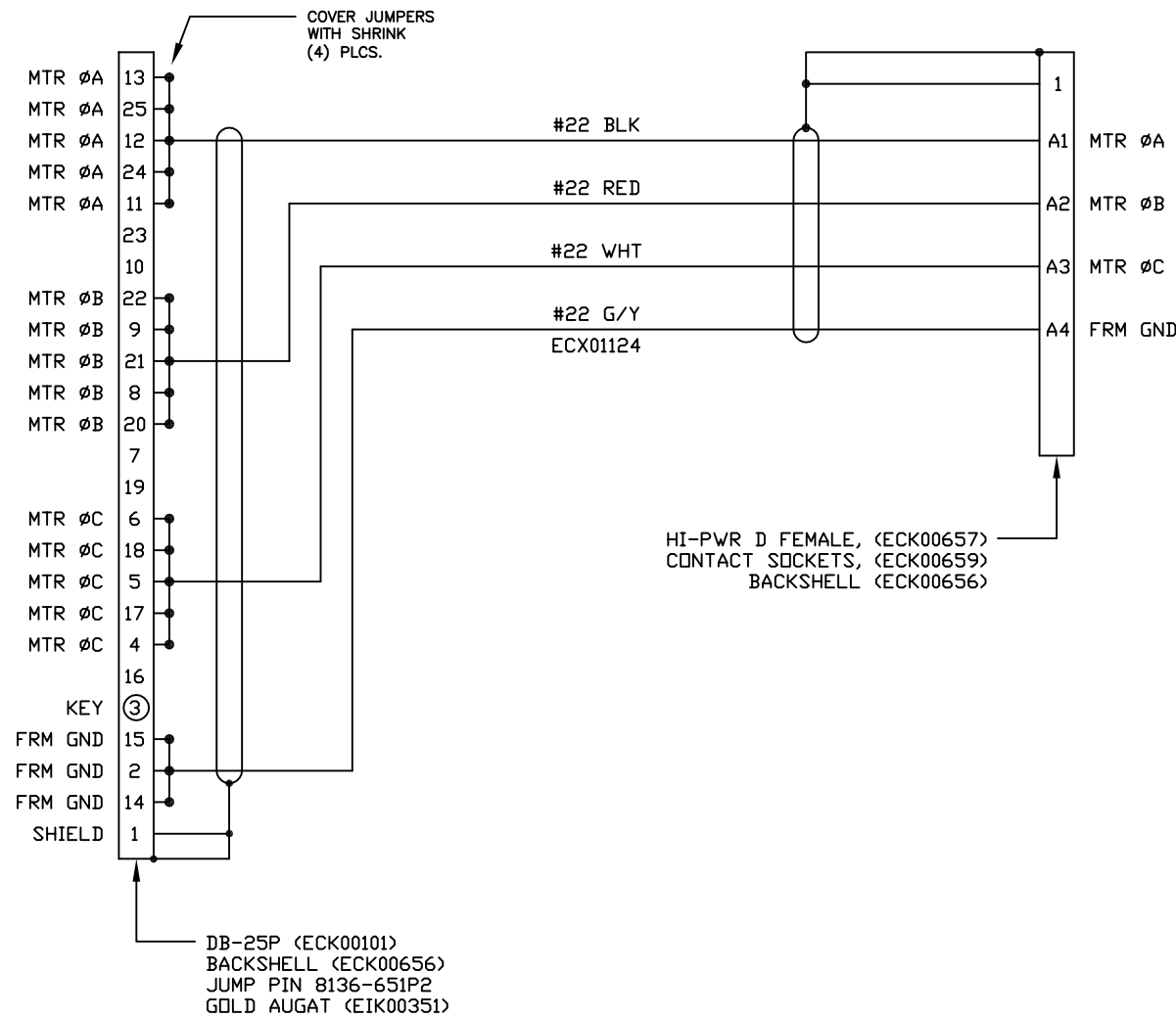
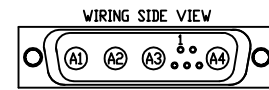
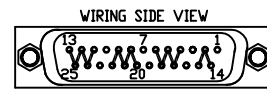


REVISIONS				
REV.	ZONE	DESCRIPTION	DATE	DRAWN



CABLE LABEL: EIA00113

PROPRIETARY INFORMATION
THIS DRAWING IS THE PROPERTY
OF AEROTECH, INC. AND IS
SUBMITTED IN CONFIDENCE AND
SHALL NOT BE REPRODUCED NOR
COPIED NOR DISCLOSED TO OTHERS
UNDER PENALTY OF LAW.



AEROTECH, INC. 101 Zeta Drive
Pittsburgh, PA. 15238
(412)963-7470
www.aerotech.com

TOLERANCES ON		
FRACTIONS	DECIMALS	ANGLES
0 TO 6 ± 1/32	.XX ± .01	± 0-30'
OVER 6 ± 1/16	.XXX ± .005	

RMS FINISH EXCEPT AS NOTED

DRAWN	BEB	02/23/17
CHECKED	BEB	02/23/17
APPD.	BEB	02/23/17

C25901-XX
CABLE:BL MTR-25-4DU-HF
MOTOR EXTENSION CABLE

PART CODE	SIZE	REV.
	C	-
SCALE NTS	FILE NAME	SHEET
	630C2590-101.DWG	1 OF 1

630C2590-1