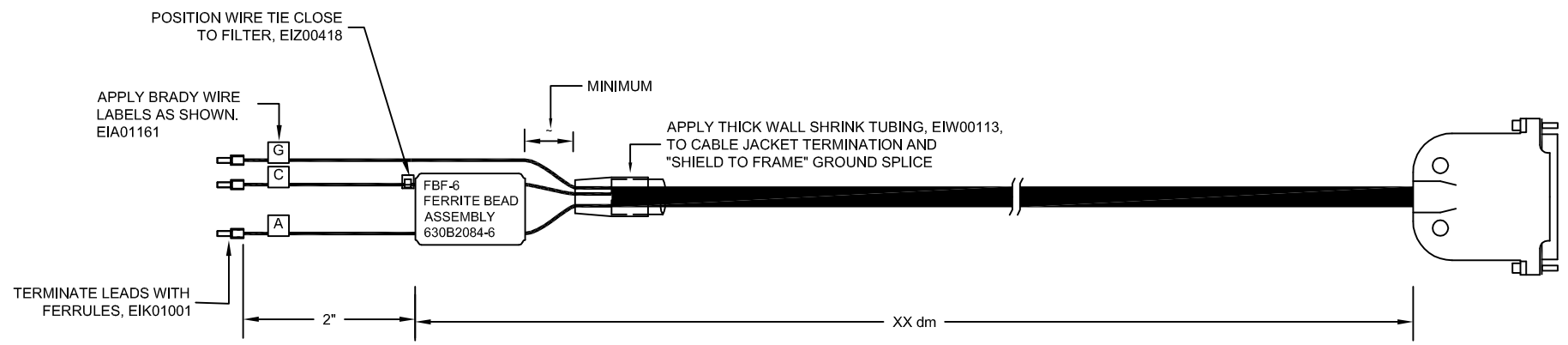
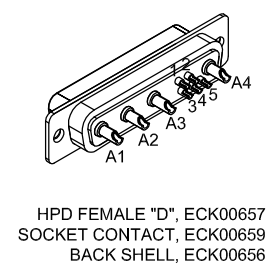
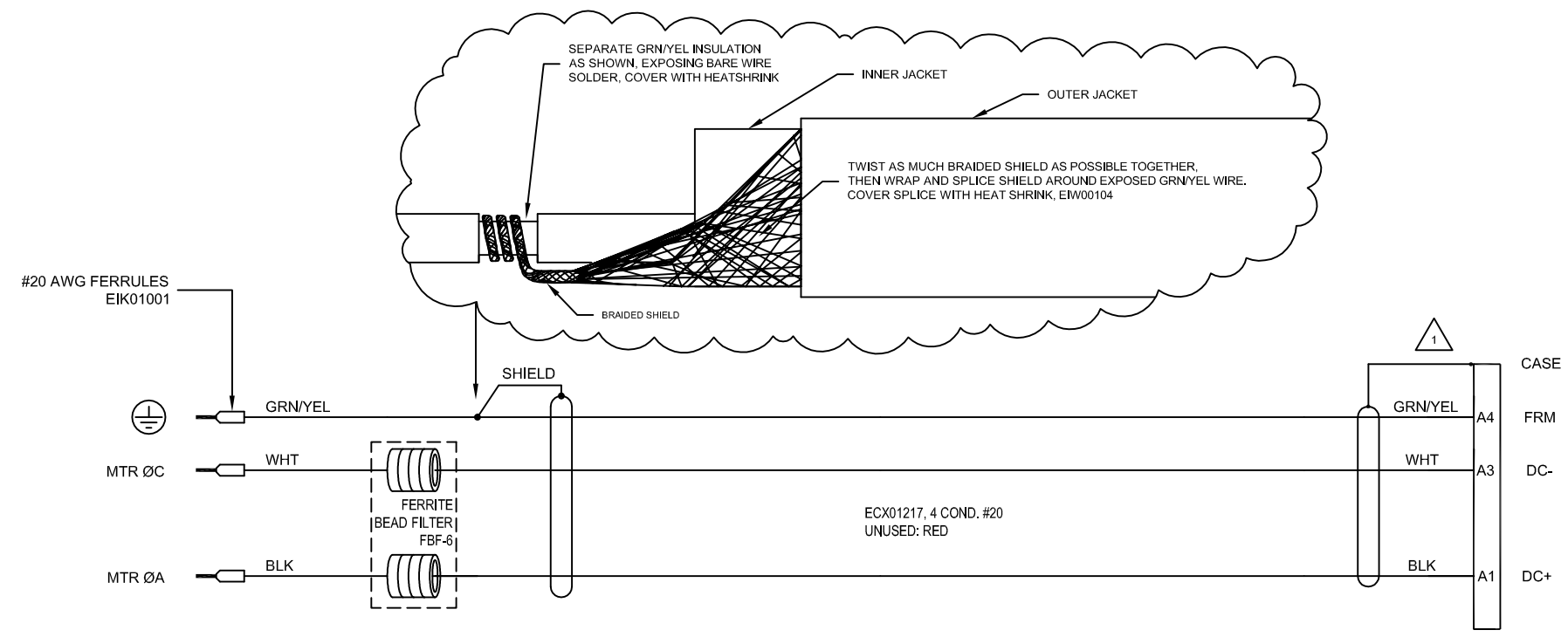
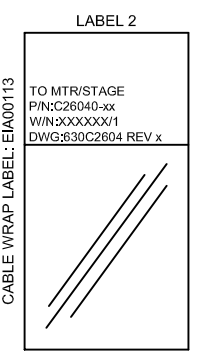
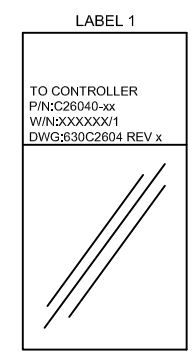
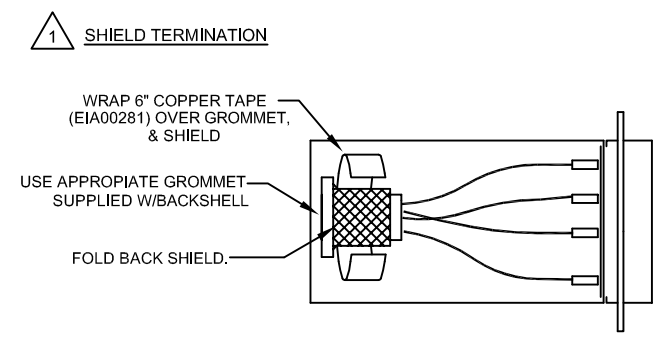


REVISIONS			
REV.	DESCRIPTION	DATE	DRAWN



- 3 VERIFY GROMMET IS SECURED TIGHTLY AROUND CABLE. IF NECESSARY BUILD UP WITH SHRINK TUBING.
- 2 INSULATE ALL SOLDER CUP CONNECTIONS WITH HEATSHRINK, TYP. EIW00104



PROPRIETARY INFORMATION
 THIS DRAWING IS THE PROPERTY OF AEROTECH, INC. AND IS SUBMITTED IN CONFIDENCE AND SHALL NOT BE REPRODUCED NOR COPIED NOR DISCLOSED TO OTHERS UNDER PENALTY OF LAW.

TOLERANCES ON		
FRACTIONS	DECIMALS	ANGLES
0 TO 6 ±1/32	.XX ±.01	± 0-30'
OVER 6 ±1/16	.XXX ±.005	

RMS FINISH	<input checked="" type="checkbox"/>	EXCEPT AS NOTED
------------	-------------------------------------	-----------------

DRAWN	JFM	12/27/17
CHECKED	JAB	12/27/17
APPD.	JFM	12/27/17

		AEROTECH, INC. 101 Zeta Drive Pittsburgh, PA. 15238 (412)963-7470 www.aerotech.com	
		CABLE: DC MTR-FLB-4D-5ARMS-MAX450DM (DC MOTOR CABLE WITH FLYING LEADS)	
PART CODE	SIZE	REV.	
C26040	C	630C2604	-
SCALE	NTS	FILE NAME	SHEET
		630C2604.Dwg	1 of 1