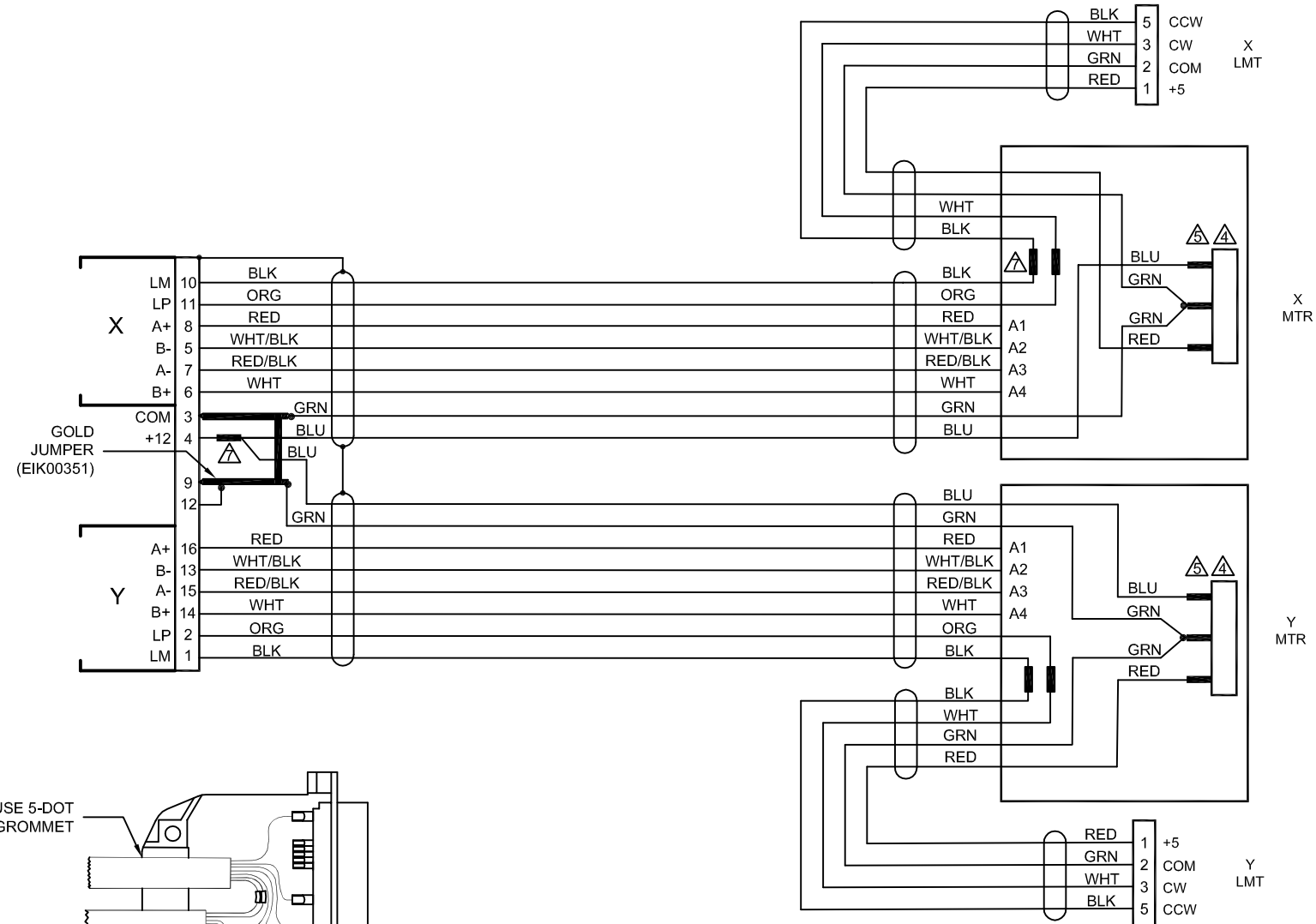
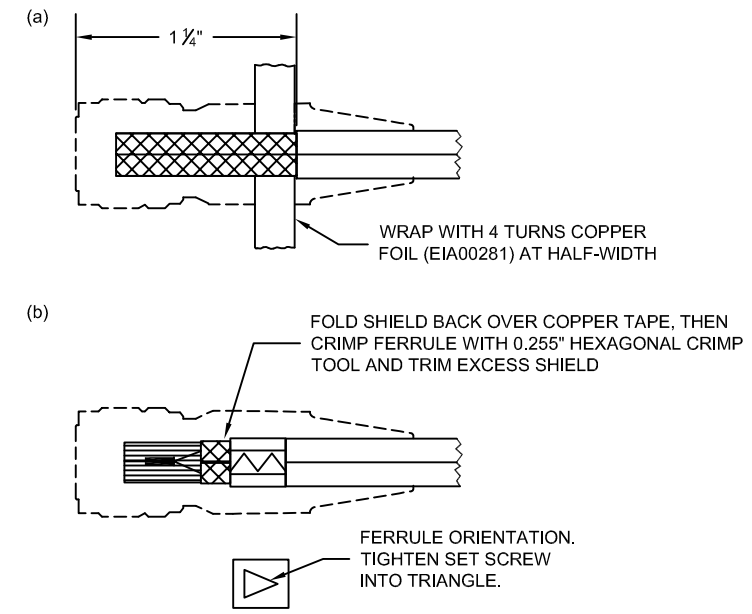


REVISIONS			
REV.	DESCRIPTION	DRAWN	DATE
A	INITIAL REV.	AF	01/19



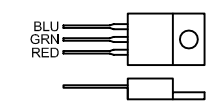
△ SPLICE AND SHRINK TUBE (EIW00101) (TYP. 5 PLS.).

△ HIROSE CONNECTOR SHIELDING:



△ INSULATE EACH SOLDER CONNECTION TO LEADS USING HEATSHRINK (EIW00101), THEN INSULATE ENTIRE REGULATOR WITH TEFLON HEATSHRINK (EIW01033).

△ VOLTAGE REGULATOR ORIENTATION:

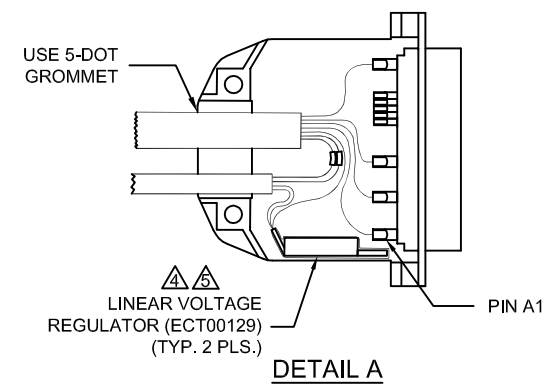


3. ALL TOLERANCES ARE +/- .25".

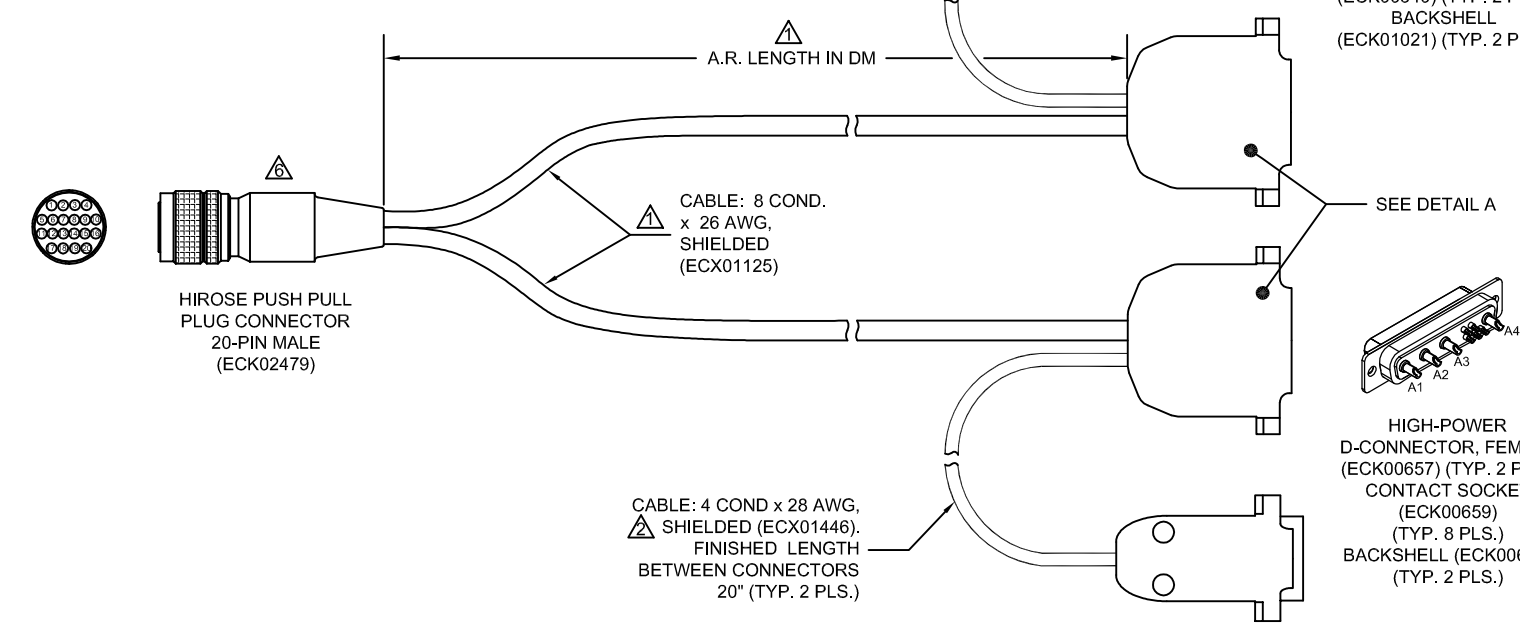
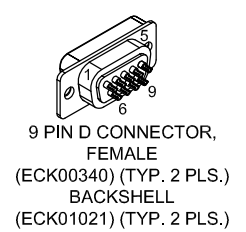
△ STARTING LENGTH FOR EACH LENGTH OF CABLE ECX01446 IS 22.75".

△ AS-REQUIRED CABLE LENGTH IS DETERMINED BY PART NUMBER C26272-XX, WHERE XX IS THE LENGTH BETWEEN CONNECTORS, IN DECIMETERS. EXAMPLE: FOR C26272-30, 30=30 DECIMETERS (3 METERS). STARTING CABLE LENGTH IS EQUAL TO THE AS-REQUIRED LENGTH, PLUS 4".

NOTES:



BUILD UP CABLE DIA. USING 2 LAYERS OF TUBE SHRINK (EIW00108), THEN USE 5-DOT GROMMET



PROPRIETARY INFORMATION  
 THIS DRAWING IS THE PROPERTY OF AEROTECH, INC. AND IS SUBMITTED IN CONFIDENCE AND SHALL NOT BE REPRODUCED NOR COPIED NOR DISCLOSED TO OTHERS UNDER PENALTY OF LAW.

**AEROTECH** AEROTECH, INC., 101 Zeta Drive  
 Pittsburgh, PA. 15238-2897, USA  
 HTTP://www.aerotech.com

TOLERANCES ON		
FRACTIONS	DECIMALS	ANGLES
0 TO 6 #1/32	.XX ±01	± 0-30'
OVER 6 ±1/16	.XXX ±005	

**SM MTR-HR20-25D**  
**9D-25D 9D-1.5ARMS-HF47-MAX50DM**

DRAWN	AF	01/19
CHECKED	ZGK	01/19
APPD.	JFM, NR	01/19

PART CODE	SIZE	REV.
C26272-XX	C	630C2627-2 A
SCALE	FILE NAME	SHEET
NTS	630C2627-2SHT1.dwg	1 OF 1