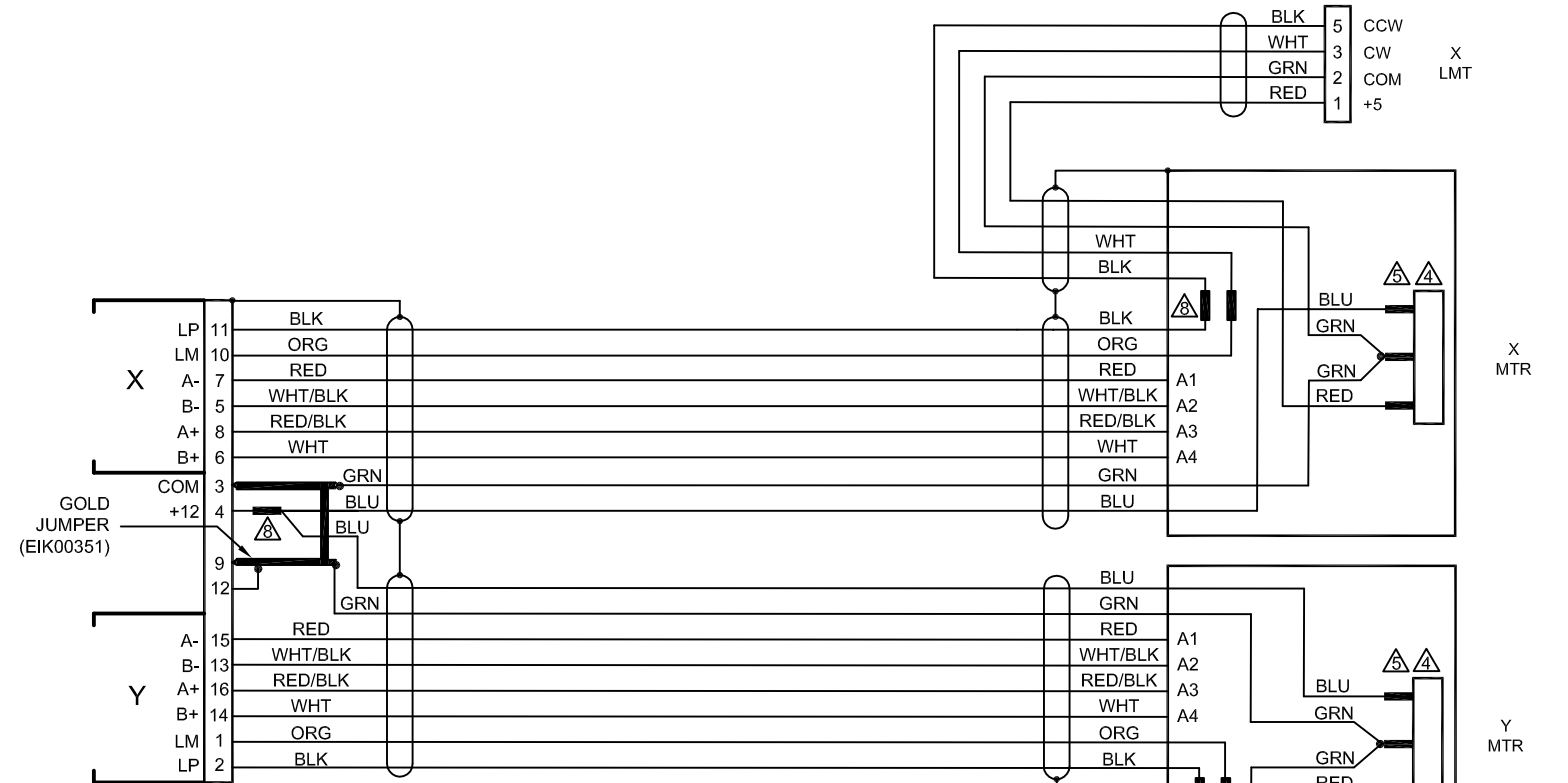
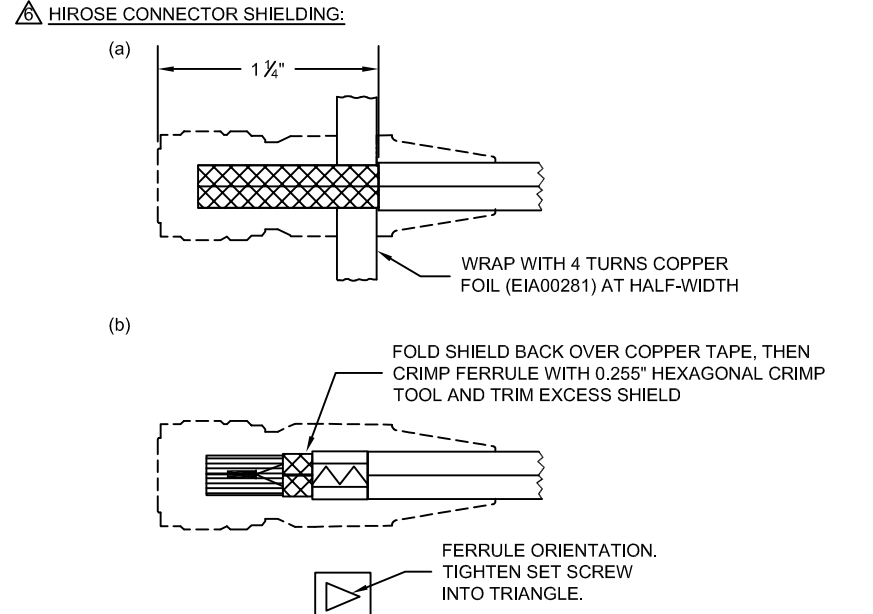


REVISIONS			
REV.	DESCRIPTION	DRAWN	DATE
A	INITIAL REV.	AF	12/19



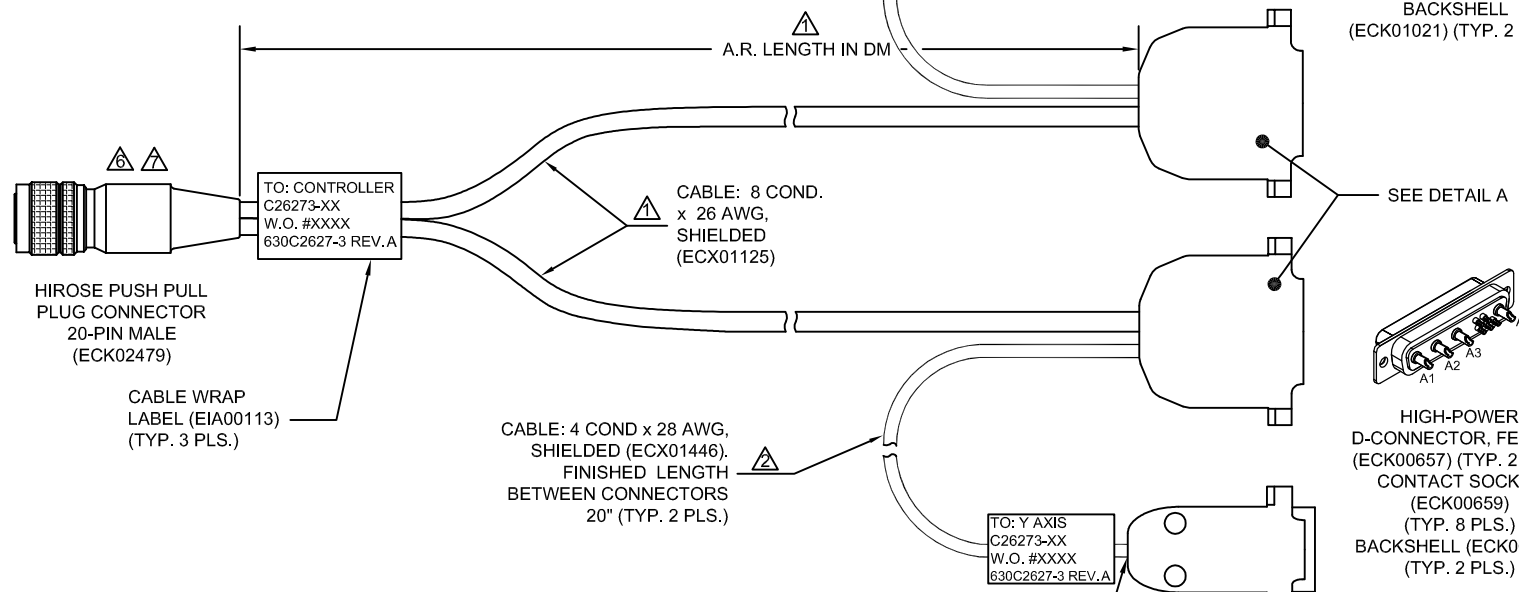
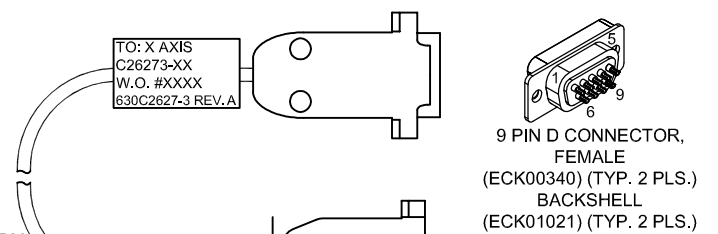
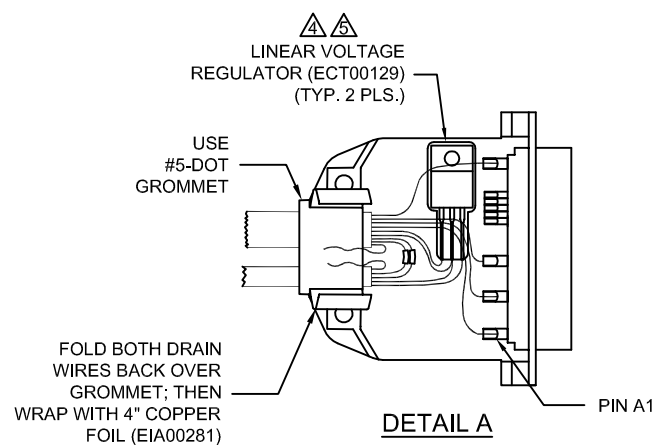
- ⚠ SPLICE AND SHRINK TUBE (EIW00101) (TYP. 5 PLS.).
- ⚠ HIROSE CONNECTION:
 - DRILL OUT BACK OF CONNECTOR USING 1/32" DRILL BIT.
 - USE ALCOHOL TO MOVE RUBBER BOOT AND BACKSHELL TO PREVENT CABLE SCRATCHING.
 - REPLACE SET SCREW WITH HNJ0002506.
 - WIRING SIDE VIEW:



- ⚠ INSULATE EACH SOLDER CONNECTION TO LEADS USING HEATSHRINK (EIW00101), THEN INSULATE ENTIRE REGULATOR WITH TEFLON HEATSHRINK (EIW01033).
 - ⚠ VOLTAGE REGULATOR ORIENTATION:
-

3. ALL TOLERANCES ARE +/- .25".
- ⚠ STARTING LENGTH FOR EACH LENGTH OF CABLE ECX01446 IS 22.75".
- ⚠ AS-REQUIRED CABLE LENGTH IS DETERMINED BY PART NUMBER C26273-XX, WHERE XX IS THE LENGTH BETWEEN CONNECTORS, IN DECIMETERS. EXAMPLE: FOR C26273-30, 30=30 DECIMETERS (3 METERS). STARTING CABLE LENGTH IS EQUAL TO THE AS-REQUIRED LENGTH, PLUS 4".

NOTES:



CABLE: 4 COND x 28 AWG, SHIELDED (ECX01446). FINISHED LENGTH BETWEEN CONNECTORS 20" (TYP. 2 PLS.)

BUILD UP CABLE DIA. USING 2 LAYERS OF TUBE SHRINK (EIW00108), THEN USE 5-DOT GROMMET (TYP. 2 PLS.)

PROPRIETARY INFORMATION THIS DRAWING IS THE PROPERTY OF AEROTECH, INC. AND IS SUBMITTED IN CONFIDENCE AND SHALL NOT BE REPRODUCED NOR COPIED NOR DISCLOSED TO OTHERS UNDER PENALTY OF LAW.			AEROTECH, INC., 101 Zeta Drive Pittsburgh, PA. 15238-2897, USA HTTP://www.aerotech.com		
TOLERANCES ON FRACTIONS DECIMALS ANGLES 0 TO 6 ±1/32 .XX ±01 ± 0-30' OVER 6 ±1/16 .XXX ±005			SM MTR-HR20-25D 9D-25D 9D-1.5ARMS-HF47-MAX50DM (MOVING MICROSCOPE)		
RMS FINISH	✓	EXCEPT AS NOTED	PART CODE	SIZE	REV.
DRAWN	AF	01/19	C26273-XX	C	630C2627-3 A
CHECKED	ZGK	01/19	SCALE	FILE NAME	SHEET
APPD.	JFM, NR	01/19	NTS	630C2627-3SHT1.dwg	1 OF 1