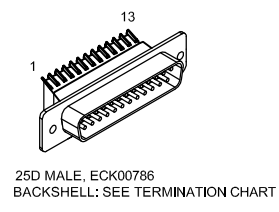


| REVISIONS | | | |
|-----------|------------------|-----------|-------|
| REV. | DESCRIPTION | DATE | DRAWN |
| A | ADDED ECN 9102 | 1/16/06 | EJB |
| B | ADDED ECN 15010A | 8/09/13 | AMC |
| C | ADDED ECO 2363 | 10/5/2016 | JFM |
| D | ADDED ECO 2415 | 0/26/2016 | JFM |

CONTROL END

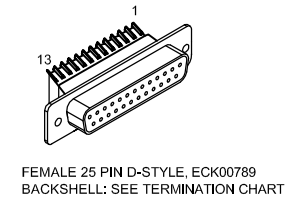


| PIN | WIRE | SIGNAL |
|-----|----------|-----------|
| 13 | WHT/PINK | BRK- |
| 12 | PINK | CW/+ LMT |
| 11 | YEL/BRN | HC |
| 10 | GRY/BRN | HA |
| 9 | - | - |
| 8 | - | - |
| 7 | YEL | MKR |
| 6 | WHT/YEL | MKR-N |
| 5 | WHT/GRN | HB |
| 4 | BRN/GRN | STAGE ID |
| 3 | VIO | - |
| 3 | WHT/BLK | ENC +5V |
| 2 | WHT/BLU | - |
| 2 | GRY | EXT SD |
| 1 | - | - |
| 14 | WHT | COS |
| 15 | WHT/GRY | COS-N |
| 16 | RED | LMT +5V |
| 17 | BLUE | SIN |
| 18 | RED/BLUE | SIN-N |
| 19 | - | - |
| 20 | BLK | LMT COM |
| 21 | GRN | - |
| 21 | BRN/BLU | ENC COM |
| 21 | BRN/RED | - |
| 21 | WHT/RED | - |
| 22 | BRN | HOME LMT |
| 23 | - | - |
| 24 | GRY/PINK | CCW/- LMT |
| 25 | PINK/BRN | BRK+ |

ECX01192, 25 COND. #24
UNUSED WIRES (ECX01192): NONE

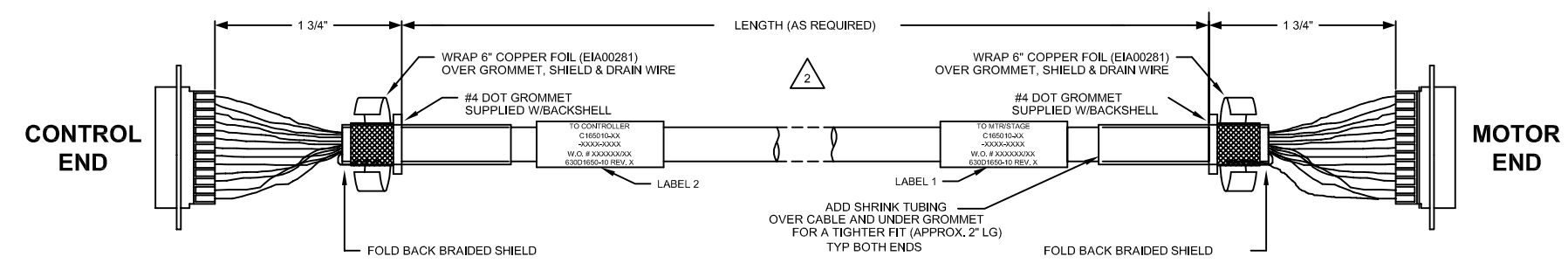
| SIGNAL | WIRE | SOCKET |
|-----------|----------|--------|
| - | - | 1 |
| EXT SD | GRY | 2 |
| ENC +5V | WHT/BLU | 3 |
| | WHT/BLK | |
| | VIO | |
| STAGE ID | BRN/GRN | 4 |
| HB | WHT/GRN | 5 |
| MKR-N | WHT/YEL | 6 |
| MKR | YEL | 7 |
| - | - | 8 |
| - | - | 9 |
| HA | GRY/BRN | 10 |
| HC | YEL/BRN | 11 |
| CW/+ LMT | PINK | 12 |
| BRK- | WHT/PINK | 13 |
| BRK+ | PINK/BRN | 25 |
| CCW/- LMT | GRY/PINK | 24 |
| - | - | 23 |
| HOME LMT | BRN | 22 |
| ENC COM | WHT/RED | 21 |
| | BRN/RED | |
| | BRN/BLU | |
| | GRN | |
| LMT COM | BLK | 20 |
| - | - | 19 |
| SIN-N | RED/BLUE | 18 |
| SIN | BLUE | 17 |
| LMT +5V | RED | 16 |
| COS-N | WHT/GRY | 15 |
| COS | WHT | 14 |

MOTOR END



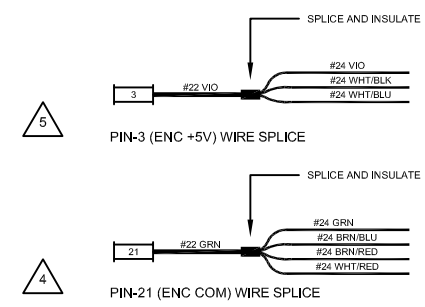
TERMINATION CHART

| | |
|--|---|
| <p>25D STRAIGHT BACKSHELL, ECK00656</p> | <p>25DT STRAIGHT BACKSHELL, ECK00656 TWO THUMBSCREWS, ECK01247</p> |
| <p>25D45L 45 DEGREE BACKSHELL, ECK01070 LEFT HANDED VIEW LOOKING INTO CONTACT SIDE OF CABLE CONNECTOR</p> | <p>25D45R 45 DEGREE BACKSHELL, ECK01070 RIGHT HANDED VIEW LOOKING INTO CONTACT SIDE OF CABLE CONNECTOR</p> |
| <p>25D90L 90 DEGREE BACKSHELL, ECK01370 LEFT HANDED VIEW LOOKING INTO CONTACT SIDE OF CABLE CONNECTOR</p> | <p>25D90R 90 DEGREE BACKSHELL, ECK01370 RIGHT HANDED VIEW LOOKING INTO CONTACT SIDE OF CABLE CONNECTOR</p> |

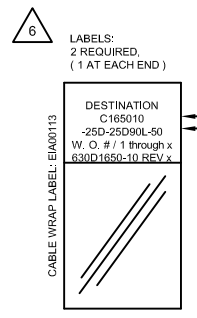


CONFIGURED CABLE PROCEDURE:

- THE PURPOSE OF THIS DRAWING IS TO DEFINE VARIOUS BACKSHELL AND SCREWLOCK TYPES AS REQUIRED BY THE SHOP TRAVELLER.
- LOCATE THE SHOP TRAVELLER FOR CABLE TO BE MANUFACTURED.
 - USING SHOP TRAVELLER AND TERMINATION CHART AT RIGHT:
 - DETERMINE "CONTROL END" TERMINATION.
 - DETERMINE "MOTOR END" TERMINATION.
 - USING THE ABOVE INFORMATION, MANUFACTURE CABLE WITH APPROPRIATE TERMINATIONS.
 - LABEL CABLE WITH NEW CONFIGURED PART NUMBER PER NOTE 6. FOLLOWING THE "CONFIGURED PART NUMBER DEFINITION" SHOWN AT FAR RIGHT.



- FOR CRIMP TOOL USE AMP HANDLE ASSY 58074-1 WITH AMP HEAD ASSY 58063-2
- STARTING CABLE LENGTH = 6 in. BEYOND SPECIFIED LENGTH OF CABLE DO NOT EXCEED LENGTH OF 54 FT FOR THIS DESIGN
- USE #4 DOT GROMMET WHICH IS SUPPLIED W/BACKSHELL



LENGTH (1)
xx - WHERE xx = LENGTH IN DECIMETERS

MOTOR END (1)
25D - STRAIGHT BACKSHELL
25DT - STRAIGHT BACKSHELL w/THUMBSCREWS
25D45L - 45 DEGREE BACKSHELL - LEFT HAND
25D45R - 45 DEGREE BACKSHELL - RIGHT HAND
25D90L - 90 DEGREE BACKSHELL - LEFT HAND
25D90R - 90 DEGREE BACKSHELL - RIGHT HAND

CONTROL END (1)
25D - STRAIGHT BACKSHELL
25DT - STRAIGHT BACKSHELL w/THUMBSCREWS
25D45L - 45 DEGREE BACKSHELL - LEFT HAND
25D45R - 45 DEGREE BACKSHELL - RIGHT HAND
25D90L - 90 DEGREE BACKSHELL - LEFT HAND
25D90R - 90 DEGREE BACKSHELL - RIGHT HAND

BASE PART (1)
CONFIGURED PART NUMBER → C165010 -25D -25D90L -50

CONFIGURED PART NUMBER DEFINITION
NUMBER SHOWN FOR EXAMPLE ONLY

| | | | |
|---|-------------------------------|---|---------------|
| PROPRIETARY INFORMATION THIS DRAWING IS THE PROPERTY OF AEROTECH, INC. AND IS SUBMITTED IN CONFIDENCE AND SHALL NOT BE REPRODUCED NOR COPIED NOR DISCLOSED TO OTHERS UNDER PENALTY OF LAW. | | AEROTECH, INC. 101 Zeta Drive Pittsburgh, PA, 15238 (412)963-7470 www.aerotech.com | |
| CABLE: CONFIGURED HIGH-FLEX BRUSHLESS FEEDBACK CABLE CON-CFG BL FB-25D-25D-HF120-MAX183DM | | | |
| TOLERANCES ON FRACTIONS DECIMALS ANGLES 0 TO 6 ±1/32 .XX ±01 ° 0-30' OVER 6 ± 1/16 .XXX ±.005 | | RMS FINISH EXCEPT AS NOTED | |
| DRAWN: EJB CHECKED: JLD APPD: JLD | 11/4/04 11/4/04 11/4/04 | PART CODE: C165010 SIZE: D SCALE: NTS FILE NAME: 630D1650-10.DWG | SHEET: 1 OF 1 |