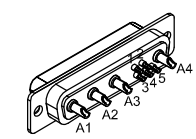


REVISIONS			
REV.	DESCRIPTION	DATE	DRAWN
A	Added ECN 13521	8/9/2011	JFM
B	Added ECO 89	8/24/2017	JFM
C	ADDED ECO 2415	10/26/2018	JFM

FLYING LEAD	WIRE	SIGNAL
	BLK	MTR Ø A
	RED	MTR Ø B
	WHT	MTR Ø C
	GRN/YEL	FRM GND
	SHIELD	SHIELD

ECX01217, (4 COND. #20)

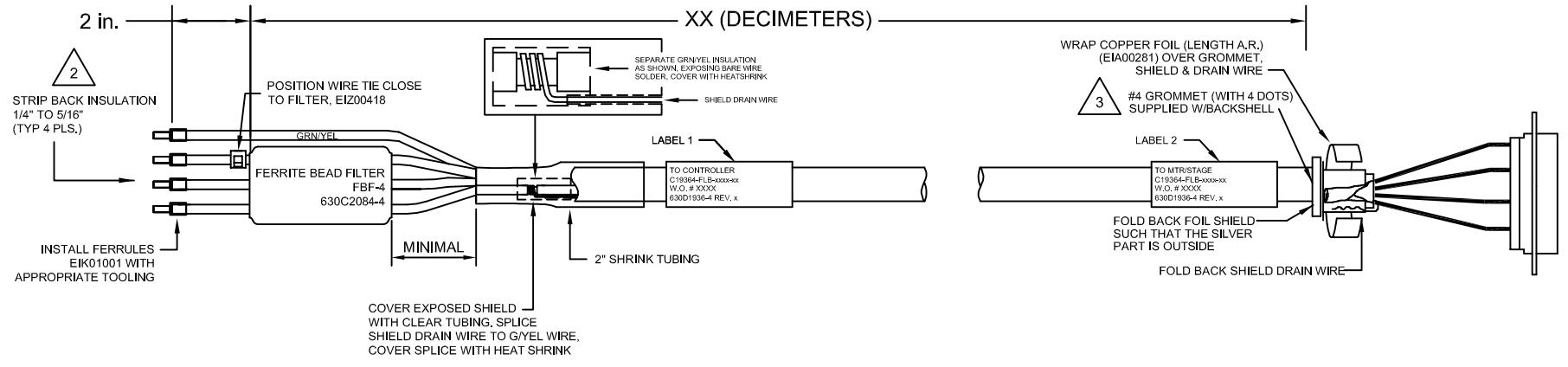
SIGNAL	WIRE	SOCKET
MTR ØA	BLK	A1
MTR ØB	RED	A2
MTR ØC	WHT	A3
FRAME	GRN/YEL	A4
SHIELD	SHIELD	CASE



HPD FEMALE "D", ECK00657
SOCKET CONTACT, ECK00659
BACKSHELL: SEE TERMINATION CHART

TERMINATION CHART

<p>4D STRAIGHT BACKSHELL, ECK00656</p>	<p>4DT STRAIGHT BACKSHELL, ECK00656 TWO THUMBSCREWS, ECK01247</p>
<p>4D45L 45 DEGREE BACKSHELL, ECK01070 LEFT HANDED VIEW LOOKING INTO CONTACT SIDE OF CABLE CONNECTOR</p>	<p>4D45R 45 DEGREE BACKSHELL, ECK01070 RIGHT HANDED VIEW LOOKING INTO CONTACT SIDE OF CABLE CONNECTOR</p>
<p>4D90L 90 DEGREE BACKSHELL, ECK01370 LEFT HANDED VIEW LOOKING INTO CONTACT SIDE OF CABLE CONNECTOR</p>	<p>4D90R 90 DEGREE BACKSHELL, ECK01370 RIGHT HANDED VIEW LOOKING INTO CONTACT SIDE OF CABLE CONNECTOR</p>



3 USE #4 GROMMET WITH 4 DOTS AS SHOWN BELOW WHICH IS SUPPLIED W/BACKSHELL



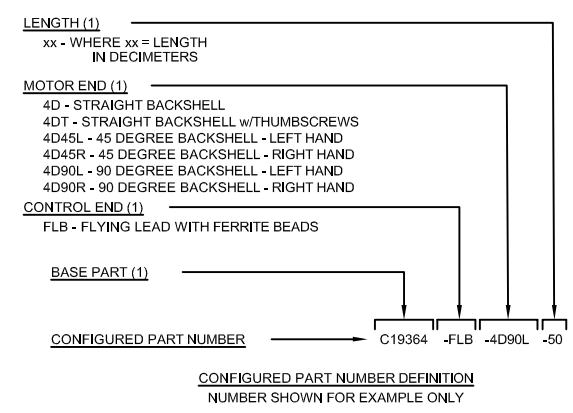
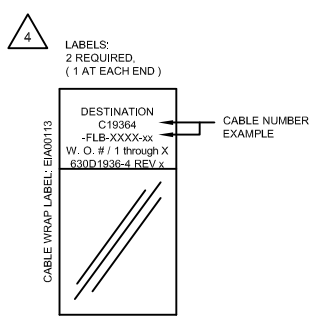
2 STRIP INSULATION BACK 1/4" TO 5/16" ADD FERRULES P/N: EIK01001

1 XX (DECIMETER) X .328 = FT. STARTING LENGTH = XX FT + 1.25 FT.

CONFIGURED CABLE PROCEDURE:

THE PURPOSE OF THIS DRAWING IS TO DEFINE VARIOUS BACKSHELL AND SCREWLOCK TYPES AS REQUIRED BY THE SHOP TRAVELLER.

- LOCATE THE SHOP TRAVELLER FOR CABLE TO BE MANUFACTURED.
- USING SHOP TRAVELLER AND TERMINATION CHART AT RIGHT:
 - DETERMINE CABLE "LENGTH" TERMINATION.
 - DETERMINE "MOTOR END" TERMINATION.
- USING THE ABOVE INFORMATION, MANUFACTURE CABLE WITH APPROPRIATE TERMINATIONS.
- LABEL CABLE WITH NEW CONFIGURED PART NUMBER PER NOTE 4, FOLLOWING THE "CONFIGURED PART NUMBER DEFINITION" SHOWN AT FAR RIGHT.



PROPRIETARY INFORMATION THIS DRAWING IS THE PROPERTY OF AEROTECH, INC. AND IS SUBMITTED IN CONFIDENCE AND SHALL NOT BE REPRODUCED NOR COPIED NOR DISCLOSED TO OTHERS UNDER PENALTY OF LAW.		AEROTECH, INC. 101 Zeta Drive Pittsburgh, PA, 15238 (412) 963-7470 www.aerotech.com	
CONFIGURED LOW POWER BRUSHLESS MOTOR CABLE CABLE: BL MTR-FLB-4D-5ARMS-MAX450DM			
TOLERANCES ON FRACTIONS DECIMALS ANGLES 0 TO 6 ±1/32 .XX ±01 ° 0-30' OVER 6 ± 1/16 .XXX ±.005		RMS FINISH EXCEPT AS NOTED	
DRAWN SMN 6/06 CHECKED DES 6/06 APPD. EB 6/06	PART CODE C19364 SIZE D SCALE NTS	FILE NAME 630D1936-4.DWG SHEET 1 OF 1	REV. C