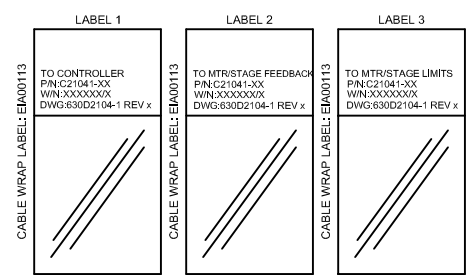
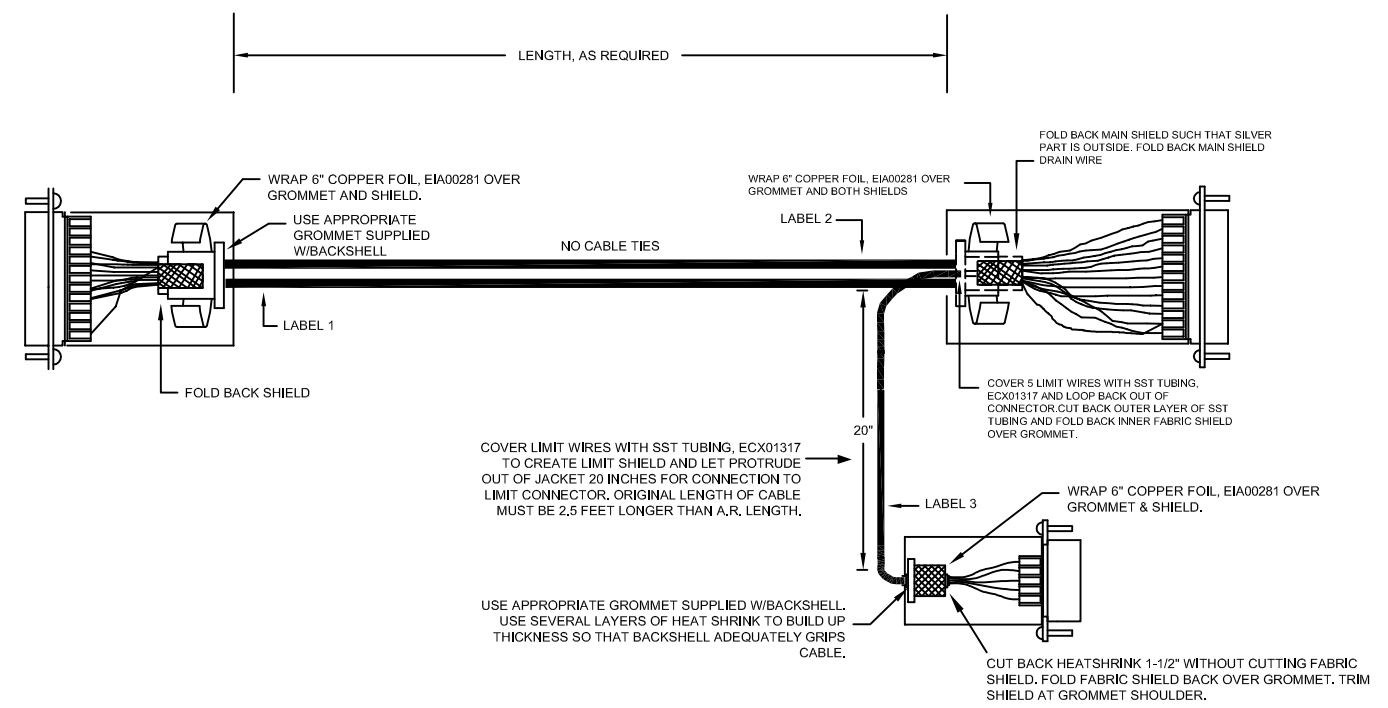
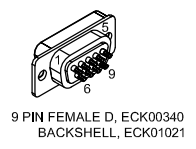
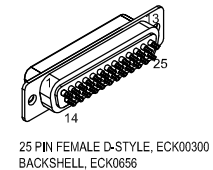
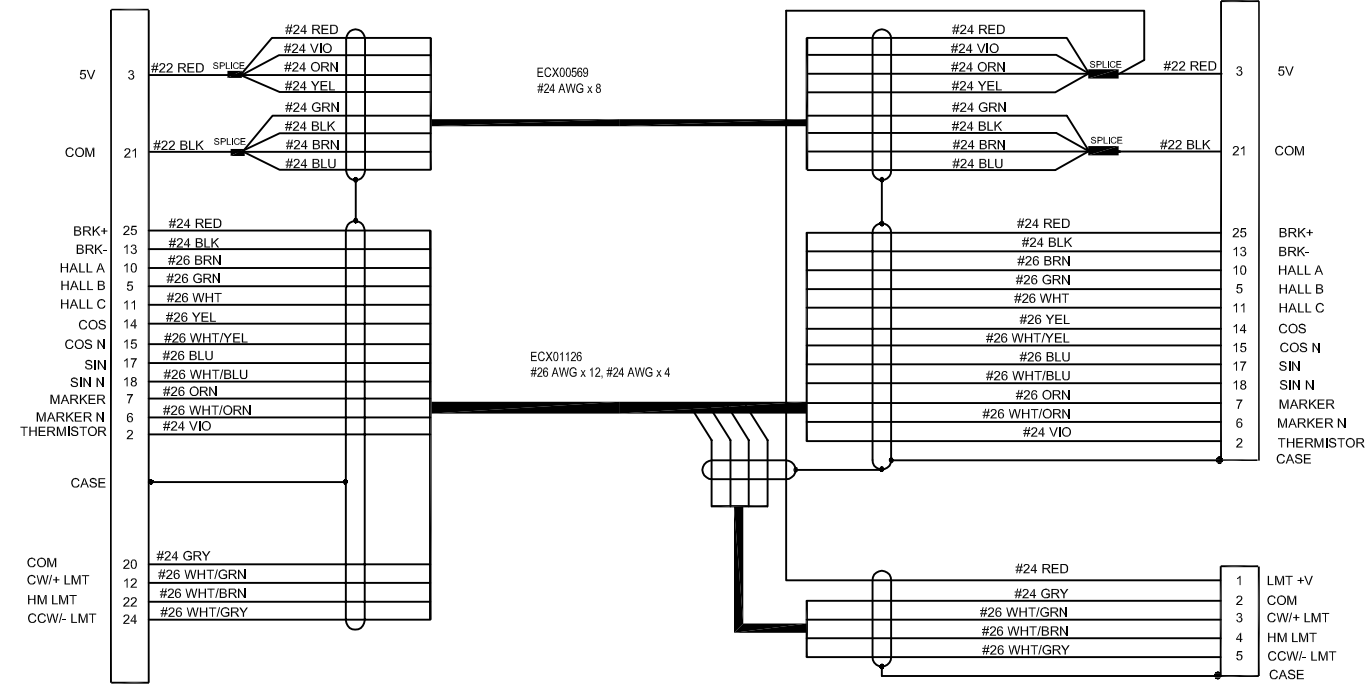
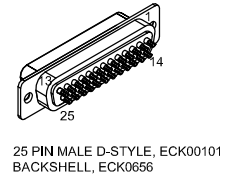


REVISIONS				
REV.	DESCRIPTION	DATE	DRAWN	
B	PER ECN9929, MODIFIED DESIGN OF CABLE TO INCREASE MAX LENGTH.	2/07	AGS	
C	ADDED ECN 10808	01/08	JFM	
D	ADDED ECO 69	8/17/17	JFM	



PROPRIETARY INFORMATION THIS DRAWING IS THE PROPERTY OF AEROTECH, INC. AND IS SUBMITTED IN CONFIDENCE AND SHALL NOT BE REPRODUCED NOR COPIED NOR DISCLOSED TO OTHERS UNDER PENALTY OF LAW.		AEROTECH, INC. 101 Zeta Drive Pittsburgh, PA, 15238 (412)963-7470 www.aerotech.com	
BRUSHLESS FEEDBACK CABLE CABLE: BL FB-25D-25D 9D-HF65-MAX146DM			
TOLERANCES ON FRACTIONS DECIMALS ANGLES 0 TO 6 $\frac{1}{32}$.XX ±0.1 ° 0-30° OVER 6 ±1/16 .XXX ±0.05		RMS FINISH EXCEPT AS NOTED	
DRAWN	AGS	2/21/07	
CHECKED	JAB	2/21/07	
APPD.	JAB	2/21/07	
PART CODE	SIZE	REV.	
C21041	D	630D2104-1	D
SCALE	NTS	FILE NAME	630D2104-1.DWG
SHEET	1 of 1		