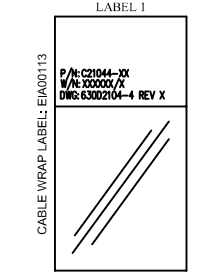
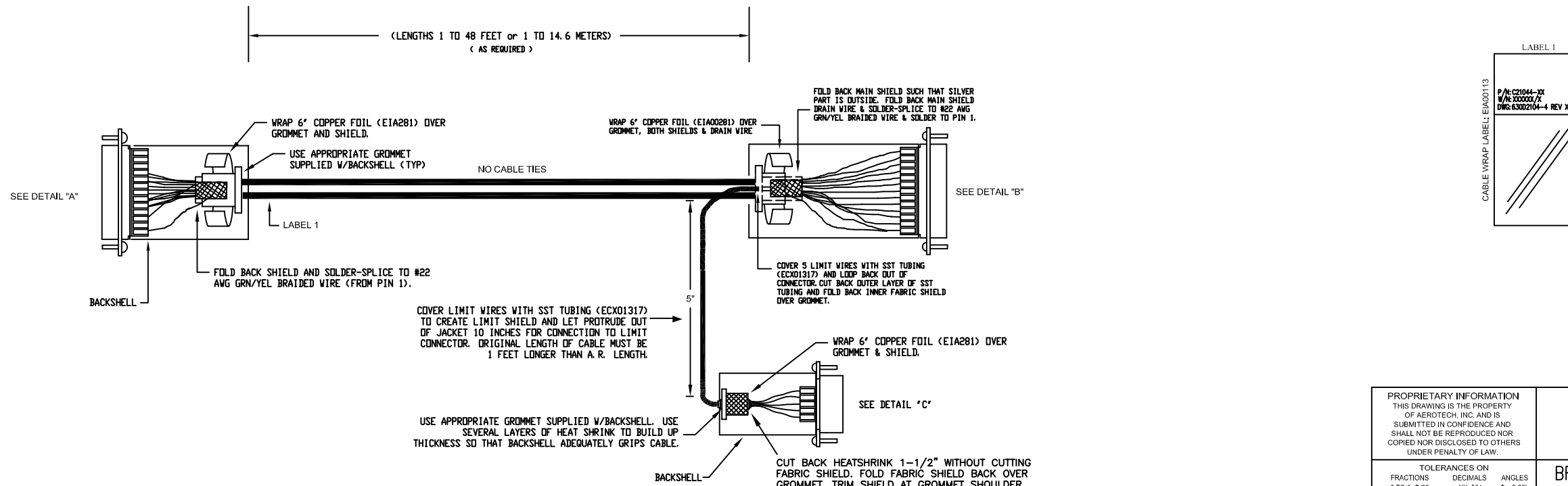
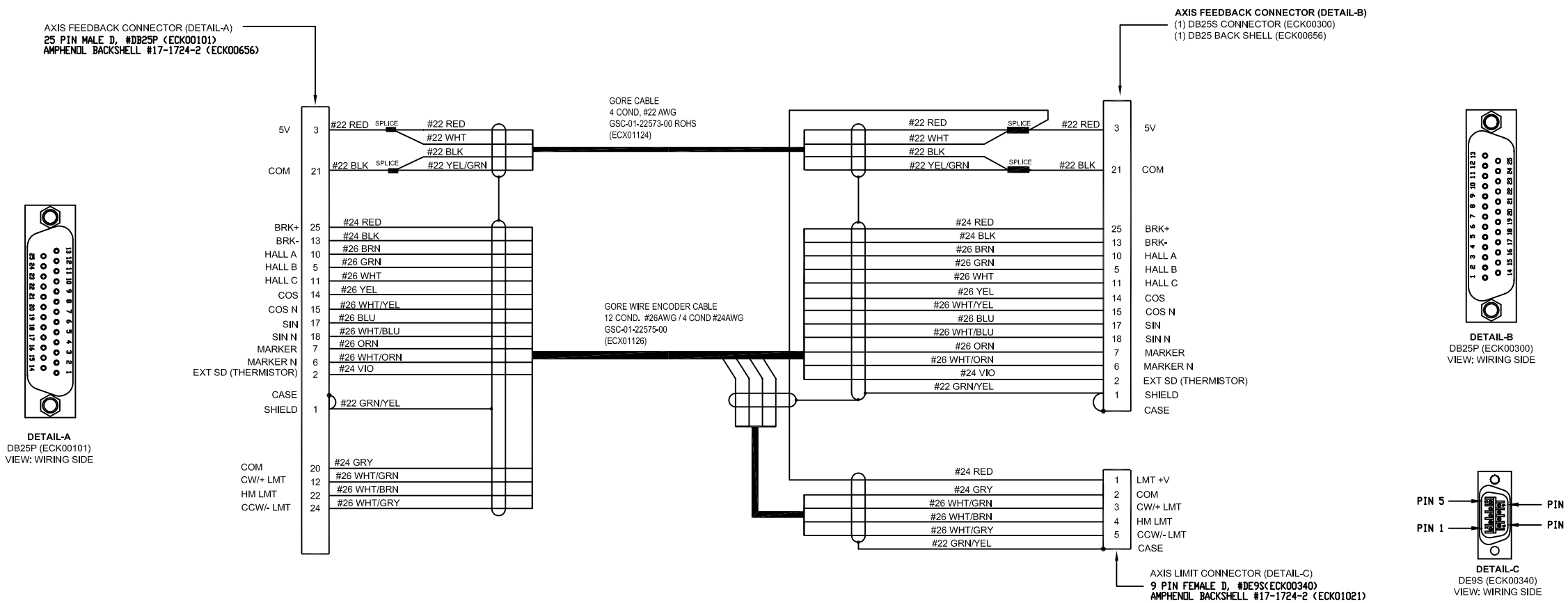


REVISIONS				
REV.	ZONE	DESCRIPTION	DATE	DRAWN
-		XXXXXX	XX/XX	XXX



PROPRIETARY INFORMATION THIS DRAWING IS THE PROPERTY OF AEROTECH, INC. AND IS SUBMITTED IN CONFIDENCE AND SHALL NOT BE REPRODUCED NOR COPIED NOR DISCLOSED TO OTHERS UNDER PENALTY OF LAW.		AEROTECH, INC. 101 Zeta Drive Pittsburgh, PA, 15238 (412)963-7470 www.aerotech.com	
BRUSHLESS FEEDBACK CABLE, HI FLEX 146 DECIMETERS (48') MAX LENGTH CABLE: BL FB-25DU-25DU 9DU-HF-GORE-MAX146DM			
TOLERANCES ON FRACTIONS DECIMALS ANGLES 0 TO 6 1/32 .XX ±0.1 ± 0-30' OVER 6 1/16 .XXX ±0.05		RMS FINISH EXCEPT AS NOTED	
DRAWN	YES	4/16/14	PART CODE
CHECKED	AGS	4/16/14	SIZE
APPD.	YES	4/16/14	SCALE NTS
FILE NAME 630D2104-401.DWG		SHEET 1 of 1	