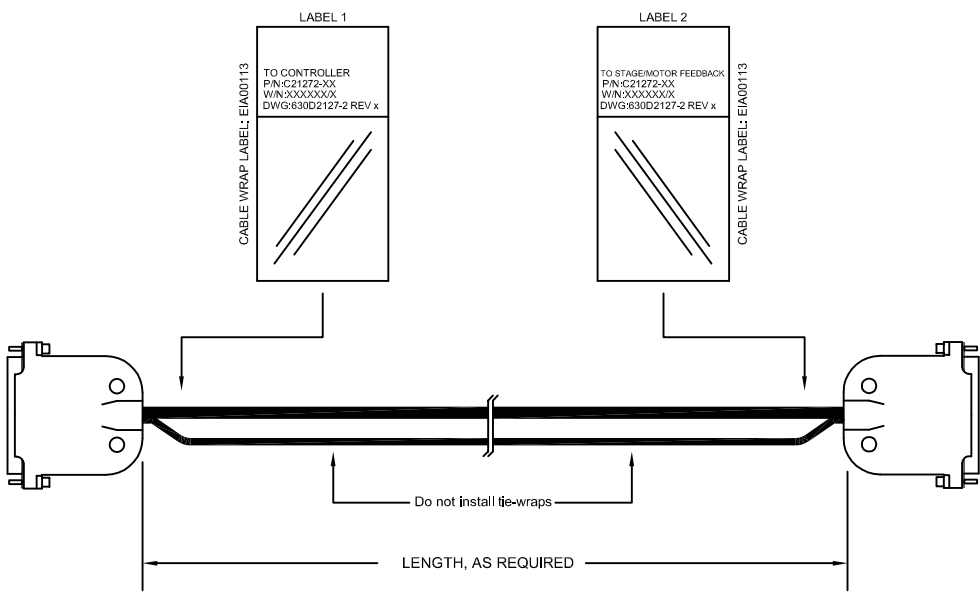
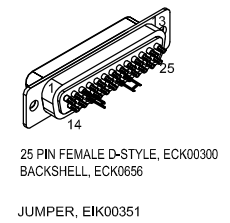
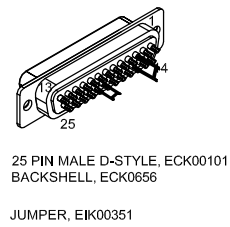
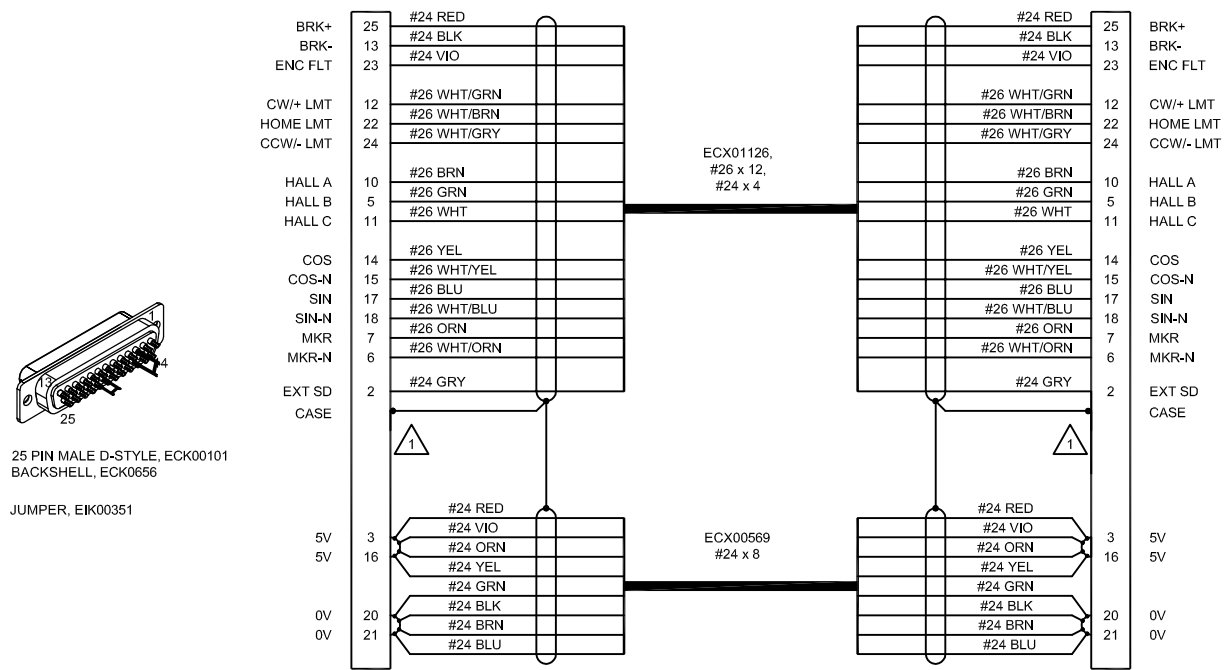
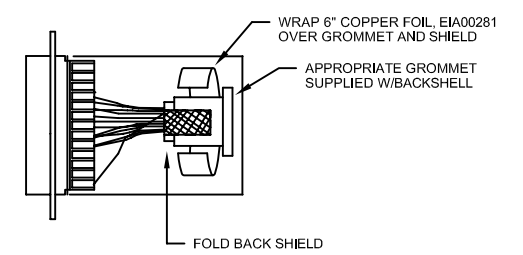


REVISIONS			
REV.	DESCRIPTION	DATE	DRAWN
A	PER ECN 9945, CHANGED +5V/COM CABLE TO ECX00569 TO INCREASE MAX CABLE LENGTH	3/2/07	AGS
B	ECN 10237	6/11/07	JAB
C	ADDED ECO 69	7/18/2017	JFM
D	ADDED ECO 330	0/16/2017	JFM



**1** SHIELD TERMINATION



PROPRIETARY INFORMATION THIS DRAWING IS THE PROPERTY OF AEROTECH, INC. AND IS SUBMITTED IN CONFIDENCE AND SHALL NOT BE REPRODUCED NOR COPIED NOR DISCLOSED TO OTHERS UNDER PENALTY OF LAW.		AEROTECH, INC. 101 Zeta Drive Pittsburgh, PA, 15238 (412)963-7470 www.aerotech.com	
TOLERANCES ON FRACTIONS DECIMALS ANGLES 0 TO 6 ±1/32 .XX ±0.1 ° 0-30' OVER 6 ± 1/16 .XXX ±0.005		<b>C21272-xx</b> CABLE: BL FB-25D-25D-HF65-MAX146DM	
RMS FINISH		EXCEPT AS NOTED	
DRAWN	AGS	3/02/07	PART CODE
CHECKED	JAB	3/02/07	<b>C21272</b>
APPD.	JAB	3/02/07	SIZE
			<b>D</b>
			<b>630D2127-2</b>
			REV.
			<b>D</b>
SCALE	NTS	FILE NAME	630D2127-2.dwg
SHEET	1 of 1		