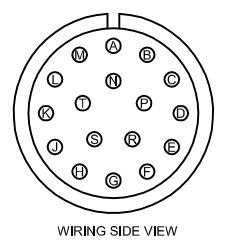
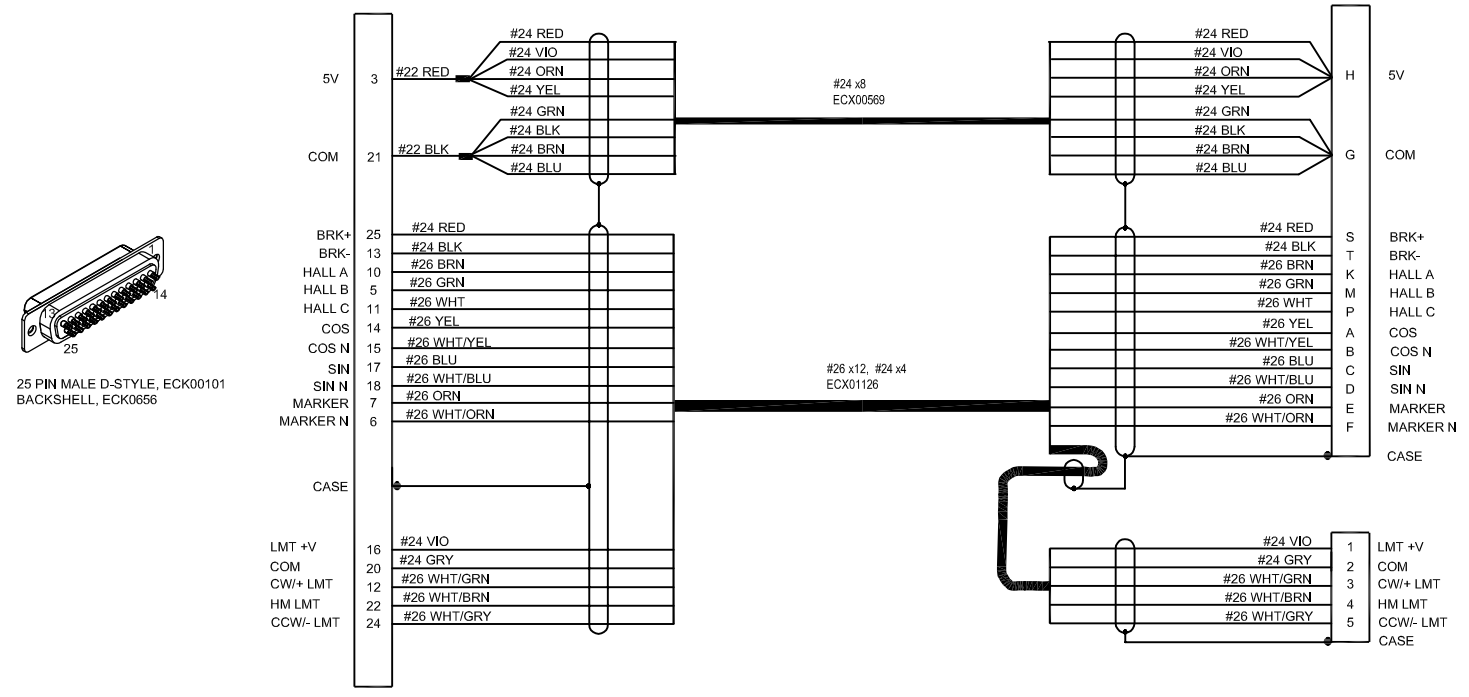
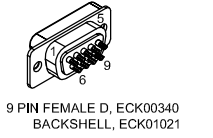


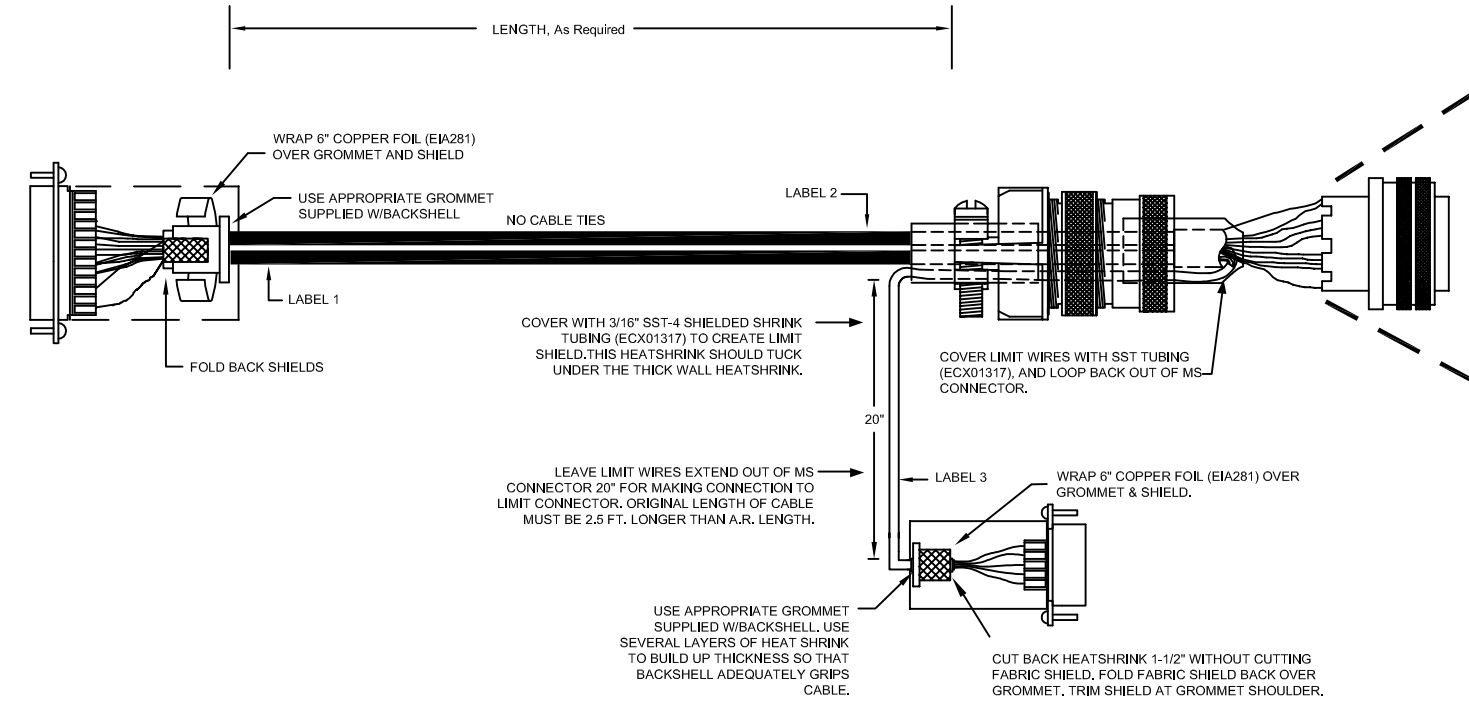
REVISIONS			
REV	DESCRIPTION	DATE	DRAWN
A	ADDED ECN 10809	JFM	1/29/2008
B	ADDED ECN 18486	JFM	1/29/2008



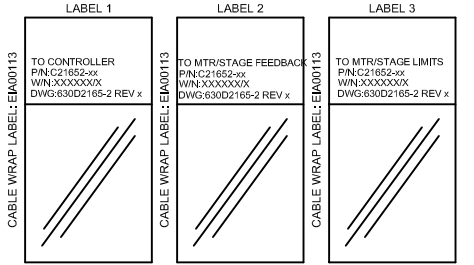
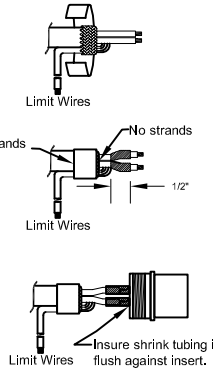
STRAIGHT PLUG, MCM00454  
 INSERT, MCM0464  
 CLAMP, MCM00457  
 BUSHING, MCM00493



9 PIN FEMALE D, ECK00340  
 BACKSHELL, ECK01021



1. Cut back cable jackets. Install SST tubing over limit wires. Install at least one layer of 2" length of adhesive shrink tubing EW01011, to build up Dia. for proper strain relief. (Strain relief must withstand 35 LB. pull force)
2. Fold shields and inner fabric shield of SST tubing back over shrink tubing and trim.
3. Strip wire insulation.
4. Wrap 12" of Copper tape (EIA00281) tightly over shields. No shield strands should extend beyond the Copper tape. Slide all connector components over cable above the shield (except for the insert).
5. Pre-solder exposed wires. Slide shrink tubing over wires.
6. Solder wires to connector. Slide tubing over connector solder cups and shrink. Final assemble connector. Cable clamp should be centered over Copper tape. No Copper tape should be visible after cable clamp is tightened.



PROPRIETARY INFORMATION THIS DRAWING IS THE PROPERTY OF AEROTECH, INC. AND IS SUBMITTED IN CONFIDENCE AND SHALL NOT BE REPRODUCED NOR COPIED NOR DISCLOSED TO OTHERS UNDER PENALTY OF LAW.		AEROTECH, INC. 101 Zeta Drive Pittsburgh, PA, 15238-2897 (412) 963-7470 www.aerotech.com	
<b>BRUSHLESS FEEDBACK CABLE, HI FLEX</b> <b>146 DECIMETERS (48') MAX LENGTH</b> <b>BL FB-25D-17MS 9D-HF65-MAX146DM</b>			
TOLERANCES ON FRACTIONS DECIMALS ANGLES 0 TO 6 ±1/32 .XX ±0.1 ° 0-30' OVER 6 ±1/16 .XXX ±0.05		EXCEPT AS NOTED	
DRAWN AGS 10/05/06	CHECKED JAB 10/05/06	PART CODE <b>C21652</b>	SIZE <b>D</b>
APPD. JAB 10/05/06	SCALE NTS	FILE NAME 630D2165-2.DWG	SHEET 1 of 1