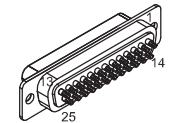
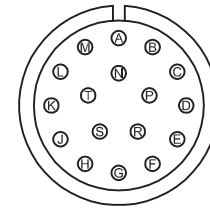
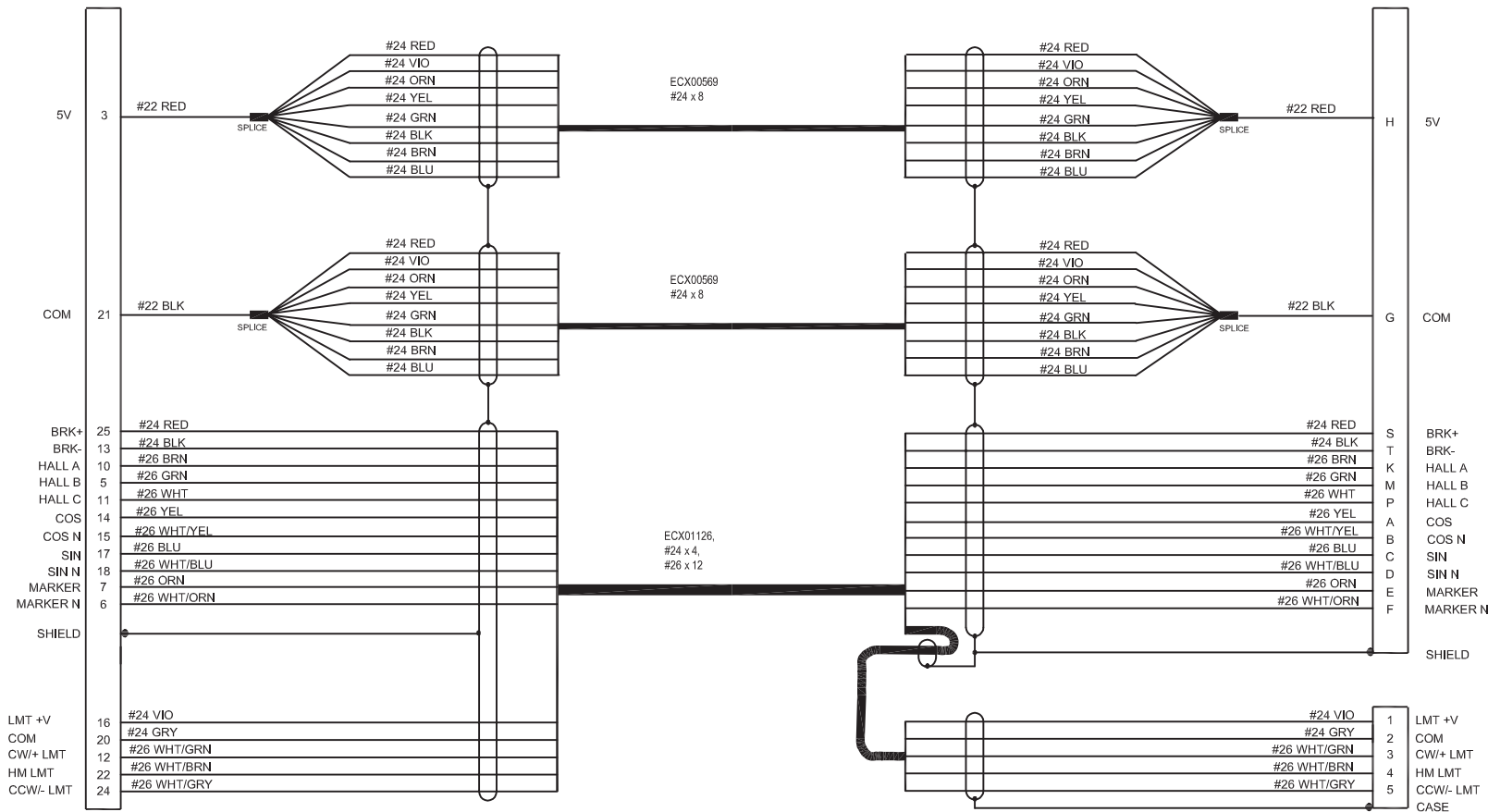


REVISIONS		DATE	DRAWN
REV	DESCRIPTION		
A	ADDED ECO	7/10/2017	JFM

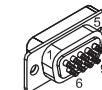


25 PIN MALE D, ECK00101  
BACKSHELL, ECK00656

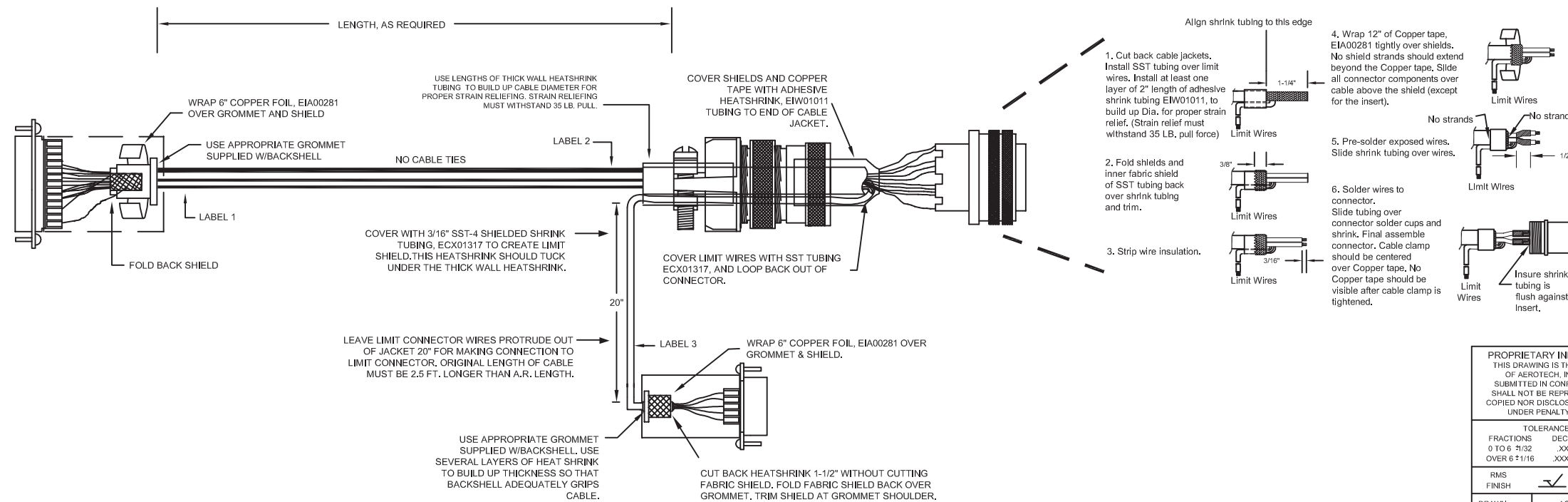
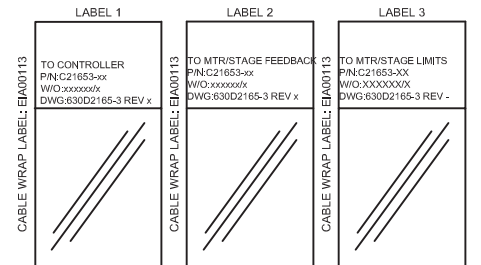


WIRE SIDE VIEW

STRAIGHT PLUG MS3106A-20, MCM0454  
INSERT MS20-29S, MCM00464  
CLAMP 97-3057-1012, MCM00457  
BUSHING AN3055-22-12, MCM00493



9 PIN FEMALE D, ECK00340  
BACKSHELL, ECK01021



PROPRIETARY INFORMATION THIS DRAWING IS THE PROPERTY OF AEROTECH, INC. AND IS SUBMITTED IN CONFIDENCE AND SHALL NOT BE REPRODUCED NOR COPIED NOR DISCLOSED TO OTHERS UNDER PENALTY OF LAW.		AEROTECH, INC. 101 Zeta Drive Pittsburgh, PA. 15238 (412)963-7470 www.aerotech.com	
<b>BRUSHLESS FEEDBACK CABLE</b> <b>HI FLEX LIFE</b> CABLE: BL FB-25D-17MS 9D-HF65-MAX293DM			
TOLERANCES ON FRACTIONS DECIMALS ANGLES 0 TO 6 1/32 .XX ±0.1 ° 0-30° OVER 6 ±1/16 .XXX ±0.05		RMS FINISH EXCEPT AS NOTED	
DRAWN	AGS	7-12-08	
CHECKED	JAB	7-12-08	
APPD.	JAB	7-12-08	
PART CODE	SIZE	SCALE	NTS
C21653	D	FILE NAME	630D2165-3.Dwg
REV.	A	SHEET	1 of 1