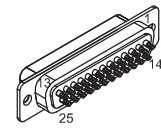
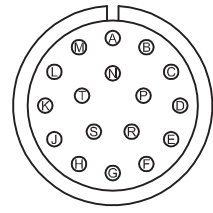
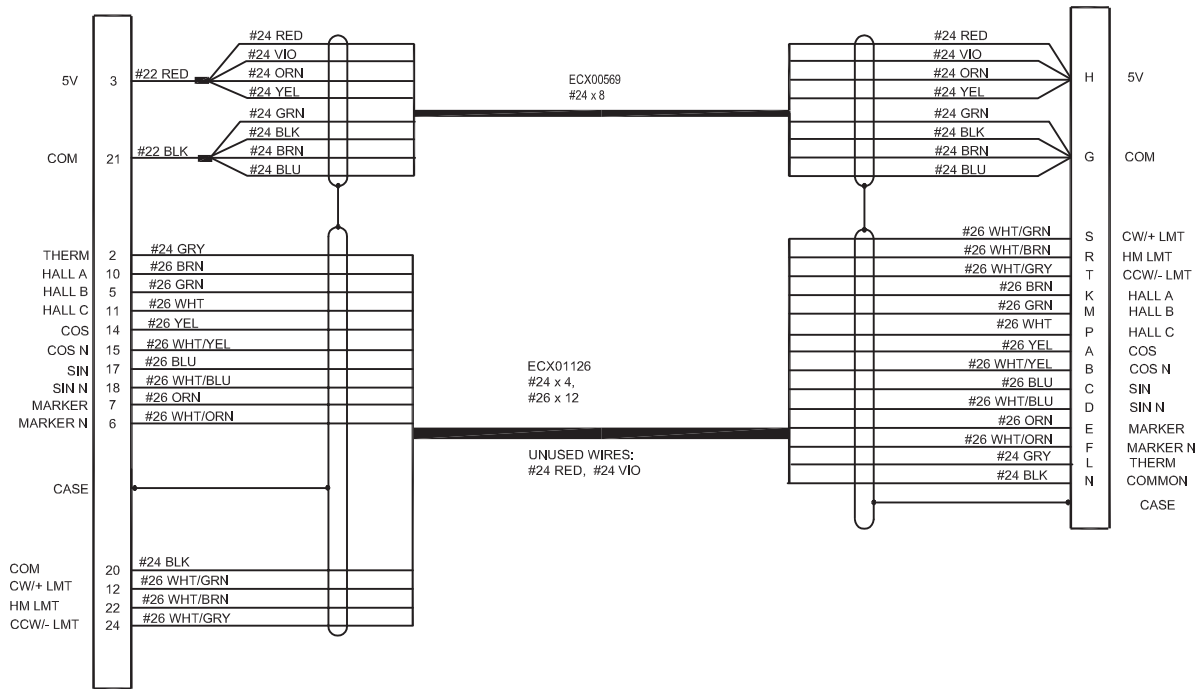


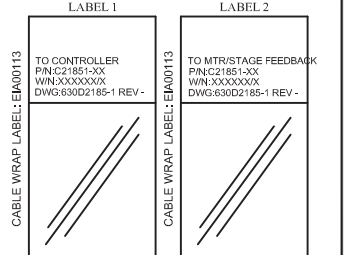
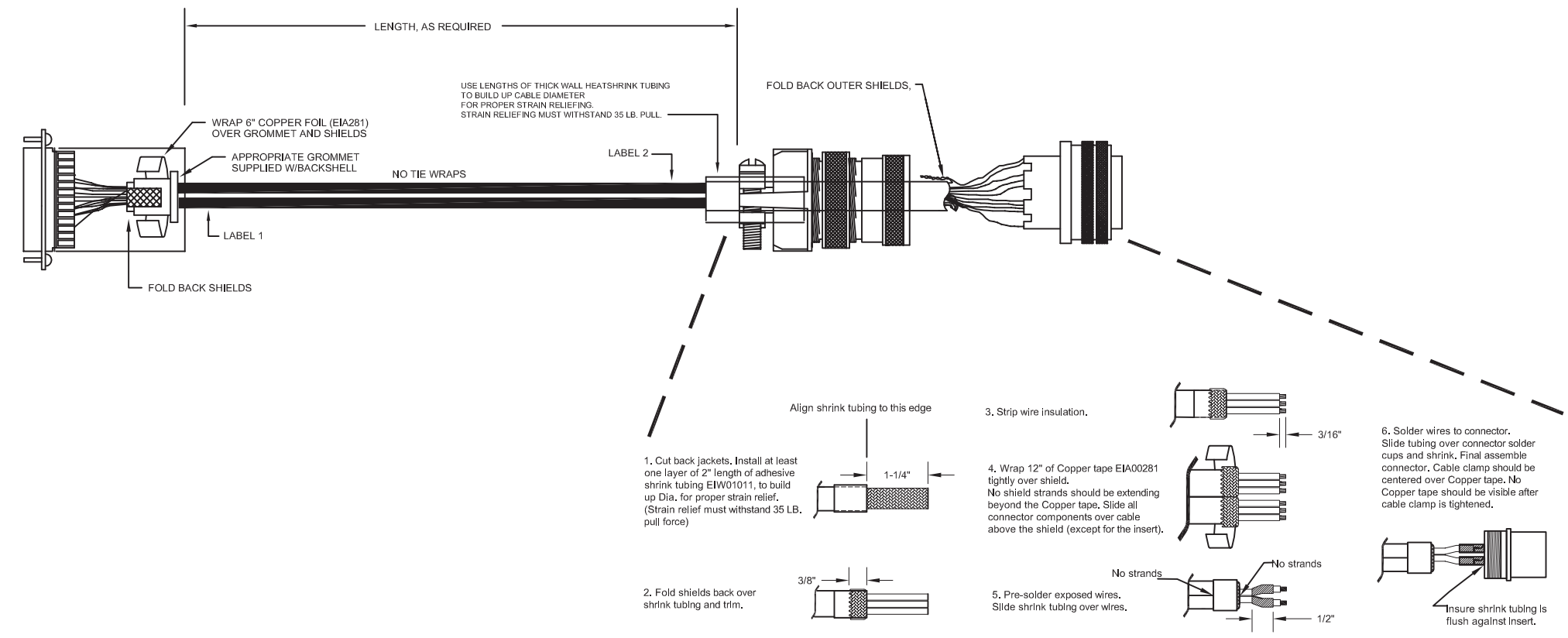
REVISIONS			
REV	DESCRIPTION	DATE	DRAWN
A	ADDED ECO	7/10/2017	JFM



25 PIN MALE D-STYLE, ECK00101  
BACKSHELL, ECK0656



WIRE SIDE VIEW  
STRAIGHT PLUG MS3106A-20, MCM00454  
INSERT MS20-29S, MCM00464  
CLAMP 97-3057-1012, MCM00457  
BUSHING AN3055-22-12, MCM00483



PROPRIETARY INFORMATION THIS DRAWING IS THE PROPERTY OF AEROTECH, INC. AND IS SUBMITTED IN CONFIDENCE AND SHALL NOT BE REPRODUCED NOR COPIED NOR DISCLOSED TO OTHERS UNDER PENALTY OF LAW.		AEROTECH, INC. 101 Zeta Drive Pittsburgh, PA. 15238 (412)963-7470 www.aerotech.com	
<b>BRUSHLESS FEEDBACK CABLE</b> CABLE: BL FB-25D-17MS-HF65-MAX146DM			
TOLERANCES ON FRACTIONS DECIMALS ANGLES 0 TO 6 ±1/32 .XX ±0.1 ° 0-30' OVER 6 ±1/16 .XXX ±0.05		RMS FINISH EXCEPT AS NOTED	
DRAWN	AGS	5/01/07	
CHECKED	JAB	5/01/07	
APPD.	JAB	5/01/07	
PART CODE	SIZE	FILE NAME	REV.
C21851	D	630D2185-1.Dwg	A
SCALE	NTS	SHEET	1 of 1