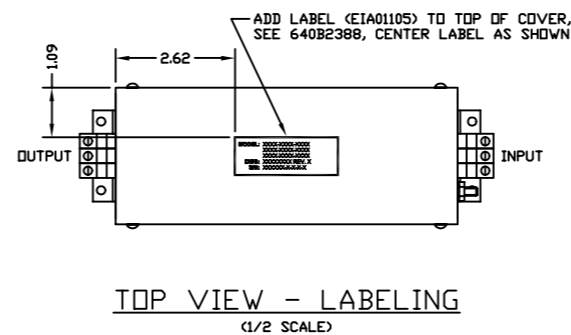
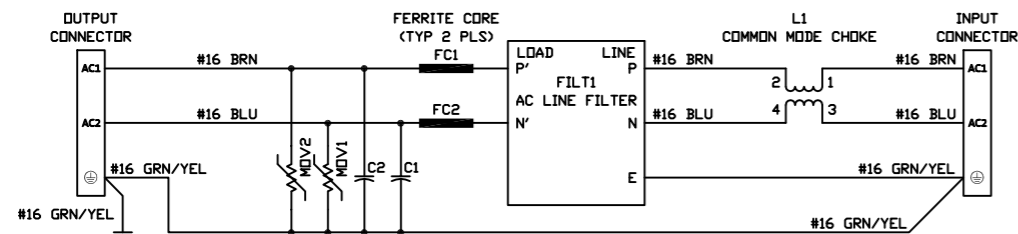
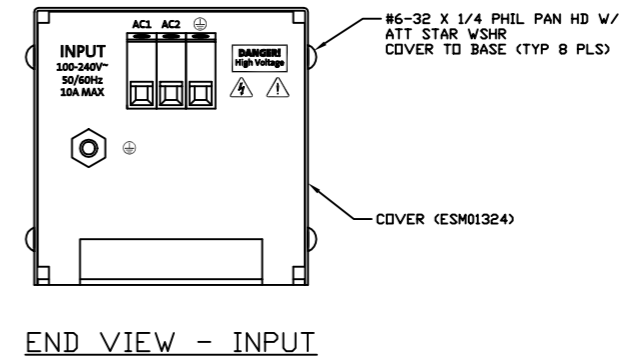
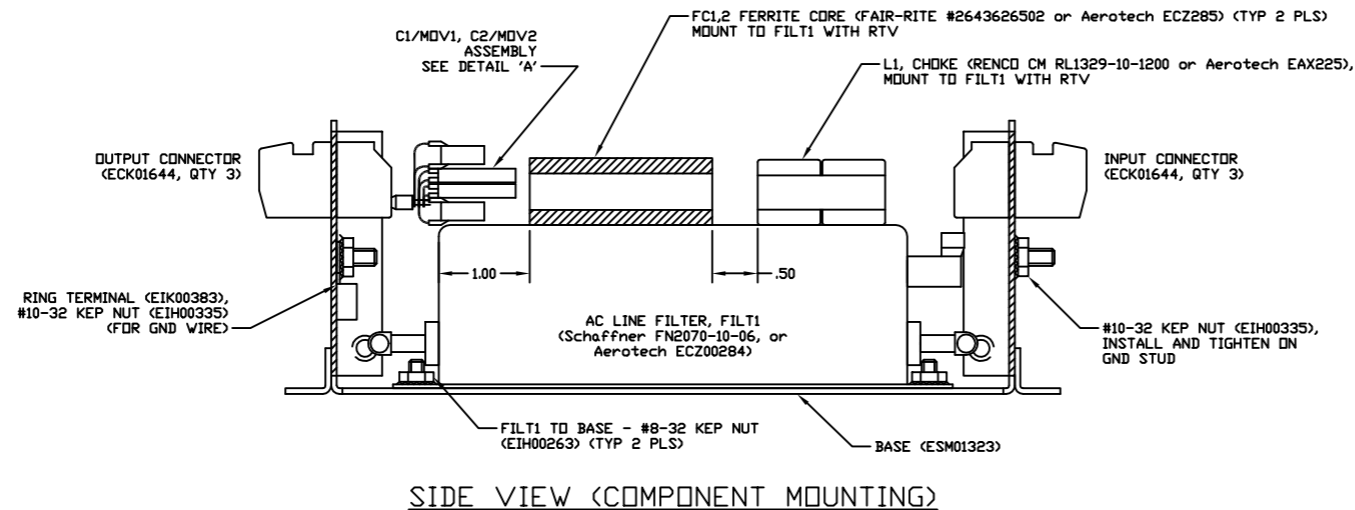
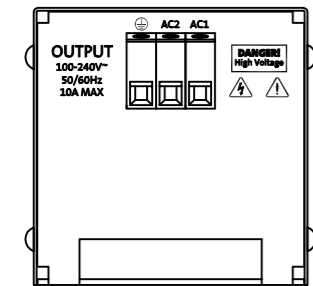
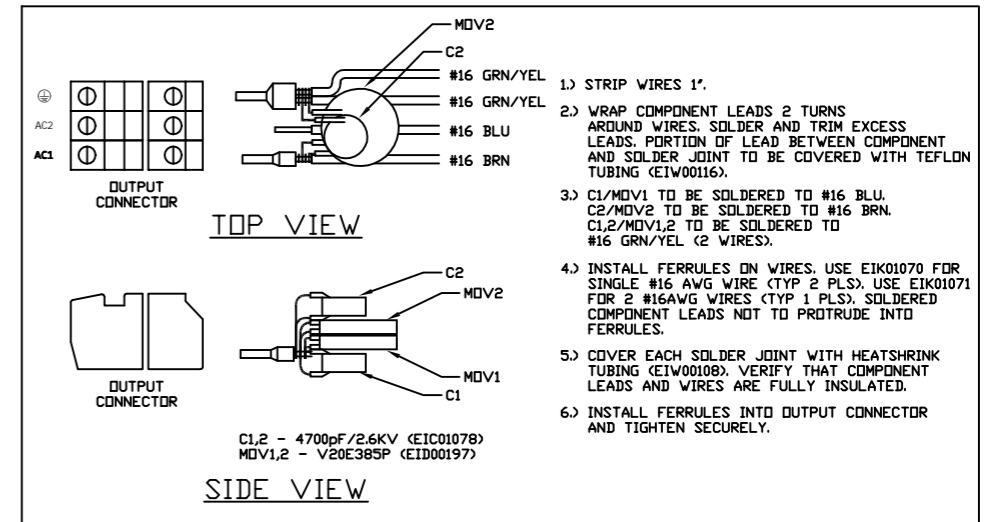
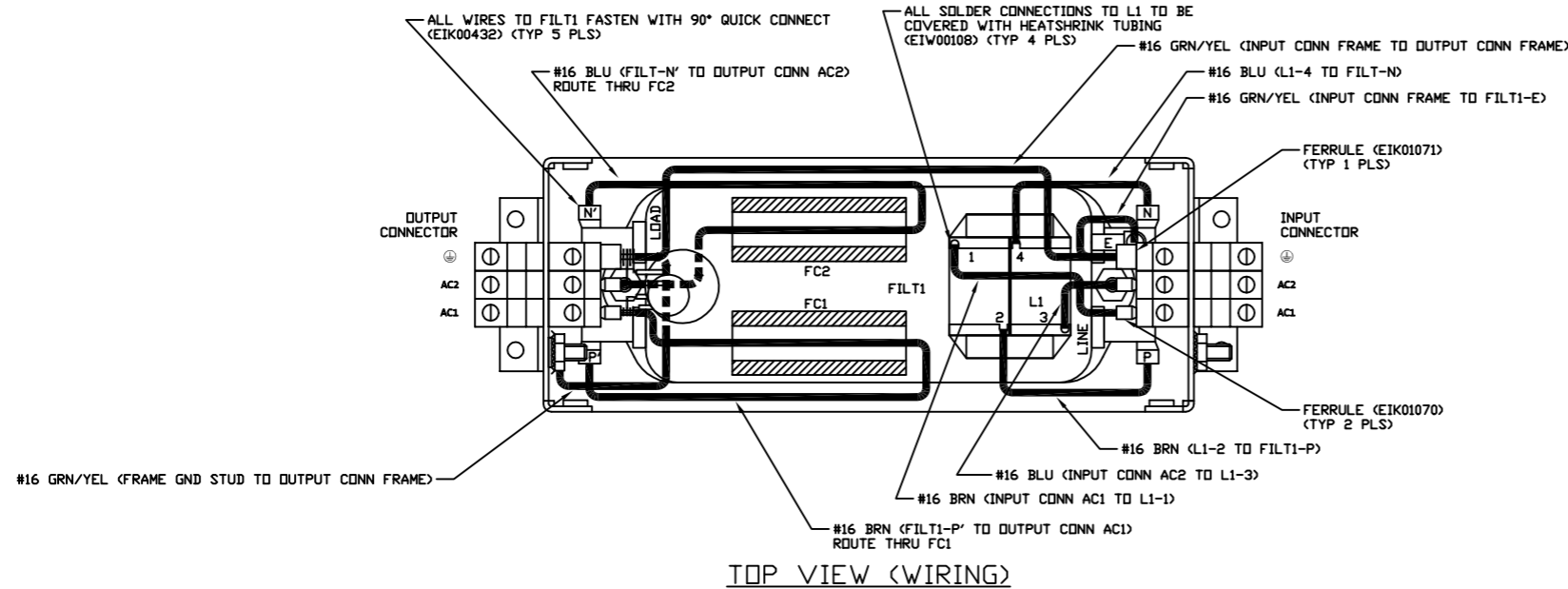


REVISIONS				
REV.	ZONE	DESCRIPTION	DATE	DRAWN



- NOTES:
- 1) SHT 1 - SCHEMATIC & ASSEMBLY  
SHT 2 - CATALOG OUTLINE DRAWING
  - 2) INSTALL ALL CONNECTIONS TO FILT1 BEFORE MOUNTING FILT1 ON BASE.

PROPRIETARY INFORMATION THIS DRAWING IS THE PROPERTY OF AEROTECH, INC. AND IS SUBMITTED IN CONFIDENCE AND SHALL NOT BE REPRODUCED NOR COPIED NOR DISCLOSED TO OTHERS UNDER PENALTY OF LAW.			AEROTECH, INC. 101 Zeta Drive Pittsburgh, PA. 15238 (412)963-7470 www.aerotech.com		
<b>FILTER MODULE SCHEMATIC AND ASSEMBLY</b>					
TOLERANCES ON FRACTIONS DECIMALS ANGLES 0 TO 6 ± 1/32 .XX ± .01 ± 0-30° OVER 6 ± 1/16 .XXX ± .005			RFS FINISH ✓ EXCEPT AS NOTED		
DRAWN VEG 6/07	CHECKED DES 6/07	APPD. ARW 6/07	PART CODE UFM-ST	SIZE D	REV. -
SCALE 1"=1"			FILE NAME 630D219201.DWG	SHEET 1 OF 2	<b>630D2192</b>