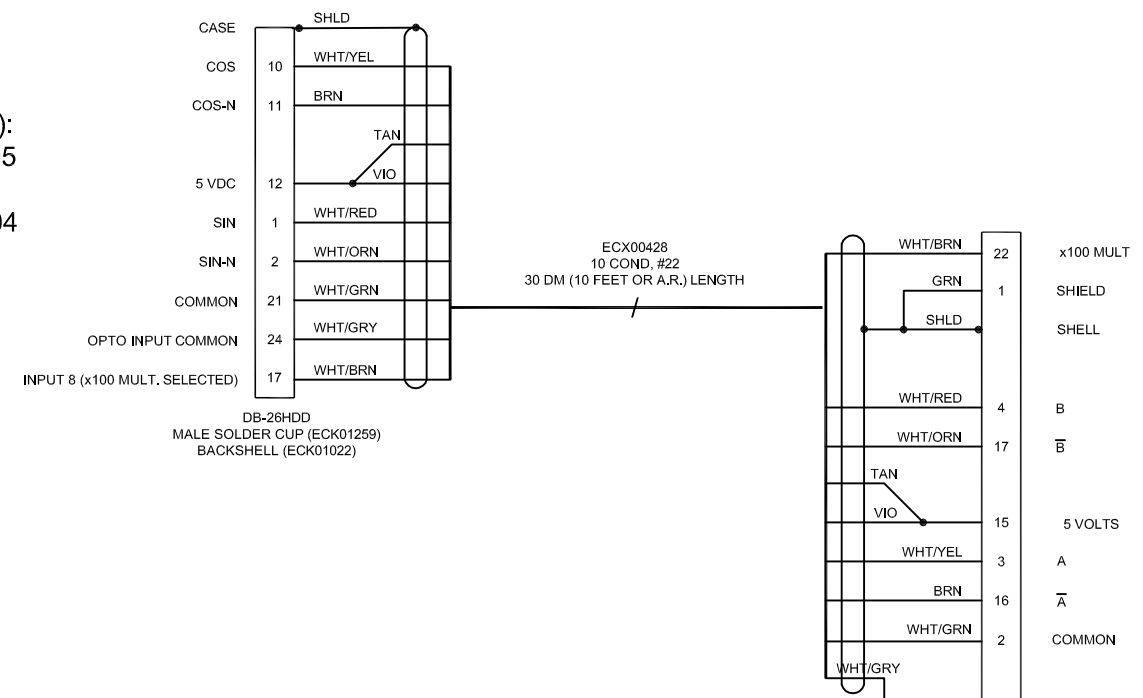
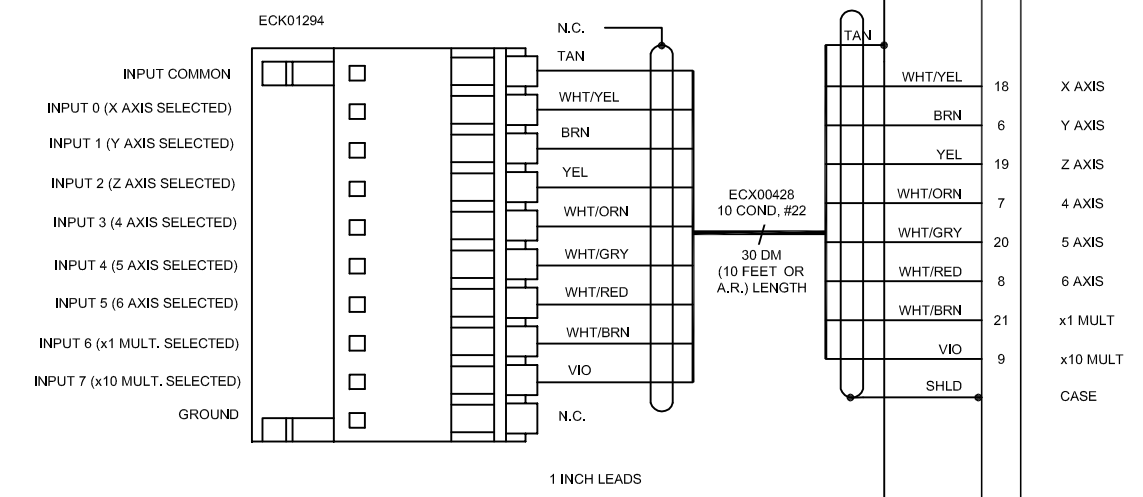


REVISIONS			
SYM	DESCRIPTION	DATE	APPROVAL

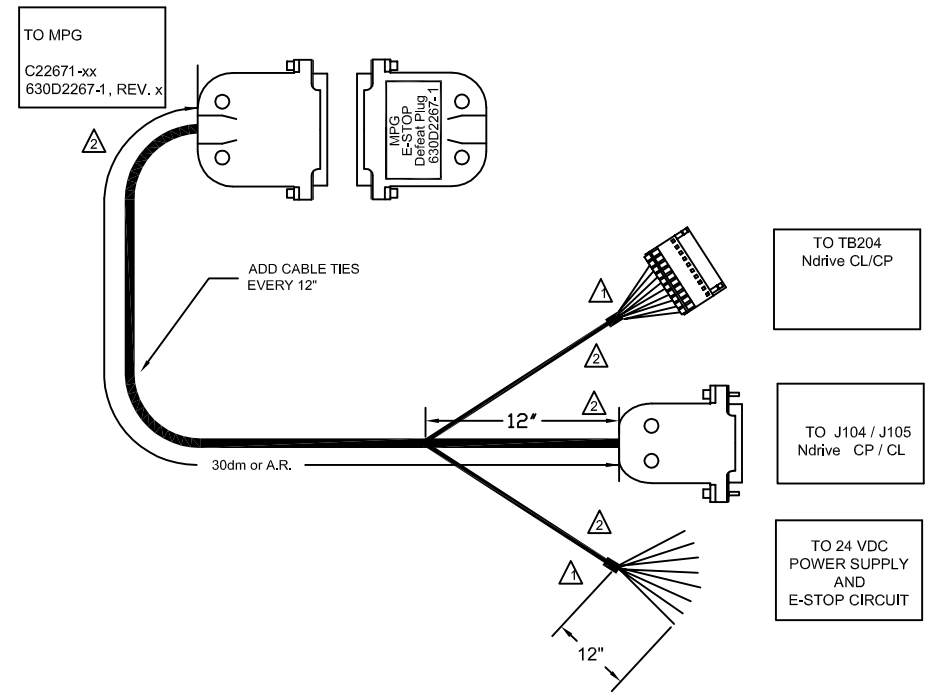
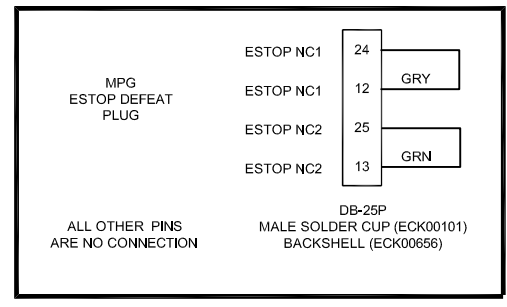
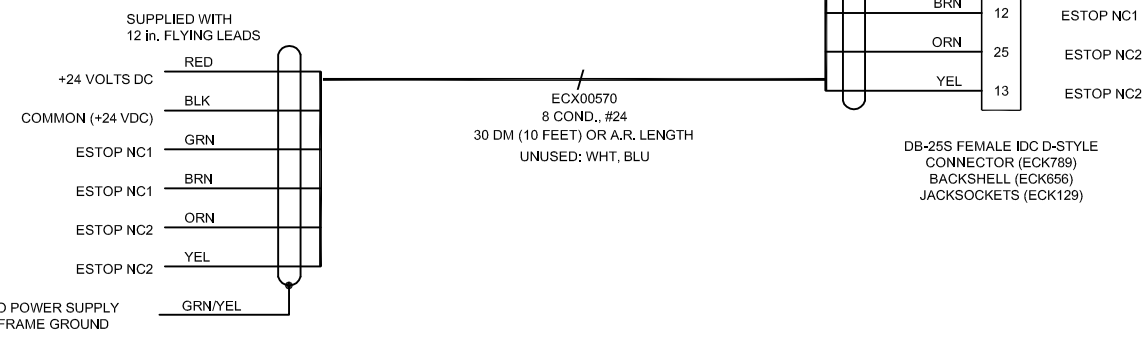
TO (AUX I/O):
Ndrive CL J105
OR
Ndrive CP J104



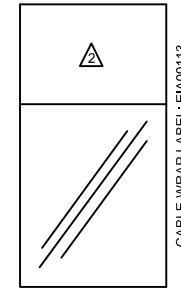
TO Ndrive CL/CP
TB204



TO POWER SUPPLY
(OPT. BRAKE24-2)
AND
E-STOP RELAY



- ⚠ LABEL E-STOP CONNECTOR WITH EIA01579
- ⚠ LABEL EACH CABLE PER DEFINED TEXT WITH EIA00113
- ⚠ ADD HEATSHRINK OVER END OF CABLE BUNDLE



PROPRIETARY INFORMATION THIS DRAWING IS THE PROPERTY OF AEROTECH, INC. AND IS SUBMITTED IN CONFIDENCE AND SHALL NOT BE REPRODUCED NOR COPIED NOR DISCLOSED TO OTHERS UNDER PENALTY OF LAW.		AEROTECH, INC. 101 Zeta Drive Pittsburgh, PA, 15238-2897, USA (412) 963-7470 HTTP://www.Aerotech.com	
TOLERANCES ON FRACTIONS DECIMALS ANGLES 0 TO 6 3/32 .XX ±0.1 ± 0-30' OVER 6 ± 1/16 .XXX ±0.05		Ndrive CL and CP MPG INTERFACE CABLE	
RMS FINISH	EXCEPT AS NOTED	PART CODE	SIZE
DRAWN	9/24/2010 JFM	C22671-xx	D
CHECKED	9/27/2010 AGS	630D2267 -1	
APPD.	9/27/2010 JFM	SCALE	FILE NAME
		NTS	630D2267-1.Dwg
		SHEET	1 of 1