

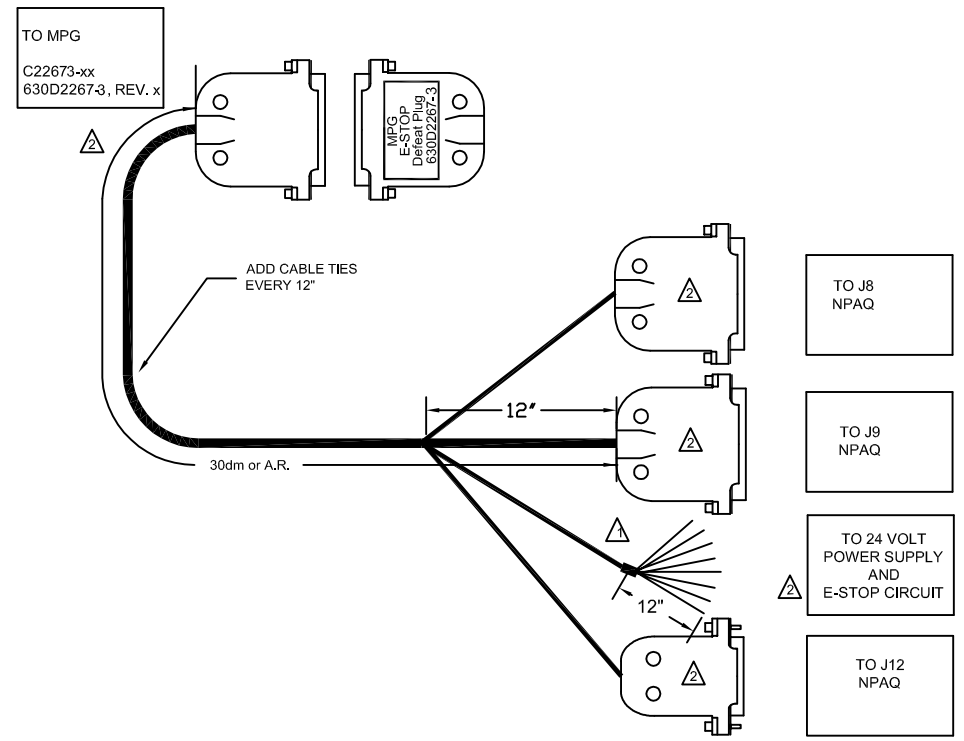
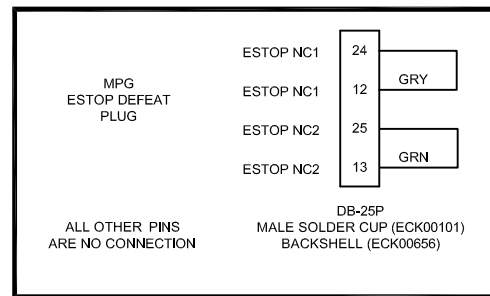
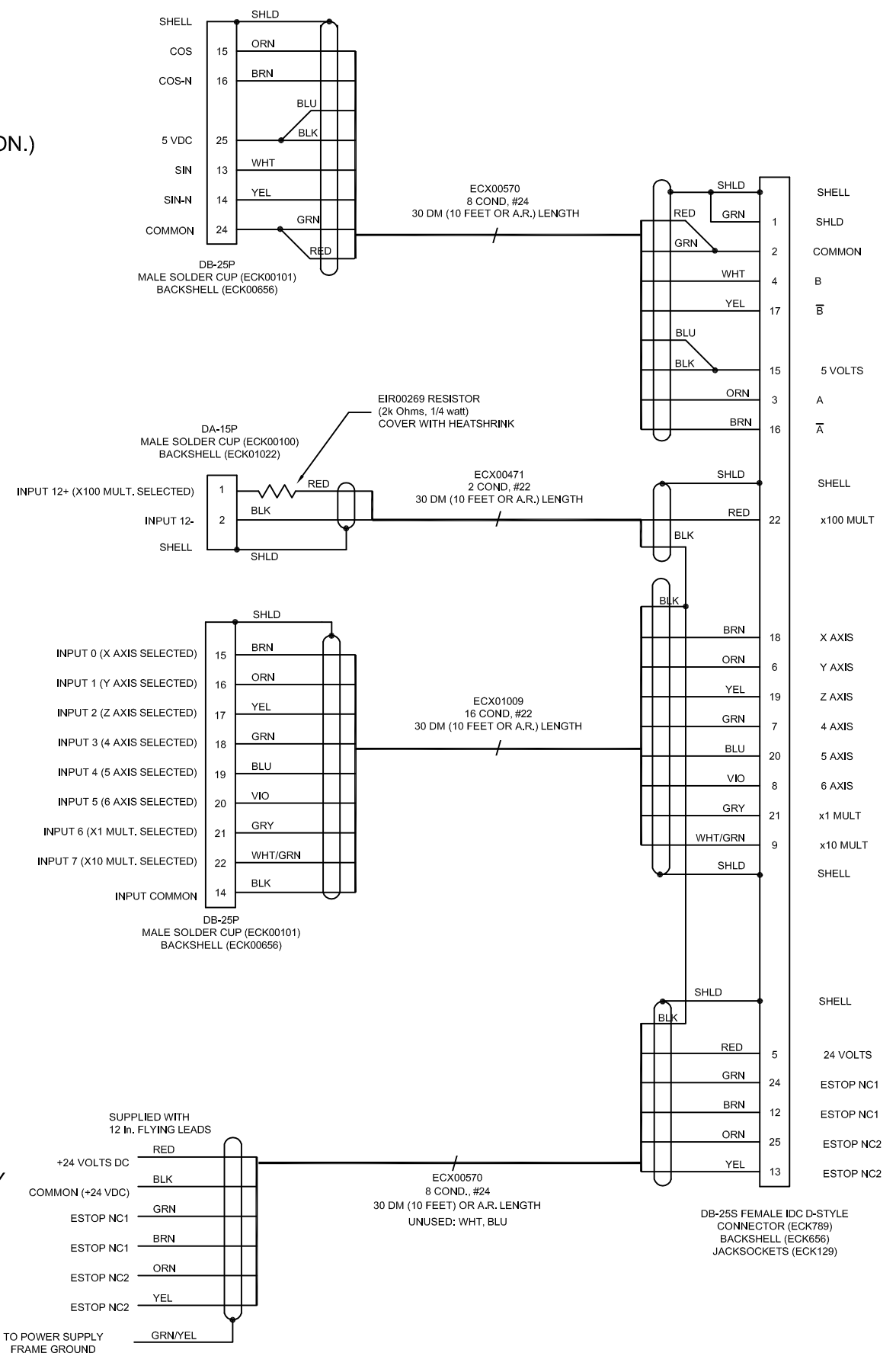
REVISIONS			
REV	DESCRIPTION	APPROVAL	DATE

TO NPAQ
(HIGH SPEED I/O CON.)
J8

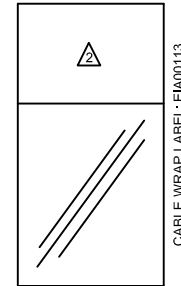
TO NPAQ
(MISC. I/O)
J12

TO NPAQ
(I/O CONNECTOR)
J9

TO POWER SUPPLY
(OPT. BRAKE24-2)
AND
E-STOP RELAY



- ⚠ LABEL E-STOP CONNECTOR WITH EIA01581
- ⚠ LABEL EACH CABLE PER DEFINED TEXT WITH EIA00113
- ⚠ ADD HEATSHRINK OVER END OF CABLE BUNDLE



PROPRIETARY INFORMATION THIS DRAWING IS THE PROPERTY OF AEROTECH, INC. AND IS SUBMITTED IN CONFIDENCE AND SHALL NOT BE REPRODUCED NOR COPIED NOR DISCLOSED TO OTHERS UNDER PENALTY OF LAW.			AEROTECH, INC. 101 Zeta Drive Pittsburgh, PA. 15238-2897, USA (412) 963-7470 HTTP://www.Aerotech.com		
TOLERANCES ON FRACTIONS DECIMALS ANGLES 0 TO 6 1/32 .XX ±0.1 ± 0-30' OVER 6 1/16 .XXX ±0.05			Npaq MPG INTERFACE CABLE		
RMS FINISH EXCEPT AS NOTED					
DRAWN	9/24/2010	JFM	PART CODE	SIZE	REV.
CHECKED	9/27/2010	AGS	C22673-xx	D	-
APPD.	9/27/2010	JFM	SCALE	FILE NAME	SHEET
			NTS	630D2267-3.Dwg	1 of 1