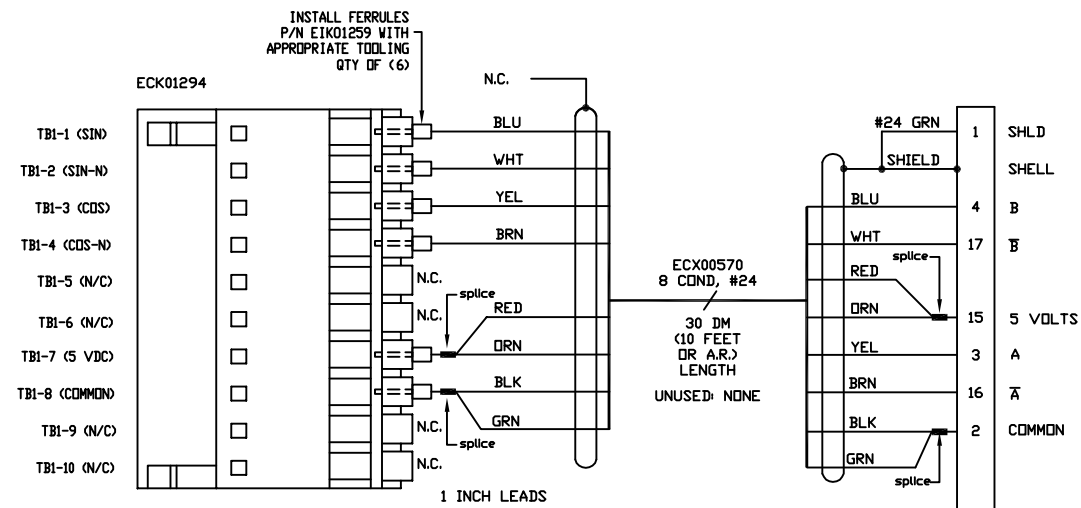
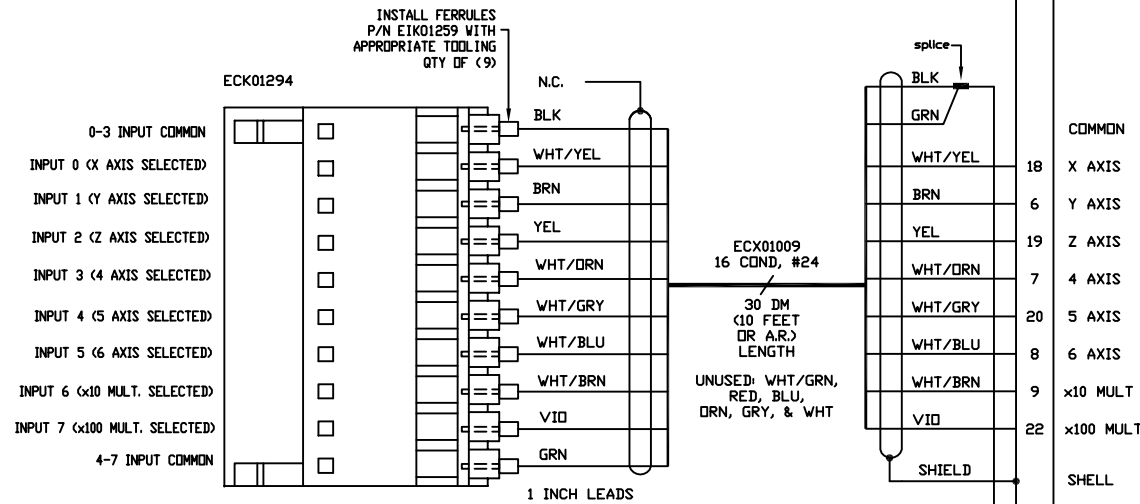


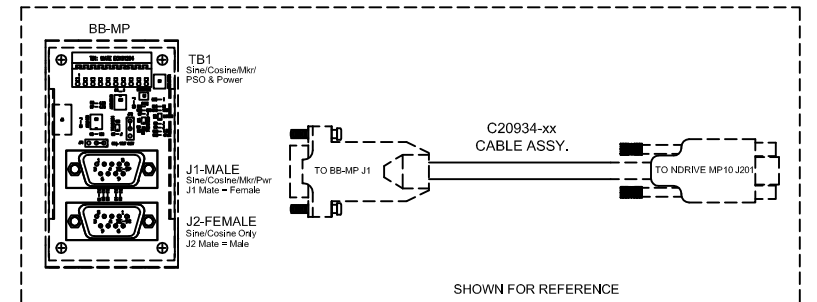
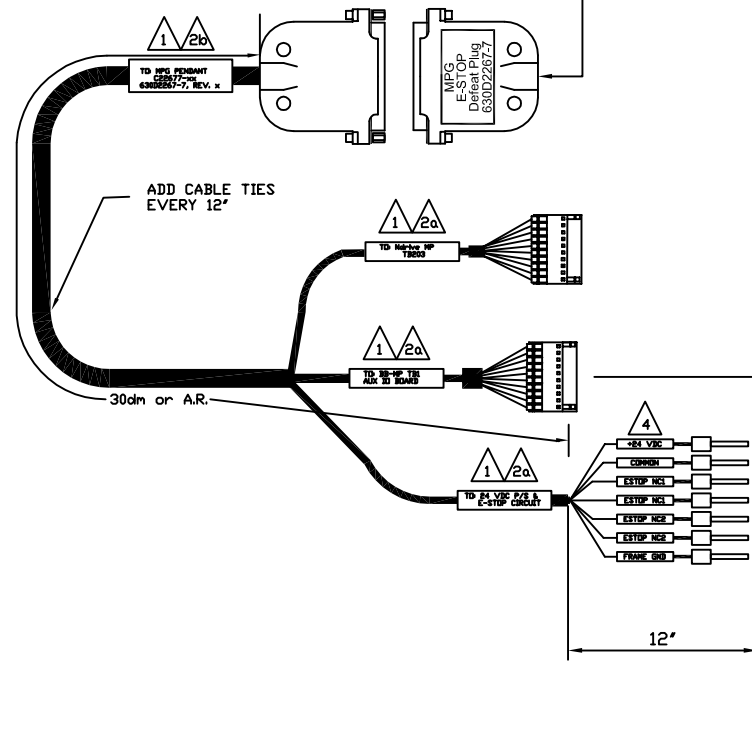
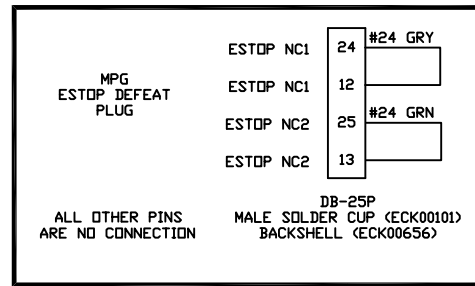
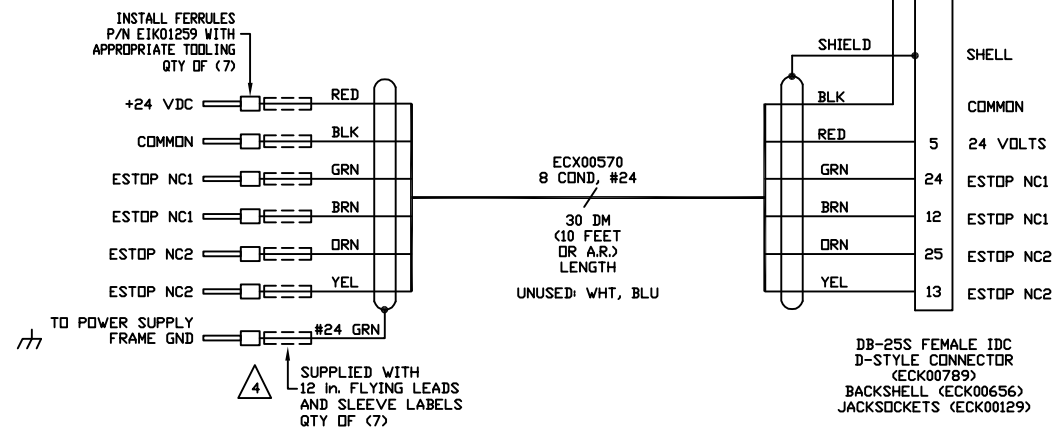
TO
BB-MP MODULE
TB1



TO
NDRIVE MP
TB203



TO POWER SUPPLY
(OPT. BRAKE24-2)
AND
E-STOP RELAY



DB-25S FEMALE IDC
D-STYLE CONNECTOR
(ECK00789)
BACKSHELL (ECK00656)
JACKS SOCKETS (ECK00129)

- ▲ WIRE SLEEVES
IDENTIFY EACH WIRE, COM, ESTOP NC1, ETC.
USE LABEL SLEEVE (EIA01161).
- ▲ ADD EIA01583 LABEL TO E-STOP CONNECTOR
- ▲ a.) PSPT-375-175-WT WIRE MARKING SLEEVE, (0.67") (EIA01305)
b.) PSPT-500-175-WT WIRE MARKING SLEEVE, (0.87") (EIA01219)
- ▲ ADD HEATSHRINK OVER END OF CABLE BUNDLE (3 PLS.)

PROPRIETARY INFORMATION
THIS DRAWING IS THE PROPERTY
OF AEROTECH, INC. AND IS
SUBMITTED IN CONFIDENCE AND
SHALL NOT BE REPRODUCED NOR
COPIED NOR DISCLOSED TO OTHERS
UNDER PENALTY OF LAW.

AEROTECH
AEROTECH, INC. 101 Zeta Drive
Pittsburgh, PA. 15238
(412)963-7470
www.aerotech.com

TOLERANCES ON
FRACTIONS DECIMALS ANGLES
0 TO 6 ± 1/32 .XX ± .01 ± 0-30°
OVER 6 ± 1/16 .XXX ± .005

MPG HANDWHEEL
TO Ndrive MP
VIA BB-MP CABLE

DRAWN	LTL	1-7-2013	CHECKED	AGS	1-7-2013	APPD.	AGS	1-7-2013	SCALE	NTS	FILE NAME	630D2267-701.Dwg	SHEET	1 OF 1	
RMS FINISH		EXCEPT AS NOTED		PART CODE		SIZE		REV.		C22677-XX		D		630D2267-7	