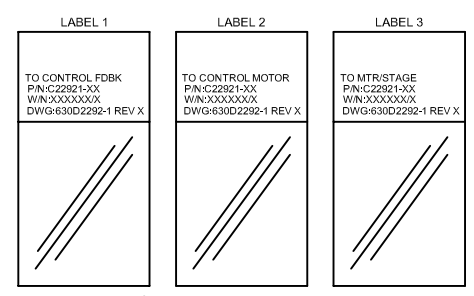
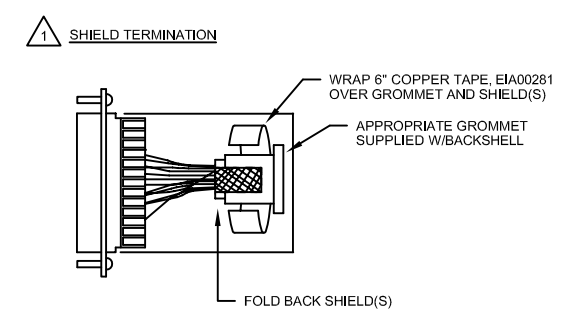
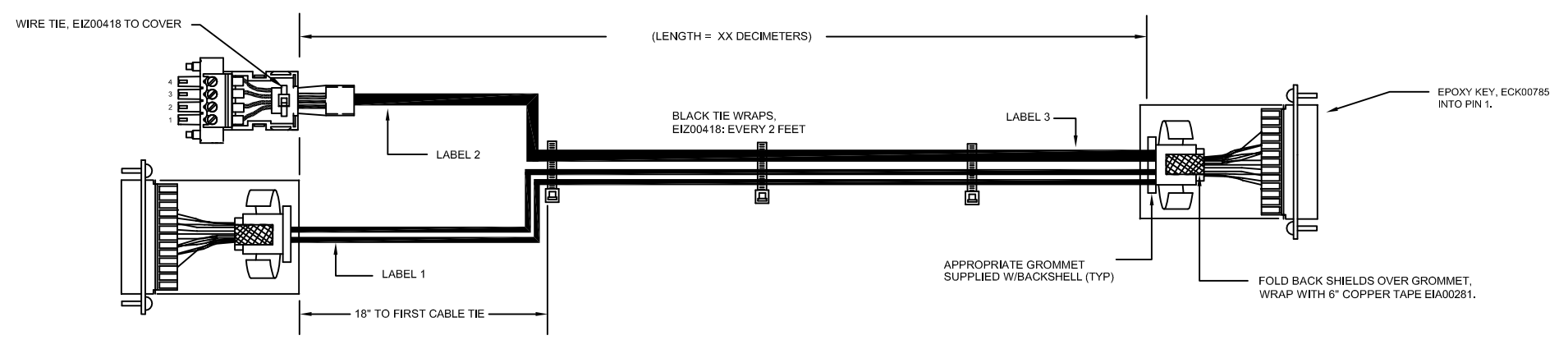
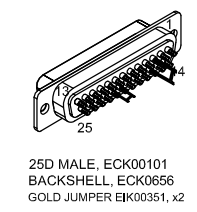
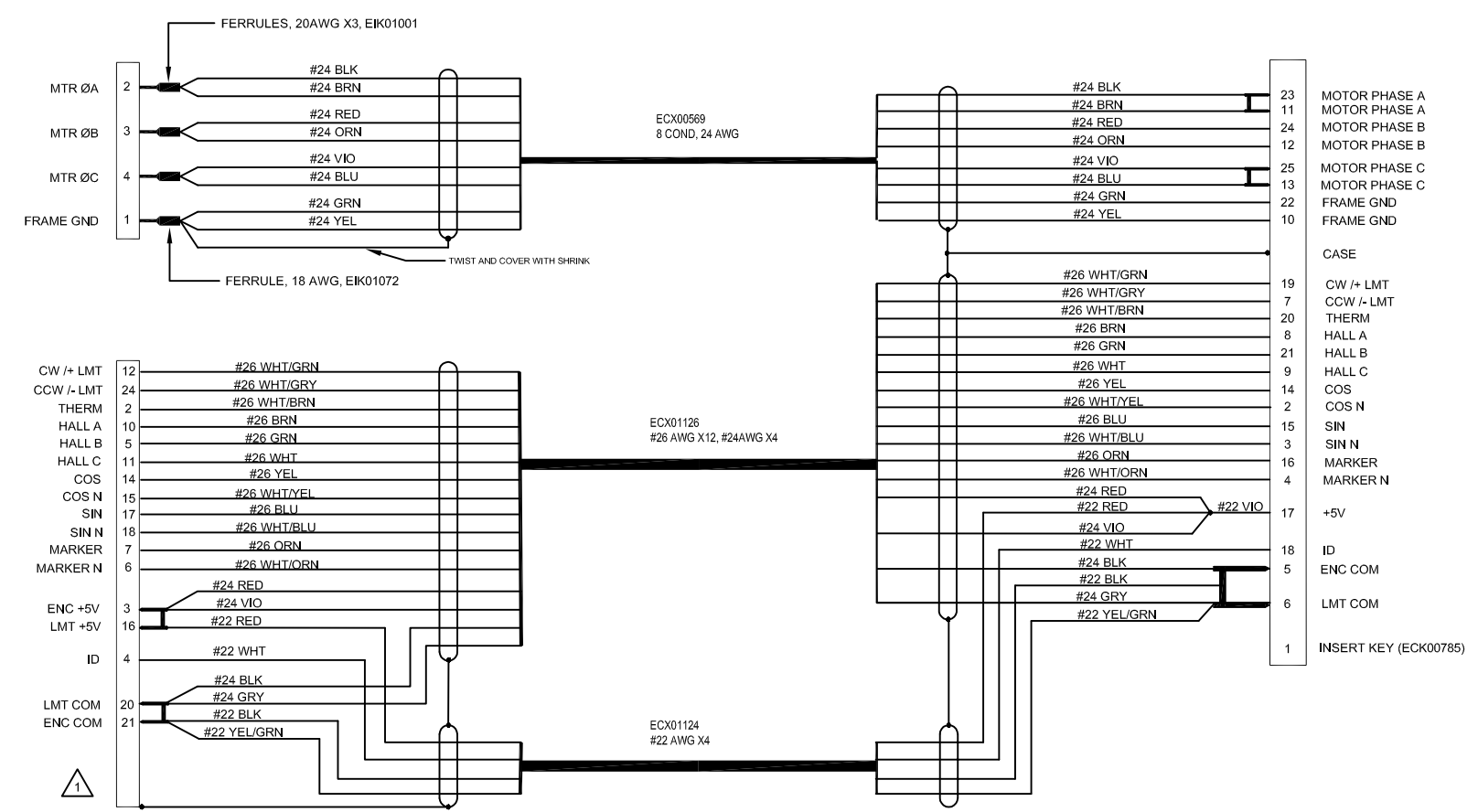
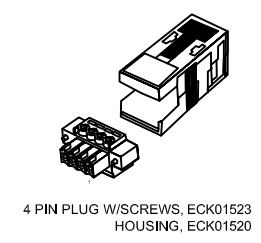


REVISIONS		DATE	DRAWN
REV.	DESCRIPTION		
A	ADDED ECN 13577	9/8/11	EJB
B	ADDED ECO 789	1/31/18	JFM



PROPRIETARY INFORMATION
THIS DRAWING IS THE PROPERTY OF AEROTECH, INC. AND IS SUBMITTED IN CONFIDENCE AND SHALL NOT BE REPRODUCED NOR COPIED NOR DISCLOSED TO OTHERS UNDER PENALTY OF LAW.

AEROTECH
AEROTECH, INC. 101 Zeta Drive
Pittsburgh, PA, 15238
(412)963-7470
www.aerotech.com

TOLERANCES UNLESS OTHERWISE SPECIFIED:
FRACTIONS DECIMALS ANGLES
0 TO 6 ±1/32 .XX ±0.1 ° 0-30'
OVER 6 ±1/16 .XXX ±0.005

RMS FINISH EXCEPT AS NOTED

HI FLEX MOTOR/FEEDBACK CABLE
C22921
BL MTR + FB-4TS 25D-25D-5ARMS-HF65-MAX169DM

DRAWN	TES	3/24/10	PART CODE	SIZE	REV.
CHECKED	AGS	3/24/10	C22921	D	B
APPD.	AGS	3/24/10	SCALE	FILE NAME	SHEET
			NTS	630D2292-1.Dwg	1 of 1