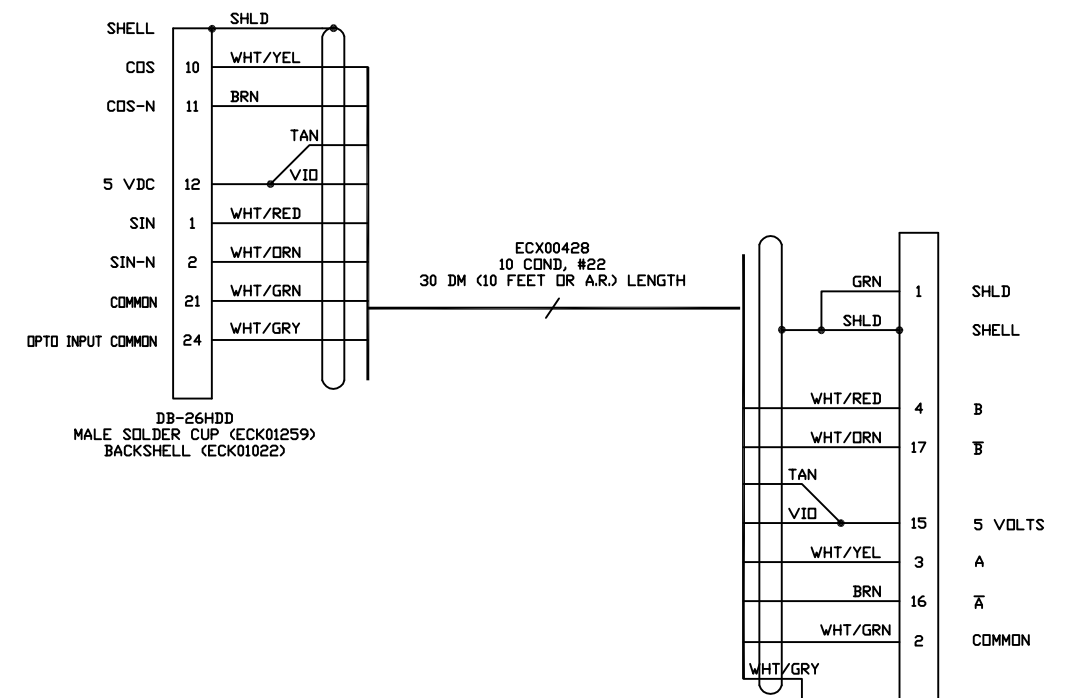
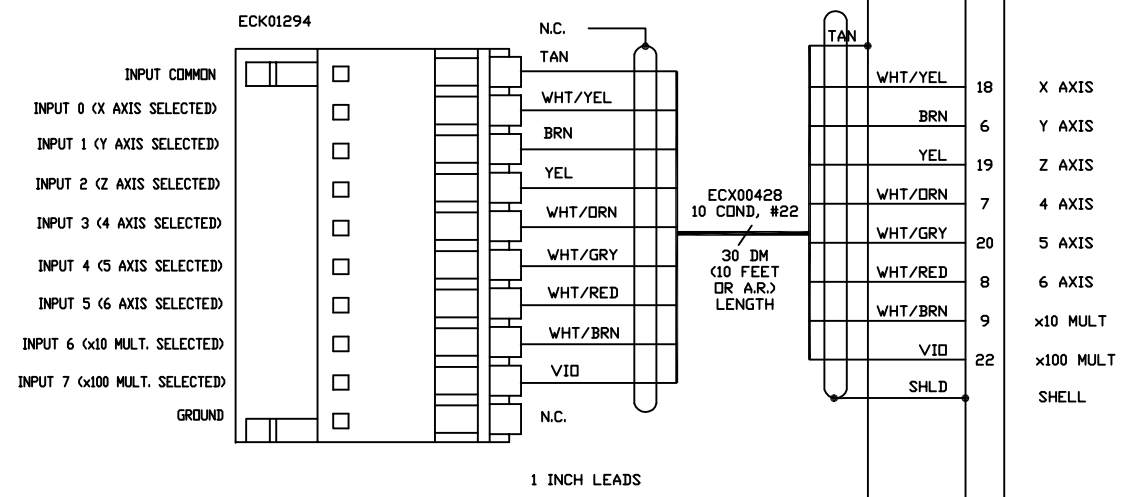


REVISIONS				
SYN.	ZONE	DESCRIPTION	DATE	APPROVAL
DO NOT REVISE THIS .DWG.				
REVISE 630D2327-001.DWG AND RECREATE -1, -2, -3, -7 AND -8 DWG'S.				
COPY REVISION LETTER FROM 630D2327-001.DWG TO ALL -1 THRU -7 DWG'S				

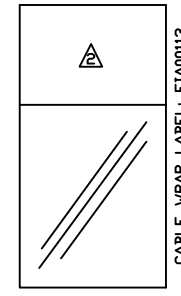
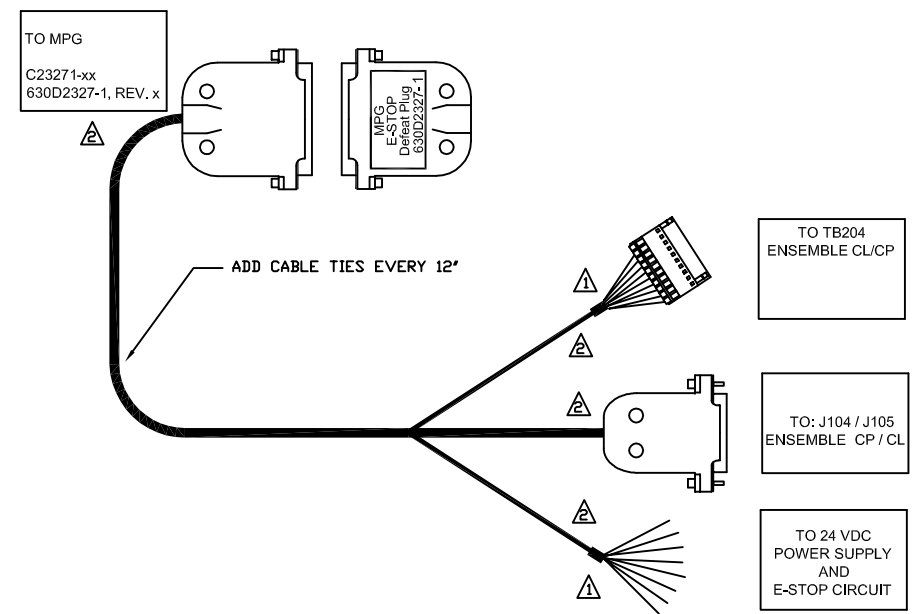
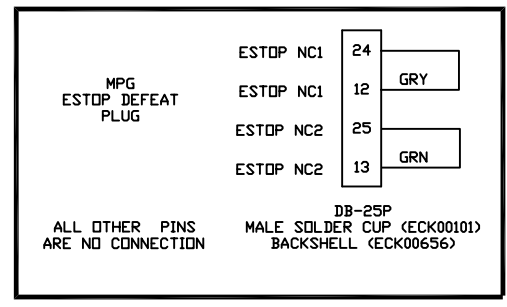
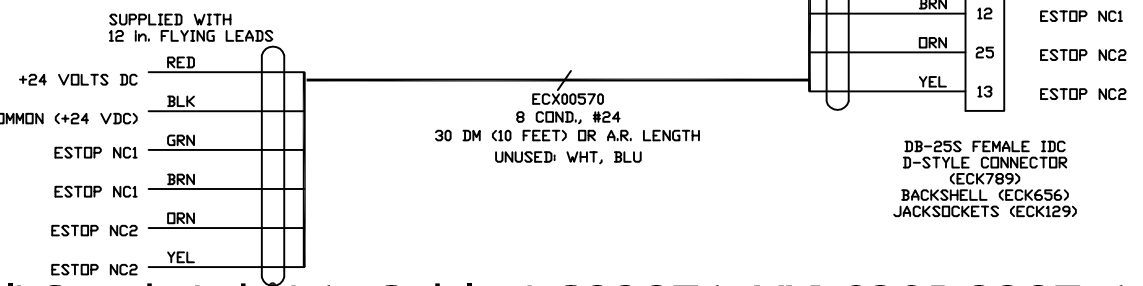
TO (AUX I/O):
ENSEMBLE CL J105
OR
ENSEMBLE CP J104



TO ENSEMBLE CL/CP
TB204



TO POWER SUPPLY
(OPT. BRAKE24-2)
AND
E-STOP RELAY



PROPRIETARY INFORMATION THIS DRAWING IS THE PROPERTY OF AEROTECH, INC. AND IS SUBMITTED IN CONFIDENCE AND SHALL NOT BE REPRODUCED NOR COPIED NOR DISCLOSED TO OTHERS UNDER PENALTY OF LAW.			AEROTECH, INC. 101 Zeta Drive Pittsburgh, PA. 15238-2897, USA (412) 963-7470 HTTP://www.Aerotech.com		
TOLERANCES ON FRACTIONS DECIMALS ANGLES 0 TO 6 ± 1/32 .XX ± .01 ± 0-30° OVER 6 ± 1/16 .XXX ± .005			ENSEMBLE CL and CP PENDANT INTERFACE CABLE		
RMS FINISH	EXCEPT AS NOTED	PART CODE		SIZE	REV.
DRAWN	2/10/2011	TES	C23271-xx	D	630D2327-1
CHECKED	2/10/2011	AGS	FILE NAME 630D2327-001.Dwg		SHEET 1 of 1
APPD.	2/10/2011	AGS			