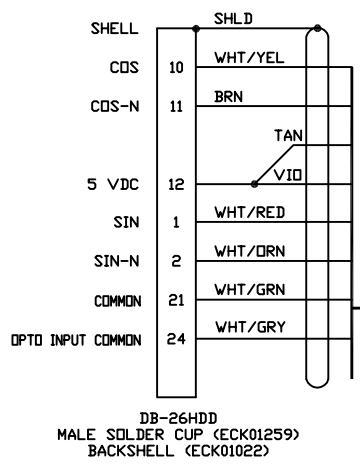


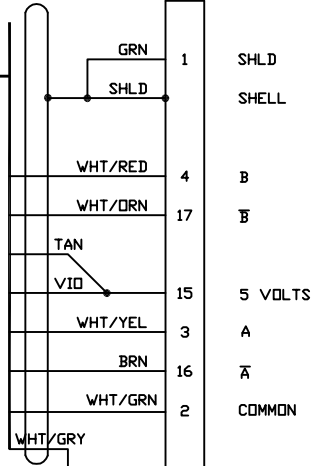
REVISIONS				
SYN.	ZONE	DESCRIPTION	DATE	APPROVAL
DO NOT REVISE THIS .DWG.				
REVISE 630D2327-001.DWG AND RECREATE -1, -2, -3, -7 AND -8 DWG'S.				
COPY REVISION LETTER FROM 630D2327-001.DWG TO ALL -1 THRU -7 DWG'S				

TO ENSEMBLE HLe/HPe (AUX I/O) J205

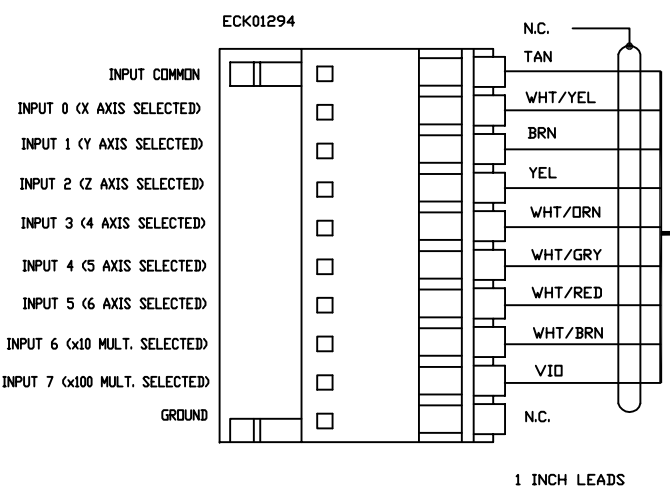


DB-26HDD
MALE SOLDER CUP (ECK01259)
BACKSHELL (ECK01022)

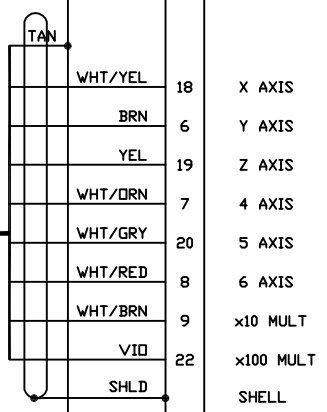
ECX00428
10 COND, #22
30 DM (10 FEET OR A.R.) LENGTH



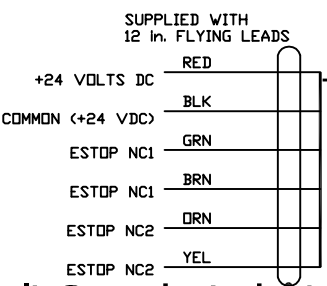
TO ENSEMBLE HLe/HPe TB305



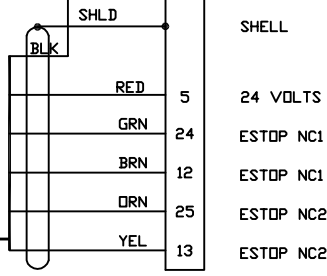
ECX00428
10 COND, #22
30 DM (10 FEET OR A.R.) LENGTH



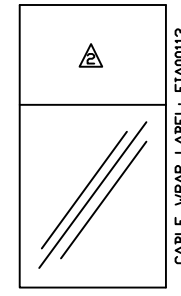
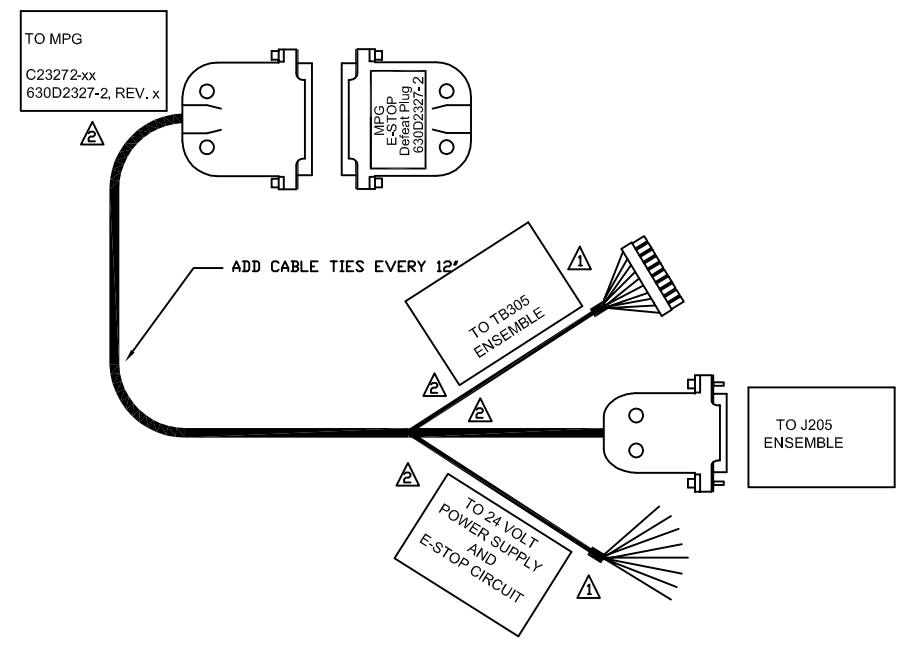
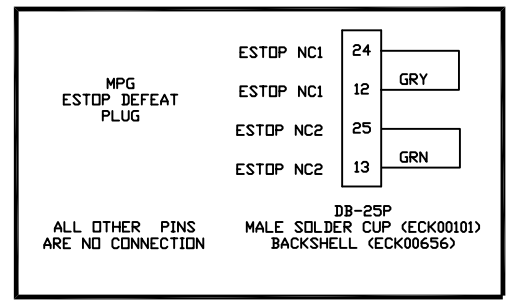
TO POWER SUPPLY (OPT. BRAKE24-2) AND E-STOP RELAY



ECX00570
8 COND, #24
30 DM (10 FEET) OR A.R. LENGTH
UNUSED: WHT, BLU



DB-25S FEMALE IDC
D-STYLE CONNECTOR (ECK789)
BACKSHELL (ECK656)
JACKSOCKETS (ECK129)



CABLE WRAP LABEL: EIA00113

PROPRIETARY INFORMATION THIS DRAWING IS THE PROPERTY OF AEROTECH, INC. AND IS SUBMITTED IN CONFIDENCE AND SHALL NOT BE REPRODUCED NOR COPIED NOR DISCLOSED TO OTHERS UNDER PENALTY OF LAW.			AEROTECH, INC. 101 Zeta Drive Pittsburgh, PA. 15238-2897, USA (412) 963-7470 HTTP://www.Aerotech.com		
TOLERANCES ON FRACTIONS DECIMALS ANGLES 0 TO 6 ± 1/32 .XX ± .01 ± 0-30' OVER 6 ± 1/16 .XXX ± .005			ENSEMBLE HLE and HPE PENDANT INTERFACE CABLE		
RMS FINISH	EXCEPT AS NOTED				
DRAWN	2/10/2011	TES	PART CODE	SIZE	REV.
CHECKED	2/10/2011	AGS	C23272-xx	D 630D2327-2	-
APPD.	2/10/2011	AGS	SCALE NTS	FILE NAME 630D2327-001.Dwg	SHEET 1 of 1

⚠ LABEL CONNECTOR WITH EIA01195
 ⚠ LABEL EACH CABLE PER DEFINED TEXT WITH EIA00113
 ⚠ ALL LEAD STRIKES OVER END OF CABLE TUNNEL K2 PLG.