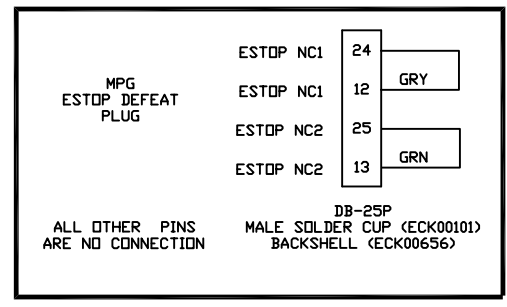
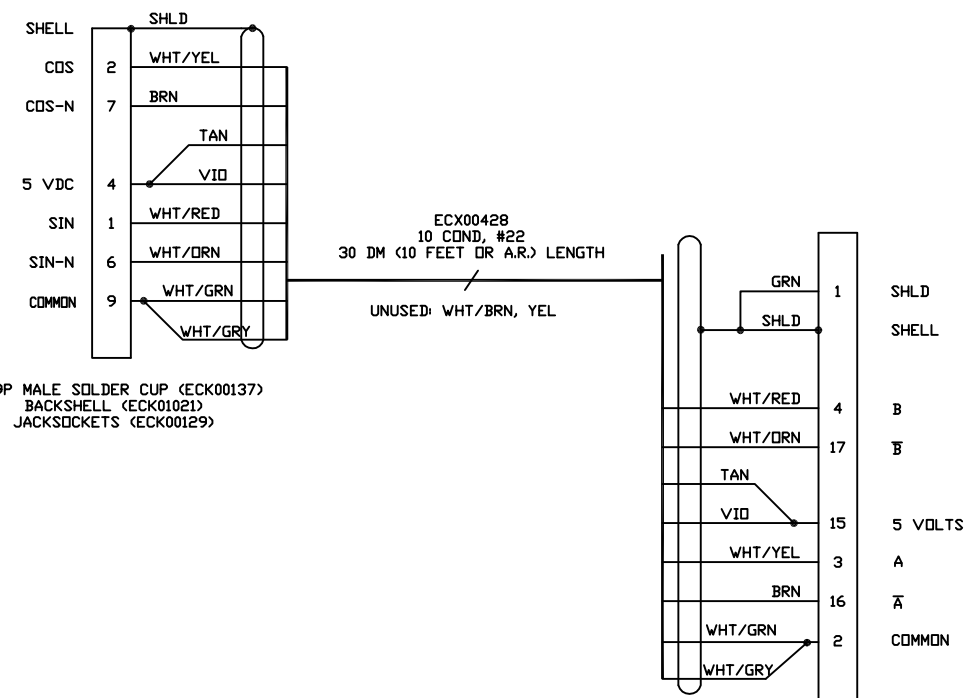


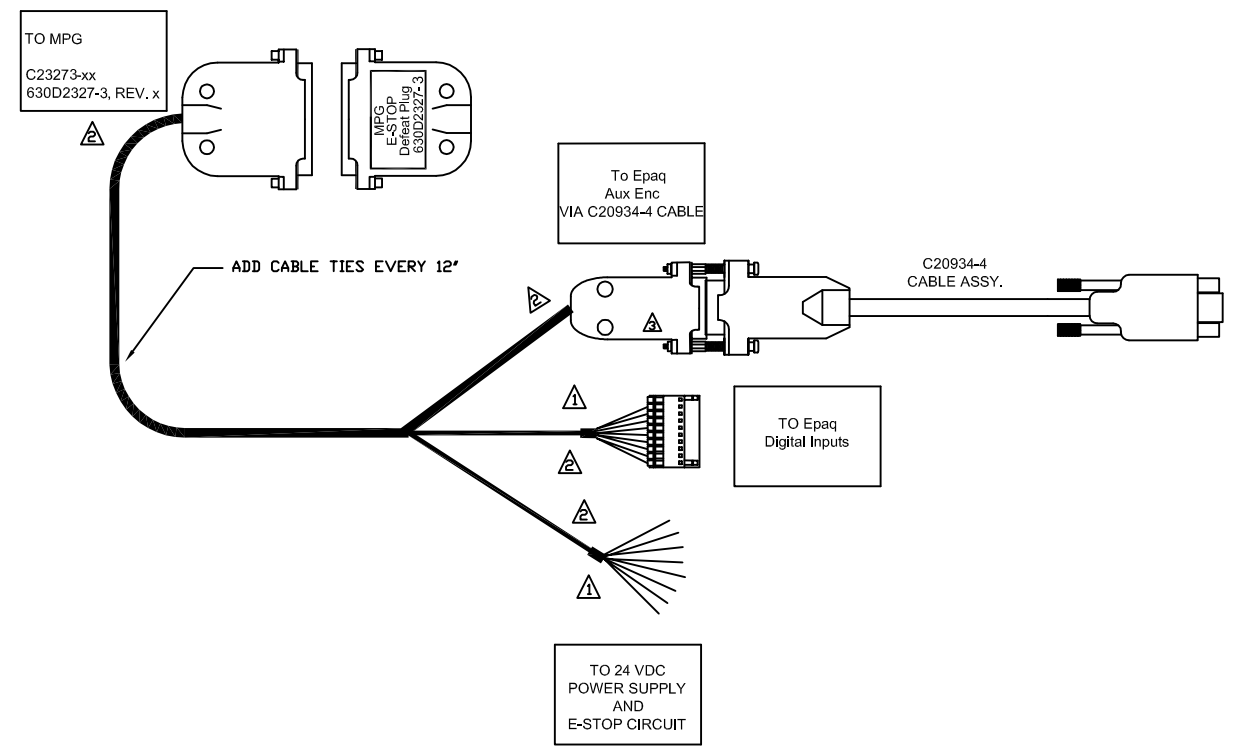
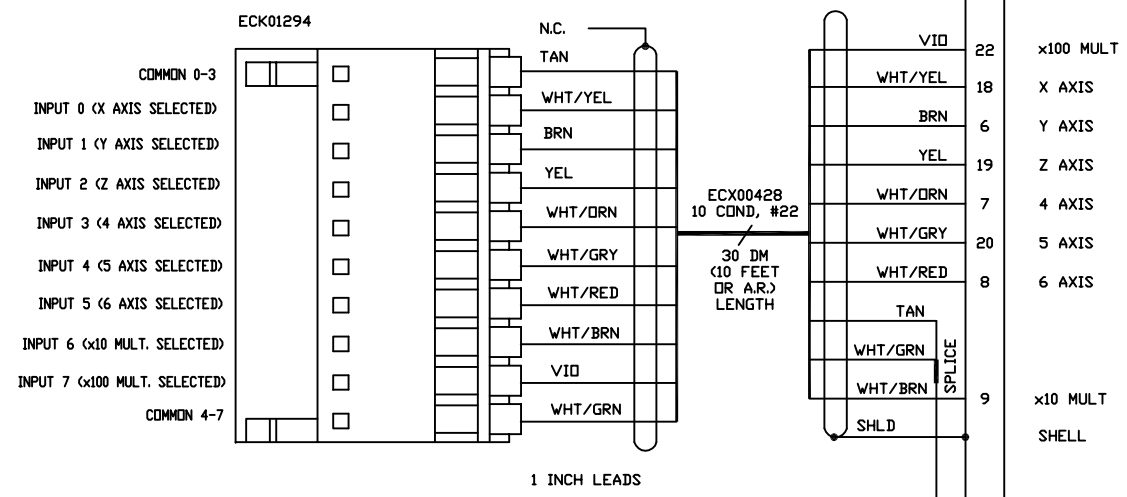
REVISIONS				
SYN.	ZONE	DESCRIPTION	DATE	APPROVAL

DO NOT REVISE THIS .DWG.
 REVISE 630D2327-001.DWG AND RECREATE -1, -2, -3, -7 AND -8 .DWG'S.
 COPY REVISION LETTER FROM 630D2327-001.DWG TO ALL -1 THRU -7 .DWG'S

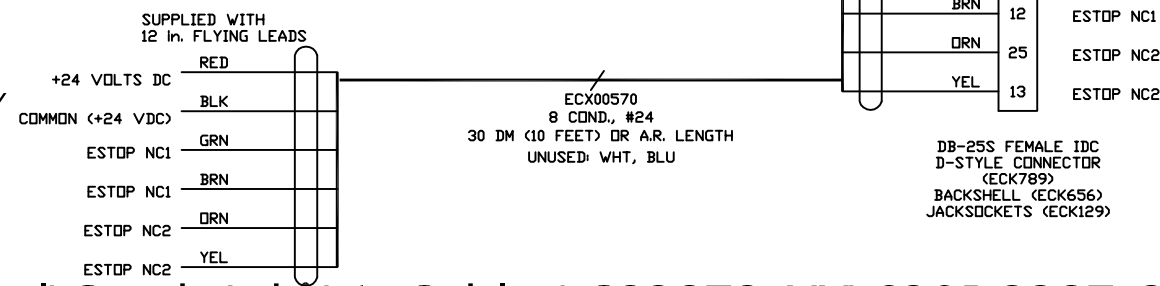
To Epaq
 Aux Enc
 (VIA C20934-4 CABLE)



TO Epaq
 Digital Inputs

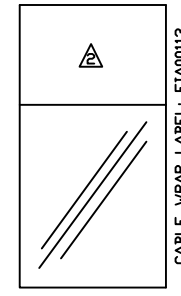


TO POWER SUPPLY
 (OPT. BRAKE24-2)
 AND
 E-STOP RELAY



⚠ LABEL CONNECTOR WITH EIA001195

⚠ LABEL EACH CABLE PER DEFINED TEXT WITH EIA00113



PROPRIETARY INFORMATION THIS DRAWING IS THE PROPERTY OF AEROTECH, INC. AND IS SUBMITTED IN CONFIDENCE AND SHALL NOT BE REPRODUCED NOR COPIED NOR DISCLOSED TO OTHERS UNDER PENALTY OF LAW.		AEROTECH, INC. 101 Zeta Drive Pittsburgh, PA. 15238-2897, USA (412) 963-7470 HTTP://www.Aerotech.com	
EPAQ PENDANT INTERFACE CABLE			
TOLERANCES ON FRACTIONS DECIMALS ANGLES 0 TO 6 ± 1/32 .XX ± .01 ± 0-30° OVER 6 ± 1/16 .XXX ± .005	RMS FINISH EXCEPT AS NOTED		
DRAWN 2/10/2011 TES CHECKED 2/10/2011 AGS APPD. 2/10/2011 AGS	PART CODE C23273-xx	SIZE D	REV. 630D2327-3 -
SCALE NTS FILE NAME 630D2327-001.Dwg	SHEET 1 of 1		