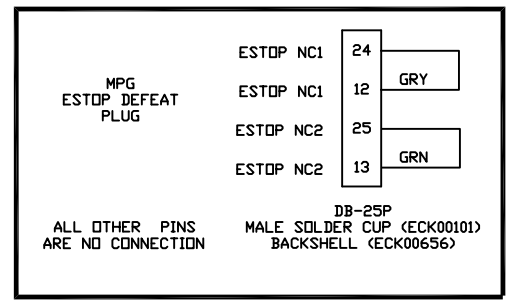
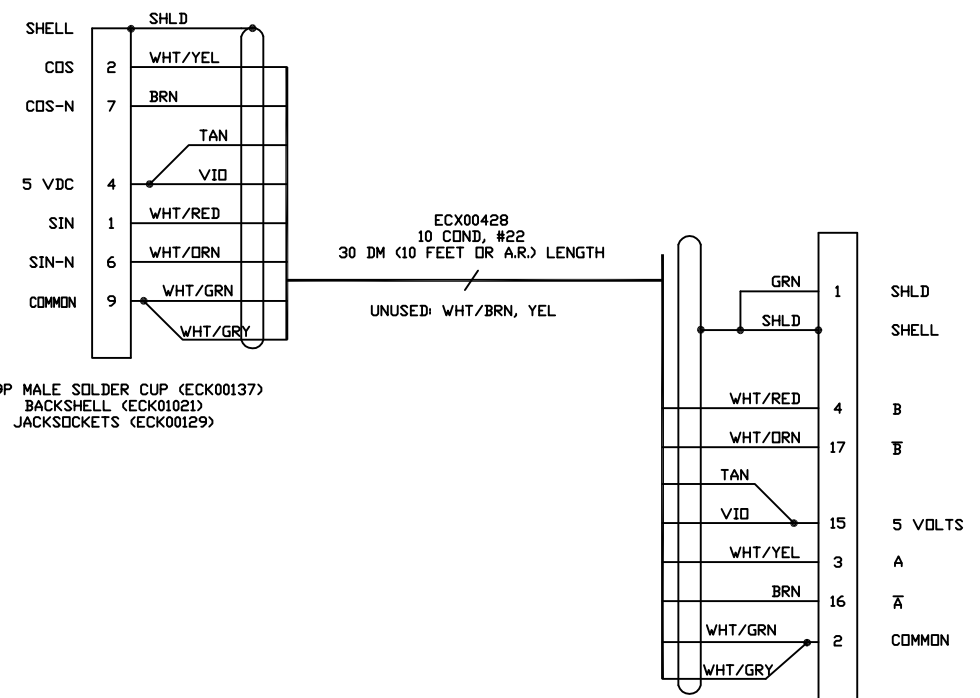
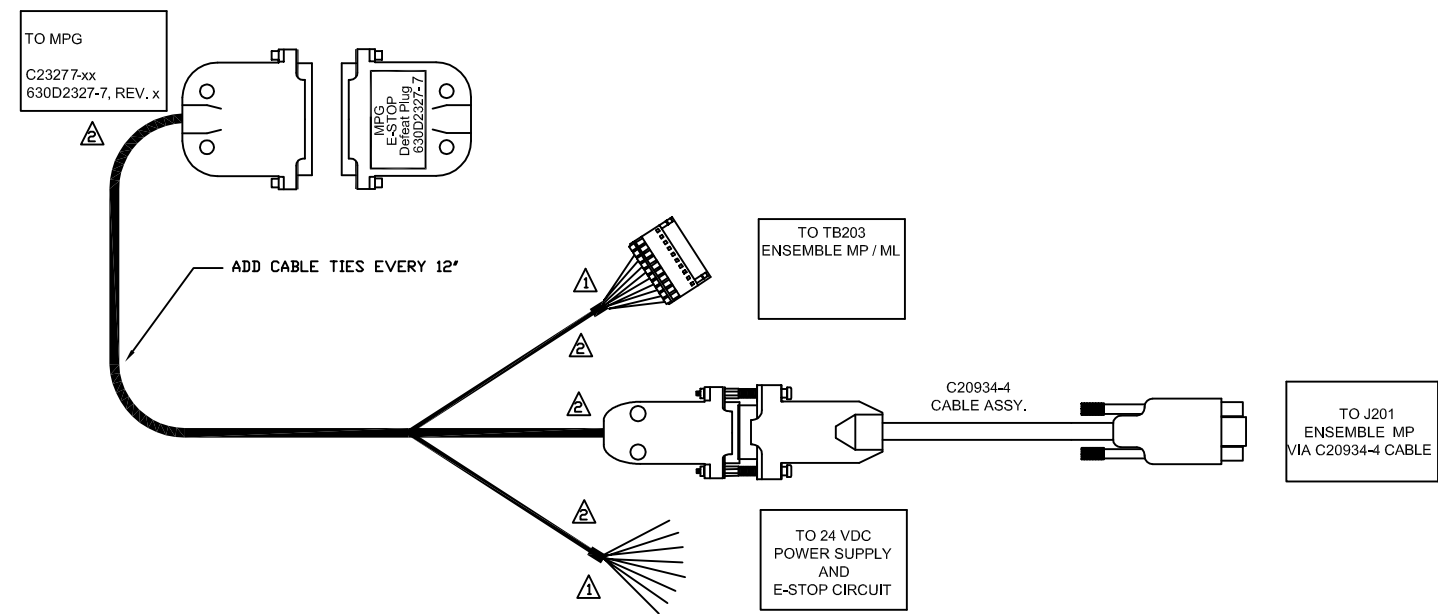
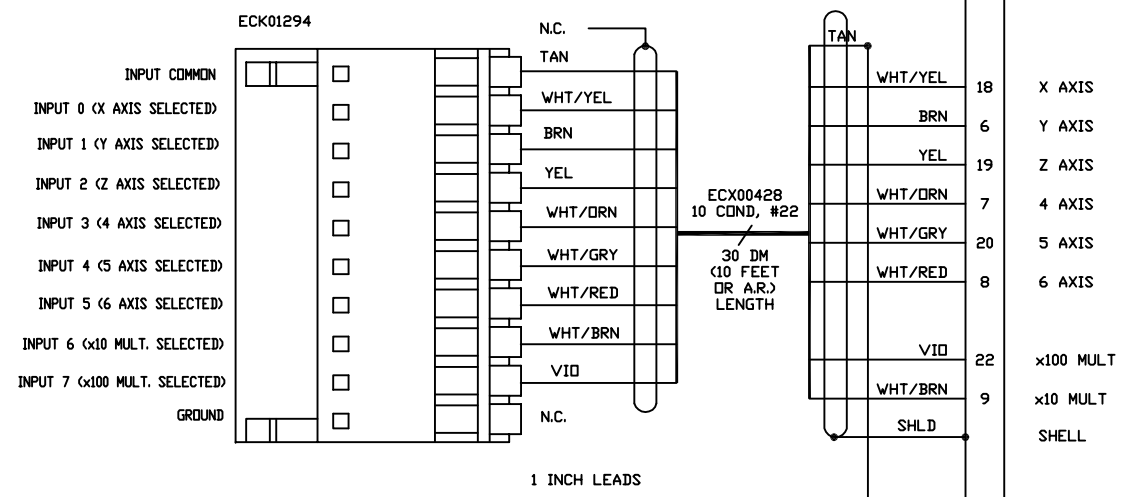


REVISIONS				
SYN.	ZONE	DESCRIPTION	DATE	APPROVAL
DO NOT REVISE THIS .DWG.				
REVISE 630D2327-001.DWG AND RECREATE -1, -2, -3, -7 AND -8 DWG'S.				
COPY REVISION LETTER FROM 630D2327-001.DWG TO ALL -1 THRU -7 DWG'S				

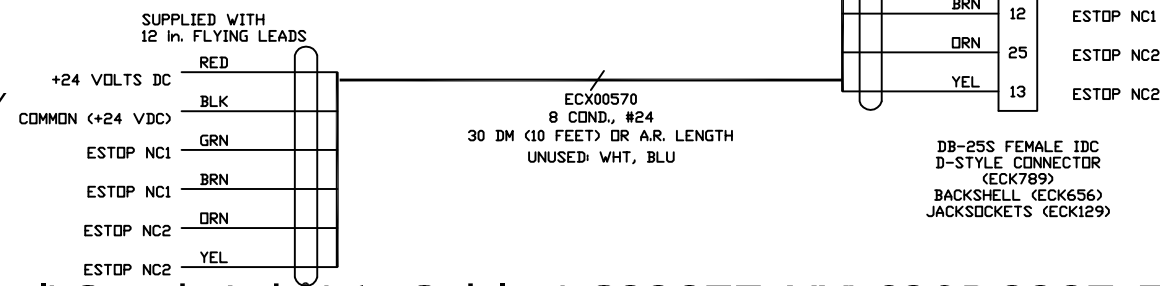
TO (AUX I/O):
ENSEMBLE MP / ML
J201
VIA C20934-4 CABLE



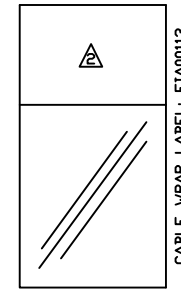
TO ENSEMBLE MP/ML
TB203



TO POWER SUPPLY
(OPT. BRAKE24-2)
AND
E-STOP RELAY



⚠ LABEL CONNECTOR WITH EIA01195
⚠ LABEL EACH CABLE PER DEFINED TEXT WITH EIA00113
⚠ ALL LEADS SHINK OVER END OF CABLE BUNDLE K2 PLG.



PROPRIETARY INFORMATION THIS DRAWING IS THE PROPERTY OF AEROTECH, INC. AND IS SUBMITTED IN CONFIDENCE AND SHALL NOT BE REPRODUCED NOR COPIED NOR DISCLOSED TO OTHERS UNDER PENALTY OF LAW.		AEROTECH, INC. 101 Zeta Drive Pittsburgh, PA. 15238-2897, USA (412) 963-7470 HTTP://www.Aerotech.com	
ENSEMBLE ML / MP PENDANT INTERFACE CABLE			
TOLERANCES ON FRACTIONS DECIMALS ANGLES 0 TO 6 ± 1/32 .XX ± .01 ± 0-30° OVER 6 ± 1/16 .XXX ± .005		RMS FINISH EXCEPT AS NOTED	
DRAWN	2/10/2011	TES	PART CODE
CHECKED	2/10/2011	AGS	SIZE
APPD.	2/10/2011	AGS	SCALE NTS
FILE NAME 630D2327-001.Dwg		SHEET 1 of 1	