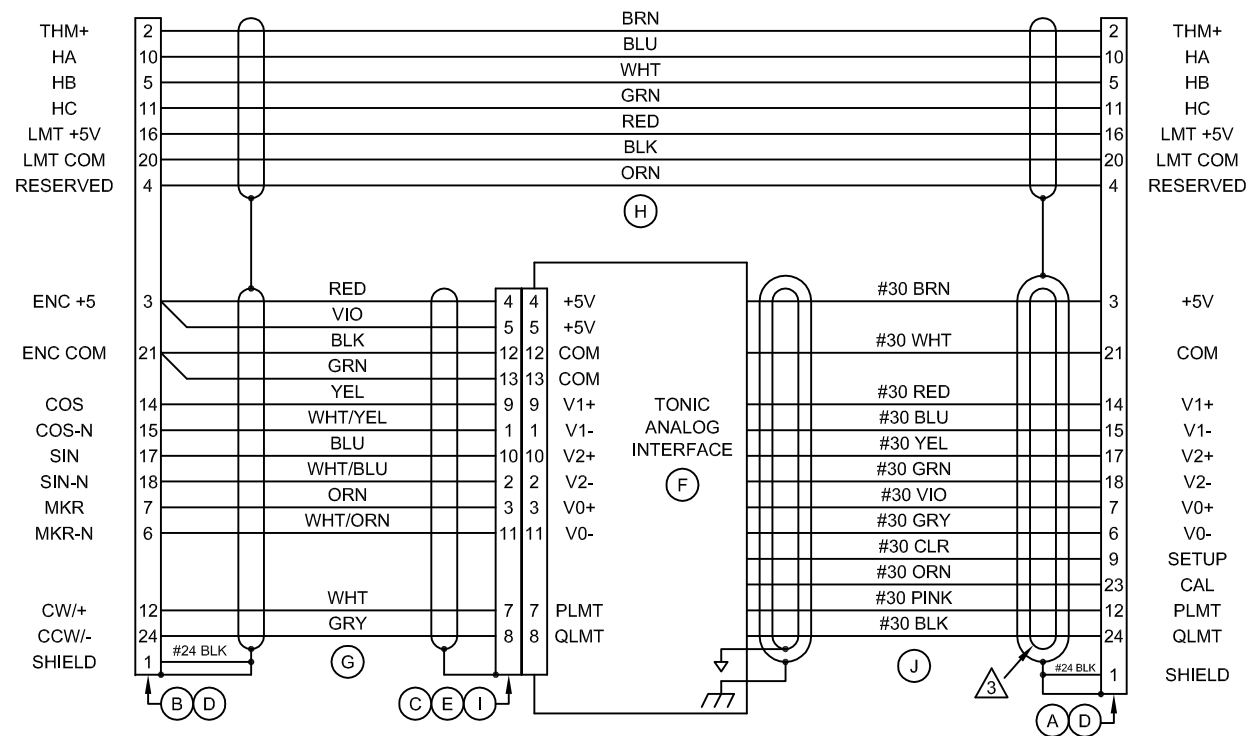
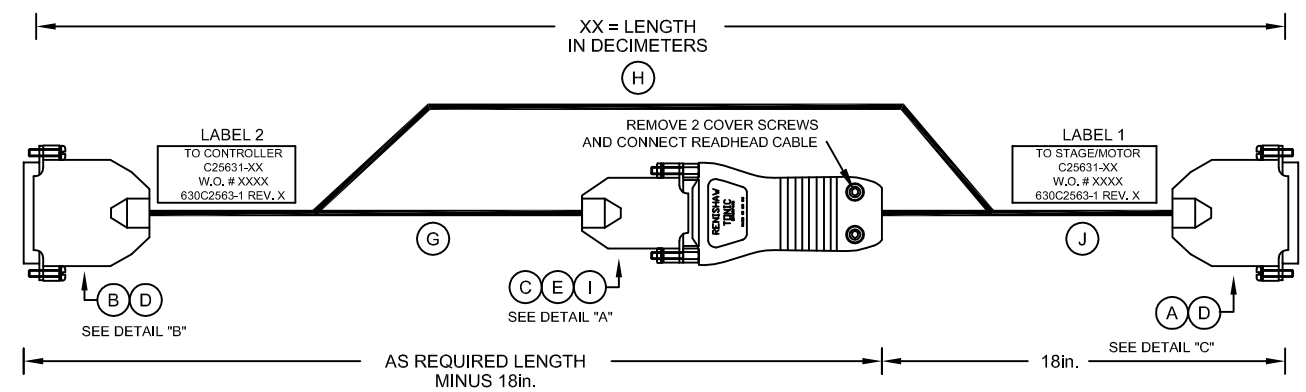
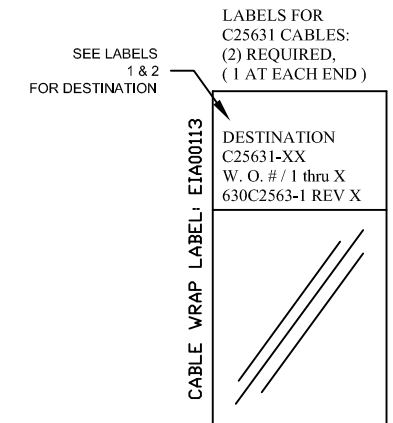


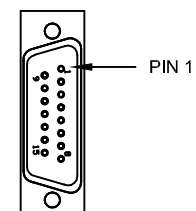
REVISIONS				
REV.	ZONE	DESCRIPTION	DATE	DRAWN



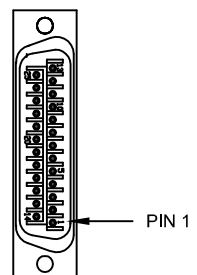
- 1 TIE WRAP CABLE EVERY ~2FT.
- 2 MAXIMUM CABLE LENGTH TO ALLOW NO MORE THAN A 0.45V DROP WITH A READ HEAD CURRENT LOAD OF 160mA.
- 3 INSULATE INNER SHIELD WITH SHRINK TUBING. INNER SHIELD SHOULD NOT MAKE CONTACT WITH OUTER SHIELD.
- 4 LABELING



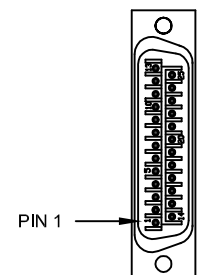
PARTS LIST (FOR REFERENCE ONLY)					
#	QTY.	DESCRIPTION	MFR.	PART NUMBER	COMP.#
A	1	25 PIN FEMALE D CONNECTOR	FCI	DB-25S	ECK00300
B	1	25 PIN MALE D CONNECTOR	FCI	DB-25P	ECK00101
C	1	15 PIN FEMALE D CONNECTOR	FCI	DA-15S	ECK00326
D	2	25 PIN BACKSHELL	AMPHENOL	17E-1726-2	ECK00656
E	1	15 PIN BACKSHELL	AMPHENOL	17E-1725-2	ECK01022
F	1	TONIC ANALOG INTERFACE	RENISHAW	TI-0000-A-00-A	MAL01715
G	AR	16 COND #24 SHIELDED CABLE	CONSOLIDATED	-	ECX01009
H	AR	8 COND #24 SHIELDED CABLE	BELDEN	9538	ECX00570
I	1	JACKSOCKET	AMP	5207719-3	ECK00129
J	1	TONIC 1.0M CABLE ASSEMBLY	RENISHAW	A-9653-1005	MAL01895



DETAIL "A"
PLUG #DB-15S (ECK00326)
SOLDER VIEW



DETAIL "B"
PLUG #DB-25P (ECK00101)
SOLDER VIEW



DETAIL "C"
SOCKET #DB-25S (ECK00300)
SOLDER VIEW

PROPRIETARY INFORMATION
THIS DRAWING IS THE PROPERTY
OF AEROTECH, INC. AND IS
SUBMITTED IN CONFIDENCE AND
SHALL NOT BE REPRODUCED NOR
COPIED NOR DISCLOSED TO OTHERS
UNDER PENALTY OF LAW.



AEROTECH, INC. 101 Zeta Drive
Pittsburgh, PA. 15238
(412)963-7470
www.aerotech.com

TOLERANCES UNLESS NOTED		
FRACTIONS	DECIMALS	ANGLES
0 TO 6 ± 1/32	.XX ± .01	± 0-30'
OVER 6 ± 1/16	.XXX ± .005	

TONIC ANALOG FEEDBACK CABLE (CABLE: BL FB-25DU-25DU-TONIC-ANALOG-MAX300DM)				
RMS FINISH	EXCEPT AS NOTED	PART CODE	SIZE	REV.
		C25631-XX	C	-
DRAWN	EJB	5/10/16	630D2563-1	
CHECKED	KMS	5/10/16		
APPD.	EJB	5/10/16	SCALE NTS	FILE NAME 630D2563-101.DWG SHEET 1 OF 1