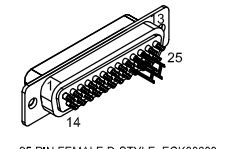


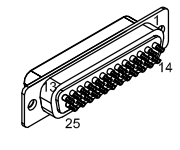
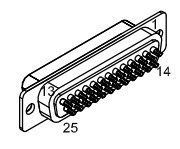
FOLDBACK WIRE OVER GROMMET WITH SHIELD

KEY (ECK00785) EPOXY INTO PIN 1

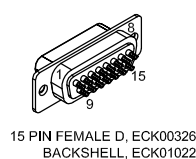


TO STAGE MOTOR/FEEDBACK

TO AUX ENC ADAPTER CABLE

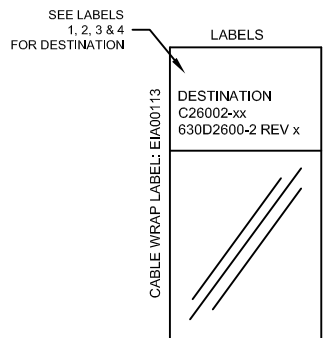


TO DRIVER FEEDBACK

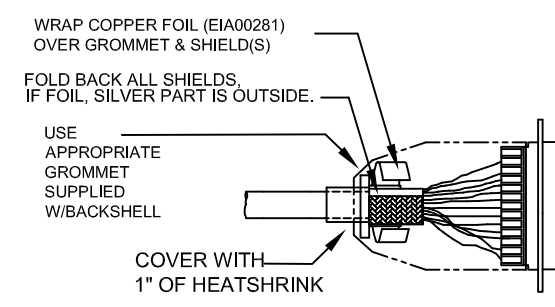


TO STAGE LINEAR ENCODER

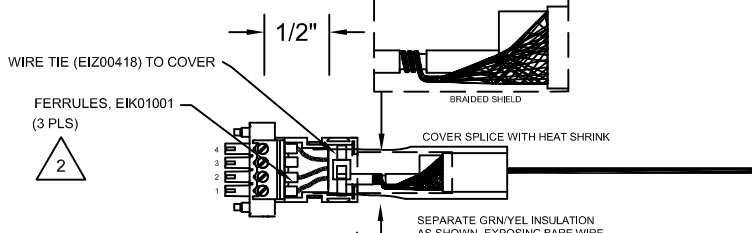
2 LABEL DEFINITION



1 SHIELD TERMINATION

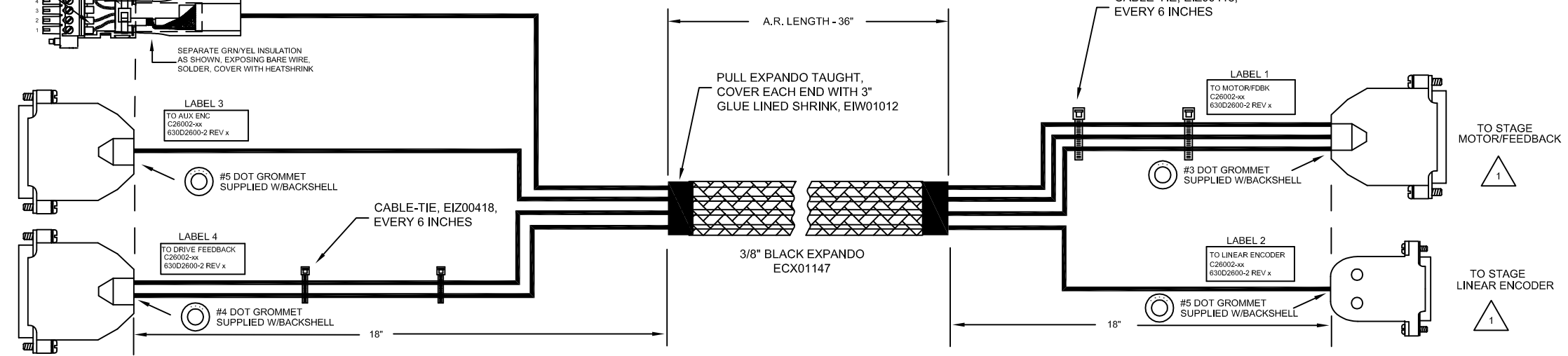


TWIST AS MUCH BRAIDED SHIELD THAT IS POSSIBLE TOGETHER THEN WRAP AND SPLICE SHIELD AROUND EXPOSED GRN/YEL WIRE.



TO AUX ENC ADAPTER CABLE

TO DRIVE FEEDBACK



PROPRIETARY INFORMATION THIS DRAWING IS THE PROPERTY OF AEROTECH, INC. AND IS SUBMITTED IN CONFIDENCE AND SHALL NOT BE REPRODUCED NOR COPIED NOR DISCLOSED TO OTHERS UNDER PENALTY OF LAW.			AEROTECH, INC. 101 Zeta Drive Pittsburgh, PA, 15238 (412)963-7470 www.aerotech.com		
TOLERANCES ON FRACTIONS DECIMALS ANGLES 0 TO 6 ±1/32 .XX ±0.1 ° 0-30' OVER 6 ±1/16 .XXX ±0.05			(Epaq) Cable: <b>DC MTR + FB-4TS 25D 25D -25DJS 15D-5ARMS-MAX73DM</b>		
RMS FINISH	EXCEPT AS NOTED	PART CODE		SIZE	REV.
DRAWN	JFM	9/22/2017	C26002	D	630D2600-2
CHECKED	JAB	9/22/2017	SCALE NTS		
APPD.	JFM	9/22/2017	FILE NAME	630D2600-2.Dwg	SHEET 1 OF 1