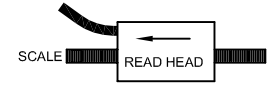


TO STAGE
LINEAR ENCODER
(TYP. SINE WAVE)

TO STAGE
LIMITS

REQUIRED ENCODER ORIENTATION

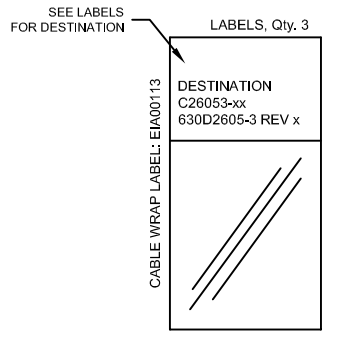


NOTE:
THIS DRAWING IS APPLICABLE WHEN CW
TRAVEL PRODUCES SCALE OR ENCODER
READHEAD MOTION AS SHOWN ABOVE
(PUSH ENCODER CABLE)

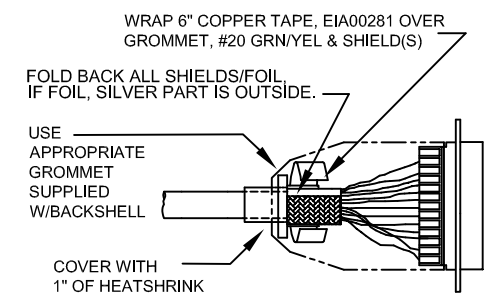
D-SUB CONNECTIONS

INSULATE ALL D-SUB SOLDER CONNECTIONS WITH
HEATSHRINK, TYPICALLY:
#24 AWG, EIW00100; #22 AWG, EIW00101

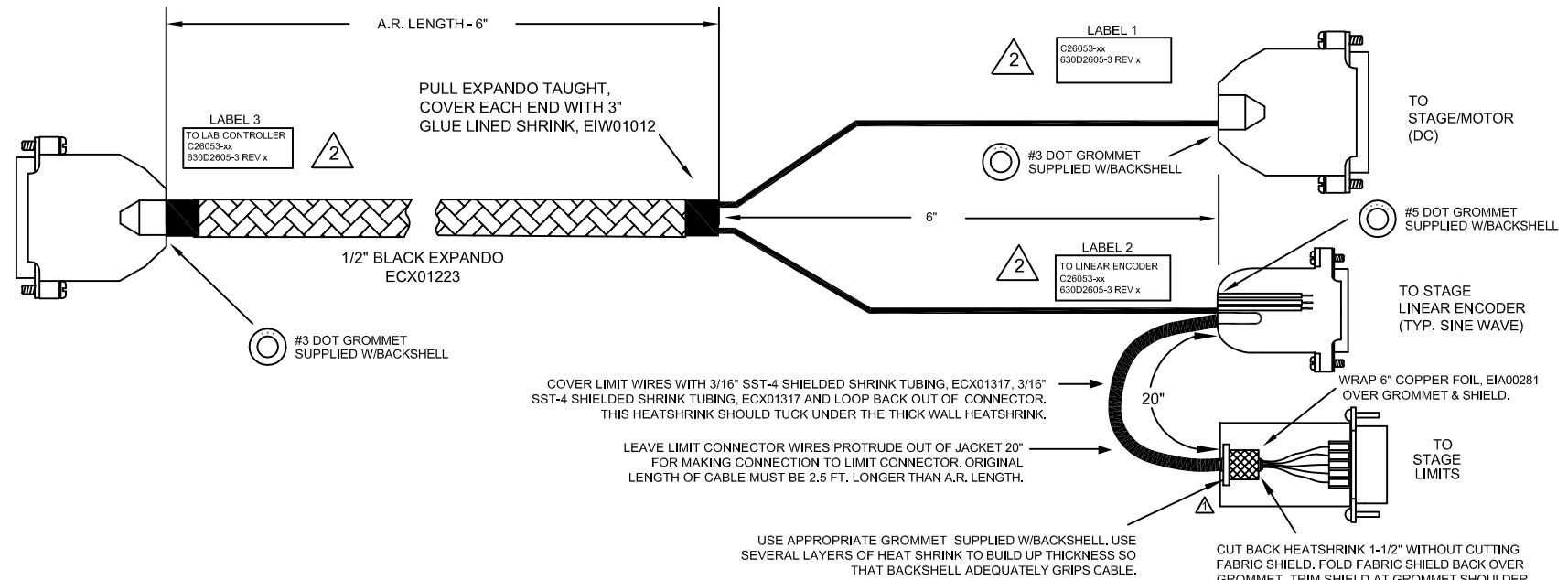
LABELS



SHIELD TERMINATION



LEAVE LIMIT CONNECTOR WIRES PROTRUDE OUT OF JACKET 20"
FOR MAKING CONNECTION TO LIMIT CONNECTOR, ORIGINAL
LENGTH OF CABLE MUST BE 2.5 FT. LONGER THAN A.R. LENGTH.



PROPRIETARY INFORMATION THIS DRAWING IS THE PROPERTY OF AEROTECH, INC. AND IS SUBMITTED IN CONFIDENCE AND SHALL NOT BE REPRODUCED NOR COPIED NOR DISCLOSED TO OTHERS UNDER PENALTY OF LAW.		AEROTECH, INC. 101 Zeta Drive Pittsburgh, PA, 15238 (412)963-7470 www.aerotech.com	
CABLE: (Lab to DC Foldback Stage) DC MTR + FB-25D-4D 15D 9D-5ARMS-PSH-MAX83DM			
TOLERANCES ON FRACTIONS DECIMALS ANGLES 0 TO 6 ±1/32 .XX ±01 ° 0-30' OVER 6 ± 1/16 .XXX ±.005		RMS FINISH <input checked="" type="checkbox"/> EXCEPT AS NOTED	
DRAWN JFM 12/29/2017 CHECKED JAB 12/29/2017 APPD. JFM 12/29/2017	PART CODE C26053	SIZE D	REV. 630D2605-3
SCALE NTS	FILE NAME 630D2605-3.Dwg	SHEET 1 OF 1	

