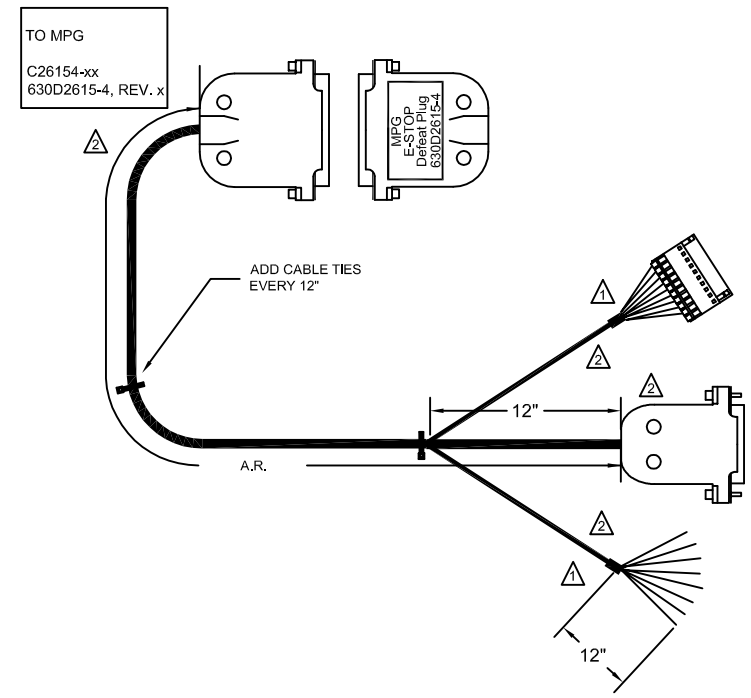
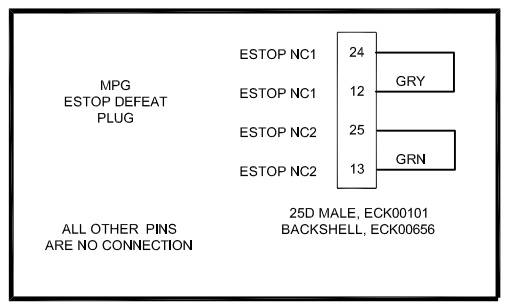


REVISIONS			
SYM	DESCRIPTION	APPROVAL	DATE



5 D-SUB CONNECTIONS

INSULATE ALL D-SUB SOLDER CONNECTIONS WITH HEATSHRINK, TYPICALLY: #24 AWG, EIW00100; #22 AWG, EIW00101

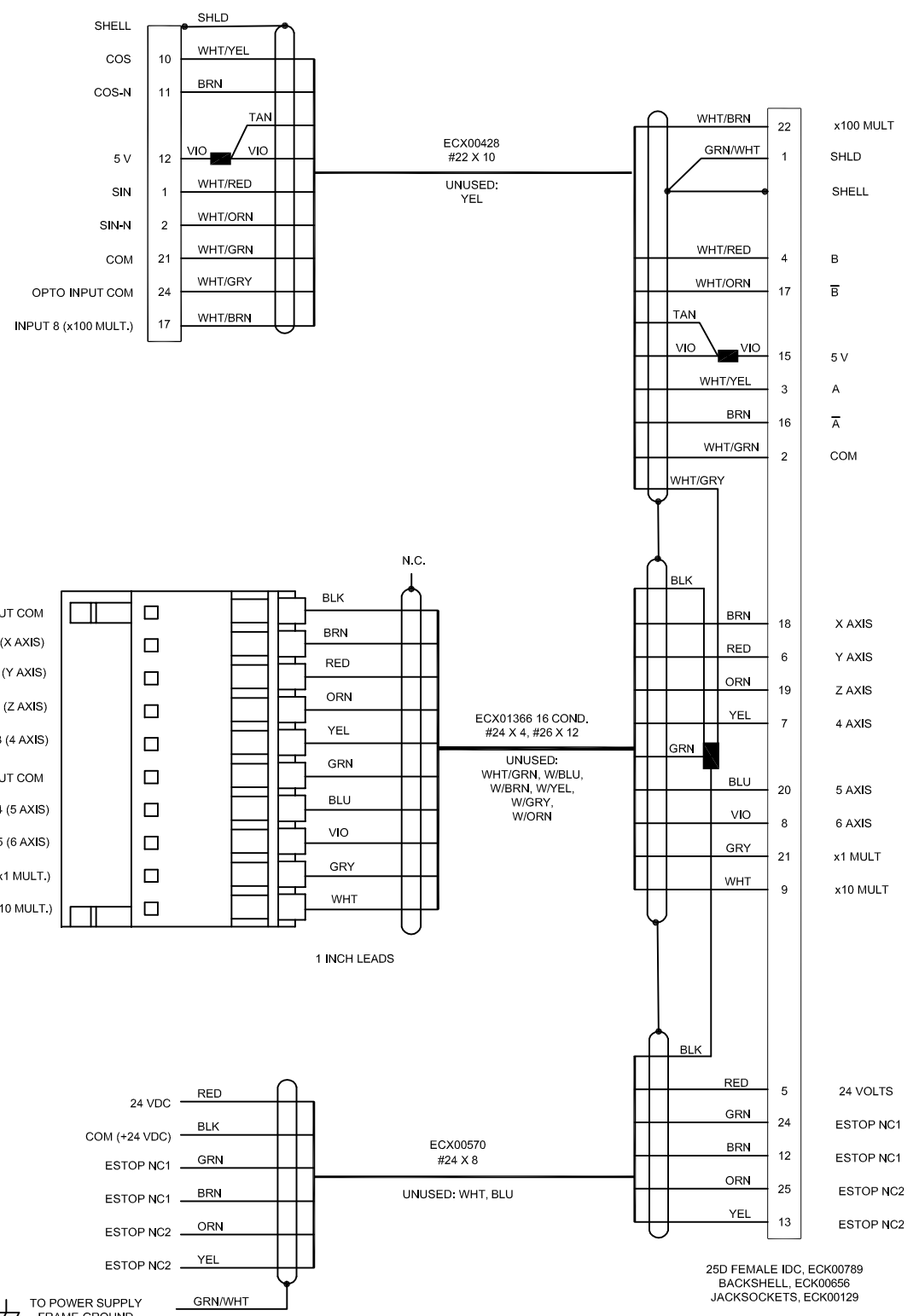
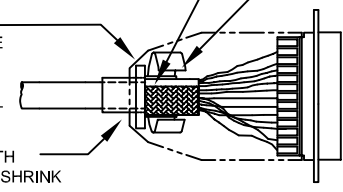
4 SHIELD TERMINATION

WRAP 6" COPPER TAPE, EIA00281 OVER GROMMET, SHIELDS.

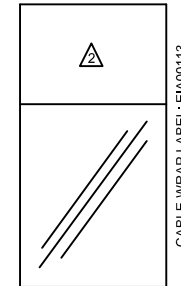
FOLD BACK ALL SHIELDS/FOIL. IF FOIL, SILVER PART IS OUTSIDE.

USE APPROPRIATE GROMMET SUPPLIED W/BACKSHELL

COVER WITH 1" OF HEATSHRINK



- ⚠ LABEL E-STOP CONNECTOR WITH EIA05112-9008
- ⚠ LABEL EACH CABLE WITH EIA00113, PER DEFINED TEXT
- ⚠ ADD HEATSHRINK OVER END OF CABLE BUNDLE



PROPRIETARY INFORMATION THIS DRAWING IS THE PROPERTY OF AEROTECH, INC. AND IS SUBMITTED IN CONFIDENCE AND SHALL NOT BE REPRODUCED NOR COPIED NOR DISCLOSED TO OTHERS UNDER PENALTY OF LAW.		AEROTECH, INC. 101 Zeta Drive Pittsburgh, PA, 15238-2897, USA (412) 963-7470 HTTP://www.Aerotech.com	
TOLERANCES ON FRACTIONS DECIMALS ANGLES 0 TO 6 3/32 .XX ±0.1 ± 0-30' OVER 6 ±1/16 .XXX ±.005		XC4 MPG INTERFACE CABLE -MAX50DM	
RMS FINISH	EXCEPT AS NOTED	PART CODE	SIZE
DRAWN	4/11/2018 JFM	C26154	D 630D2615-4
CHECKED	4/11/2018 JAB	SCALE	FILE NAME
APPD.	4/11/2018 JFM	NTS	630D2615-4.Dwg
SHEET		1 of 1	