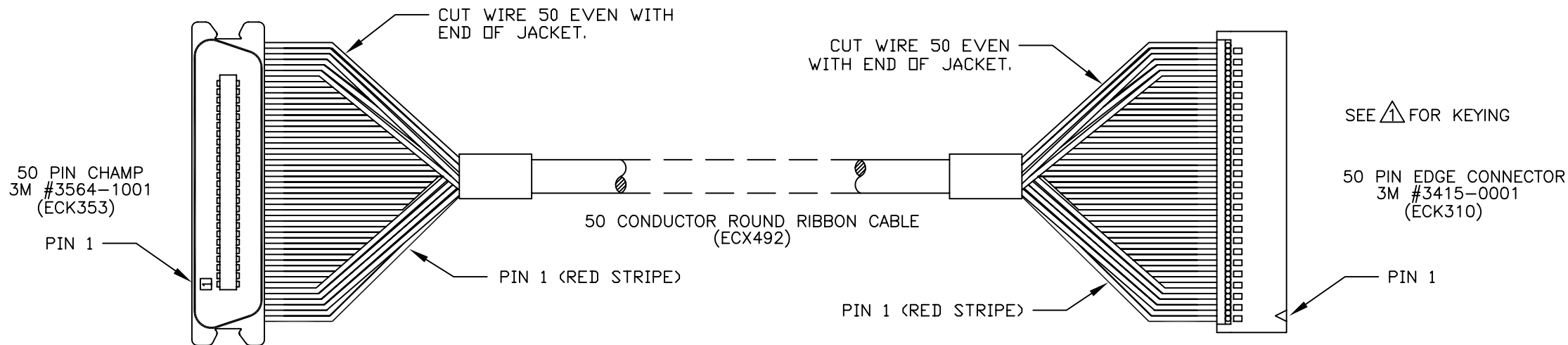
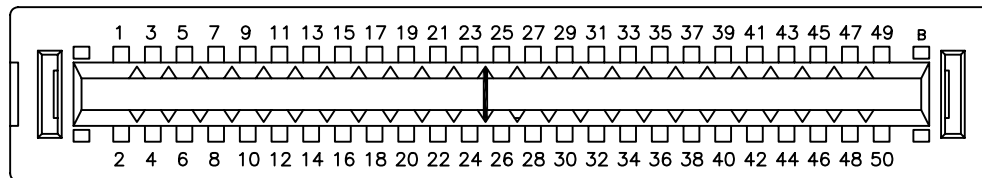


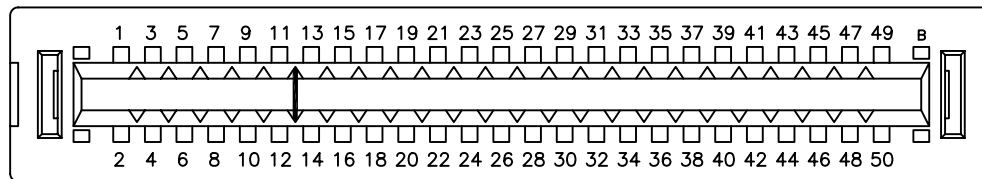
REVISIONS				
REV.	ZONE	DESCRIPTION	DATE	APPROVAL
B		ADDED ECN2737	6/97	WG



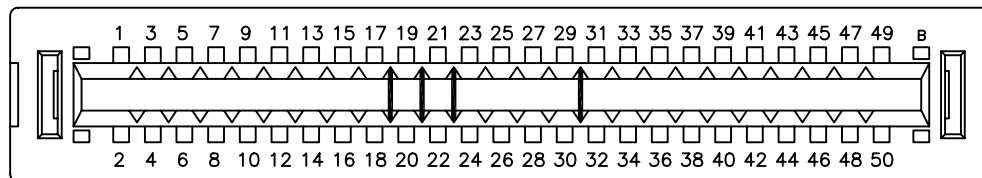
Δ INSTALL 3M #3439-2 (EIK467) AT POSITIONS SHOWN:



OPTO-22 P1 KEYING FOR PB24



OPTO-22 P1 KEYING FOR PB16A



OPTO-22 P1 KEYING FOR PB8

PROPRIETARY INFORMATION
THIS DRAWING IS THE PROPERTY
OF AEROTECH, INC. AND IS
SUBMITTED IN CONFIDENCE AND
SHALL NOT BE REPRODUCED NOR
COPIED NOR DISCLOSED TO OTHERS
UNDER PENALTY OF LAW.



© AEROTECH, INC. 101 Zeta Drive
Pittsburgh, PA. 15238
(412)963-7470 TWX710-795-3125

TOLERANCES ON
FRACTIONS DECIMALS ANGLES
0 TO 6 ± 1/32 .XX ± .01 ± 0-30'
OVER 6 ± 1/16 .XXX ± .005

RMS FINISH EXCEPT AS NOTED

DRAWN	WG	6/97
CHECKED	AGS	8/97
APPD.	AGS	8/97

<p>OPC CABLE (DR500 TO OPTO 22 RACK)</p>			
PART CODE	SIZE	REV.	
OPC	B	B	
SCALE NTS	FILE NAME	SHEET	
	630B1505B1.DWG	1 OF 1	