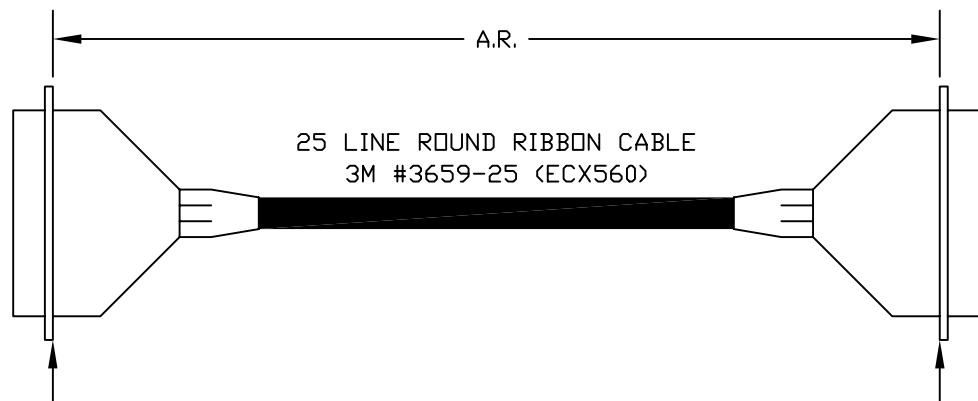


REVISIONS				
REV.	ZONE	DESCRIPTION	DATE	APPROVAL
A		ADDED ECN3377 (PICTORIAL DWG)	4/98	WG
B		ADDED ECN4907	7/00	NTC

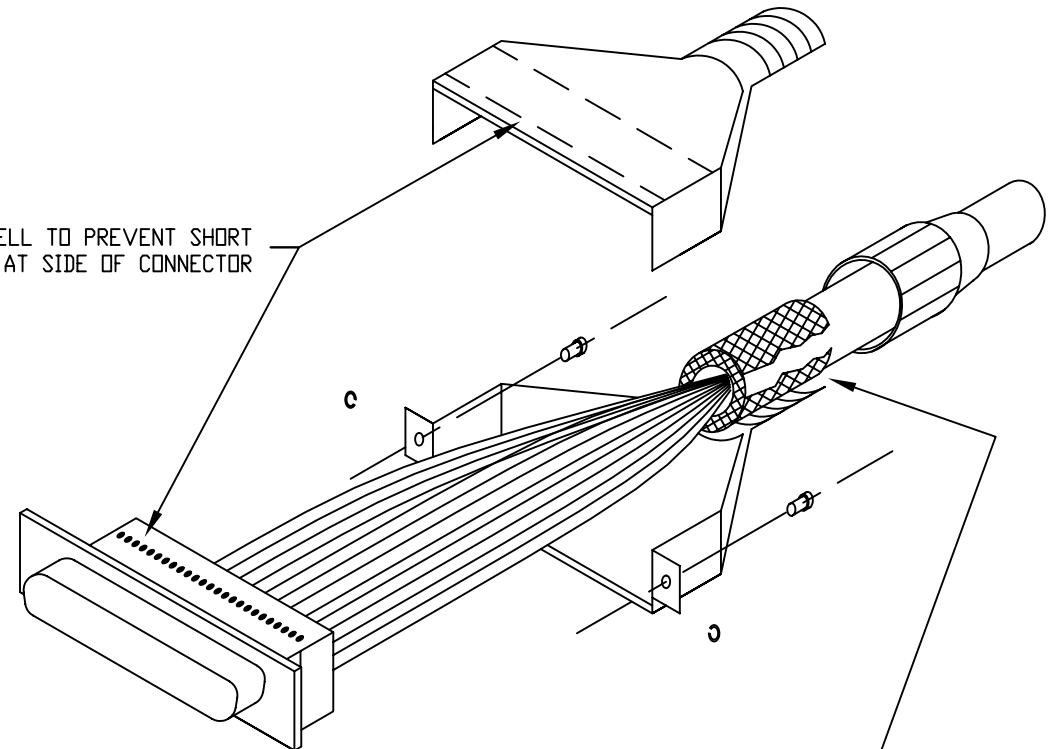
APPLY TAPE (EIA00255) TO BACKSHELL TO PREVENT SHORT FROM EXPOSED WIRE ENDS AT SIDE OF CONNECTOR



25 LINE ROUND RIBBON CABLE
3M #3659-25 (ECX560)


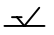
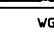
25 PIN D MALE CONNECTOR:
3M #8225-6060 (ECK105)
BACK SHELL:
3M #3357-9225 (ECK157)

25 PIN D FEMALE CONNECTOR:
3M #3825-6060 (ECK308)
BACK SHELL:
3M #3357-9225 (ECK157)



EXCESS FOIL SHIELD TO BE CUT OFF. BRAIDED SHIELD TO BE FOLDED BACK OVER JACKET APPROX 1". BACKSHELL HALVES TO BE PLACED OVER BRAIDED SHIELD AND SNAPPED TOGETHER. COVER NUT TO BE SCREWED ONTO BACKSHELL THREADING. NOTE: BACKSHELL MUST CONTACT BRAIDED SHIELD.

1 STARTING CABLE LENGTH = 6" LONGER THAN REQUIRED LENGTH.

PROPRIETARY INFORMATION THIS DRAWING IS THE PROPERTY OF AEROTECH, INC. AND IS SUBMITTED IN CONFIDENCE AND SHALL NOT BE REPRODUCED NOR COPIED NOR DISCLOSED TO OTHERS UNDER PENALTY OF LAW.		 AEROTECH, INC. 101 Zeta Drive Pittsburgh, PA. 15238 (412)963-7470 TWX710-795-3125	
TOLERANCES ON FRACTIONS DECIMALS ANGLES 0 TO 6 ± 1/32 .XX ± .01 ± 0-30° OVER 6 ± 1/16 .XXX ± .005		MXC EXTENSION CABLE	
RMS FINISH  EXCEPT AS NOTED		PART CODE MXC-X	
DRAWN  8/18/93		SIZE B	
CHECKED WG 4/98		630B1538	
APPD. WG 4/98		SCALE NTS FILE NAME 630B1538B1.dwg SHEET 1 OF 1	