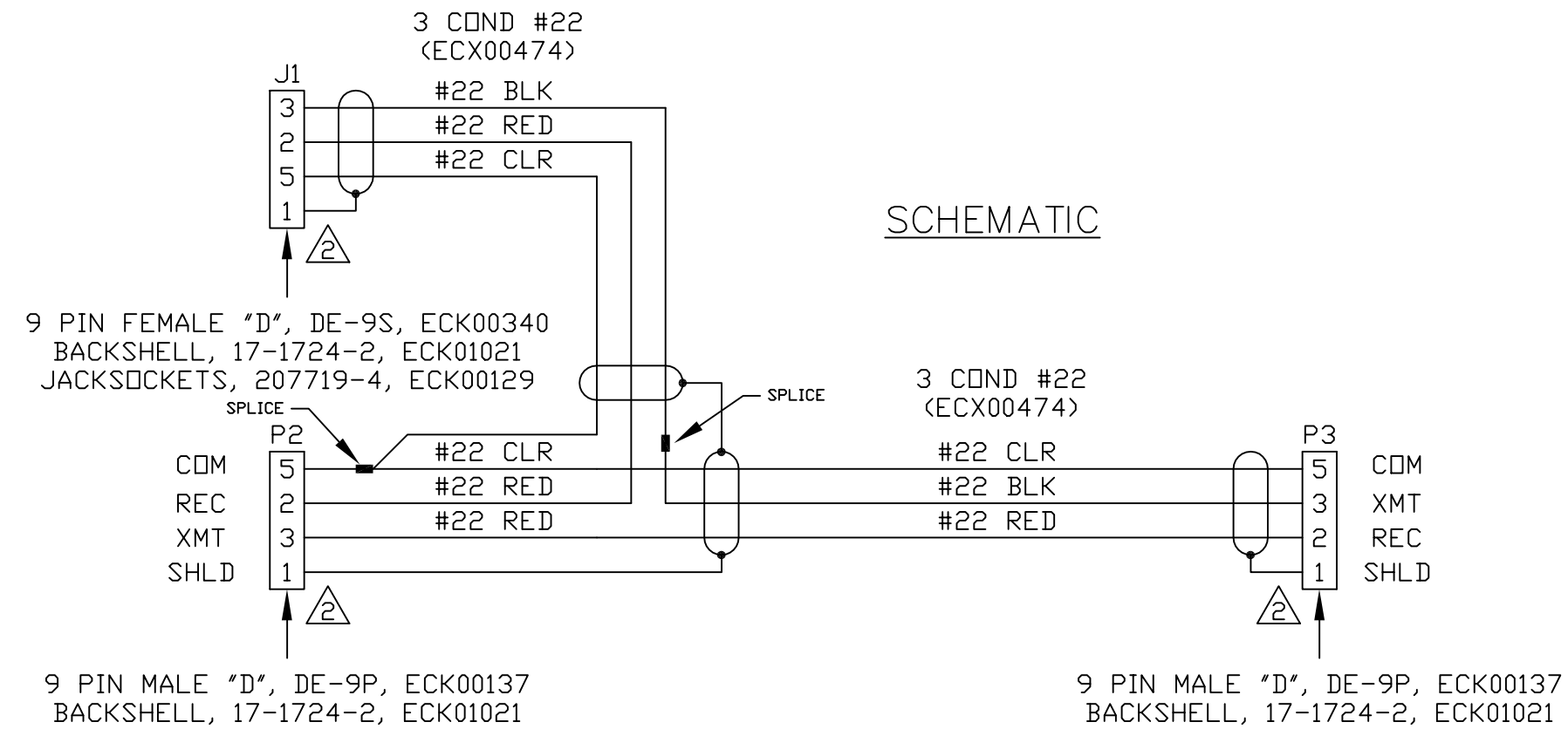


REVISIONS

SYM.	ZONE	DESCRIPTION	DATE	APPROVAL

SCHEMATIC



1 LABEL INFORMATION

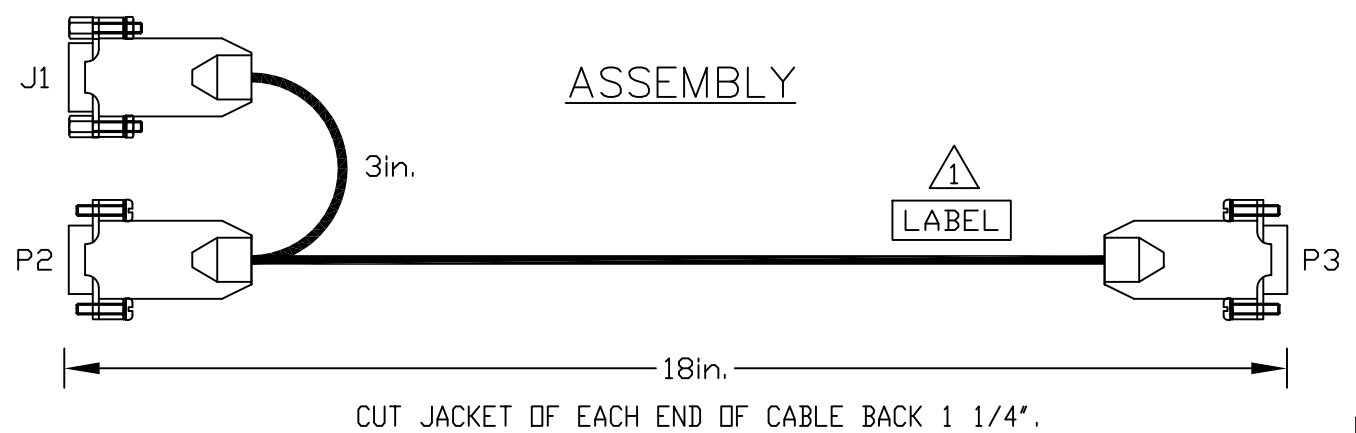
SD#  
 CBL232/DSY  
 630B1539-3 REV. 0

TYPE 2 LABEL-EIA113

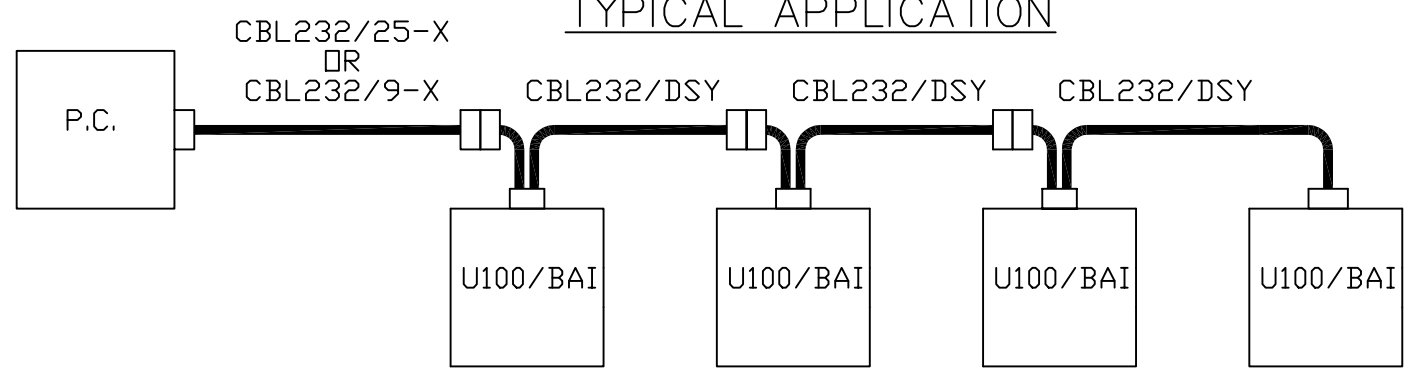
2 SHIELDING INFORMATION

SHIELD DRAIN WIRE TO PIN 1 ONLY.  
 NO CONNECTION OF SHIELD WIRE OR  
 FOIL TO BACKSHELL

ASSEMBLY



TYPICAL APPLICATION



PROPRIETARY INFORMATION  
 THIS DRAWING IS THE PROPERTY  
 OF AEROTECH, INC. AND IS  
 SUBMITTED IN CONFIDENCE AND  
 SHALL NOT BE REPRODUCED NOR  
 COPIED NOR DISCLOSED TO OTHERS  
 UNDER PENALTY OF LAW.



® AEROTECH, INC. 101 Zeta Drive  
 Pittsburgh, PA. 15238  
 (412)963-7470 TWX710-795-3125

TOLERANCES ON		
FRACTIONS	DECIMALS	ANGLES
0 TO 6 ± 1/32	.XX ± .01	± 0-30'
OVER 6 ± 1/16	.XXX ± .005	

RMS FINISH  EXCEPT AS NOTED

U100/BAI  
 RS-232 DAISY  
 CHAIN CABLE

DRAWN	EJB	6/13/00
CHECKED	AGS	6/13/00
APPD.	AGS	6/13/00

PART CODE	SIZE	REV.
CBL232/DSY	B	630B1539-3
SCALE 1 : 1	FILE NAME 630B1539-301.DWG	SHEET 1 of 1